

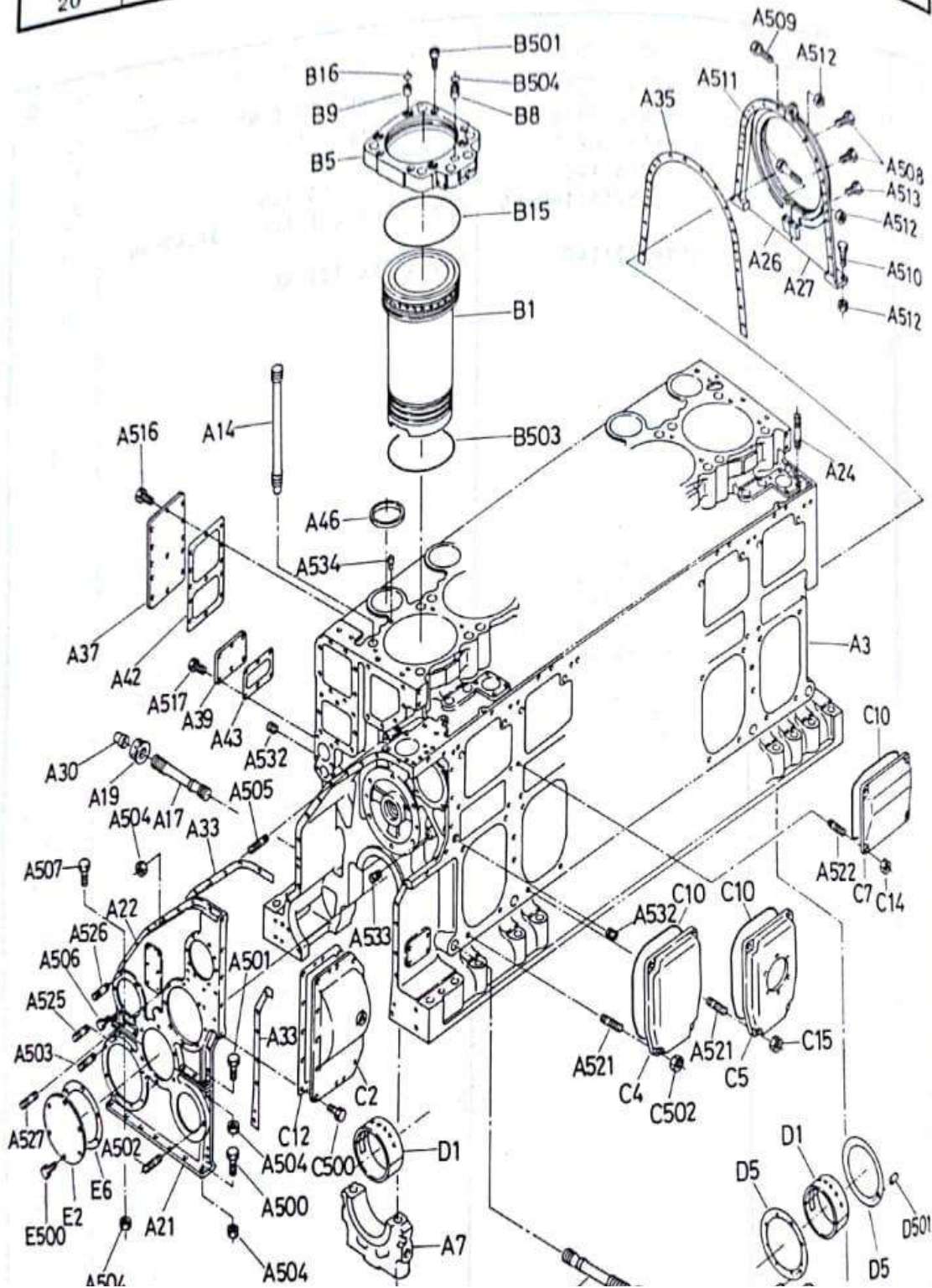
**DAIHATSU**

**ENGINE FRAME**

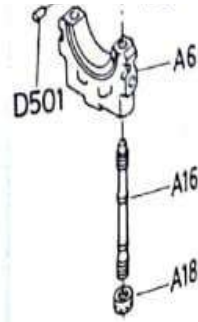
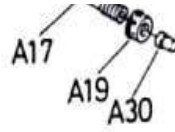
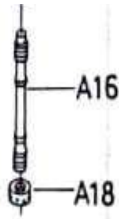
架 構

SECTION  
13  
SHEET  
20

TYPE  
DK-28



A304



DK-28 Z 94-4 A...0700 B...0104 C...0201 D...0300 E...0100

<b>ENGINE FRAME</b>			<b>TYPE</b> DK - 28	<b>SECTION 13</b> SHEET 21
<b>No.</b>	<b>Parts No.</b>	<b>Name Of Parts</b>	<b>Quantity</b>	
A3	E280270030A	ENG. FRAME - P - 6CYL		
A6	E280270060A	MAIN METAL CAP (REAR)		
A7	E280270070Z	MAIN METAL CAP		
A14	E280270140A	BOLT, CYLINDER HEAD		
A16	E280270160Z	METAL CAP BOLT		
A17	E280270170Z	SIDE BOLT		
A18	E325270070Z	CIRCULAR NUT M48X3.0		
A19	E325670200Z	CIRCULAR NUT M42X3.0		
A21	E280270201B	COVER, FRONT SIDE (UNDER)		
A22	E280270202B	COVER, FRONT SIDE (UNDER)		
A24	E280270240A	SPECIAL STUD M18X2.5X157		
A26	E280270251B	COVER, OIL CUT PLATE		
A27	E280270252B	COVER, OIL CUT PLATE - 2		
A30	E280270300Z	CAP, M42		
A33	E280270330B	GASKET, FRONT SIDE COVER		
A35	E280270350A	GASKET, OIL CUT PLATE		
A37	E280270370A	BLANK COVER - 1		
A39	E280270390Z	BLANK COVER - 3		
A42	E280270420A	GASKET - 1, BLANK COVER		
A43	E280270430Z	GASKET - 2, BLANK COVER		
A46	E280270460Z	SEAL, INTAKE MANIFOLD BEND		
A500	X200012045ZZ	BOLT M12X1.75X45		
A501	X200012045ZZ	BOLT M12X1.75X45		
A502	X210012078ZZ	STUD M12X1.75X78		

A503	X210012093ZZ	STUD M12X1.75X93	
A504	X220012000ZZ	NUT M12X1.75	
A505	X210012043ZZ	STUD M12X1.75X43	
A506	X341010030ZZ	KNOCK BOLT ASSY . 10X30	
A507	X345114025ZZ	REAMER BOLT (1) 14X25	
A508	X200012028ZZ	BOLT M12X1.75X28	
A509	X200012060ZZ	BOLT M12X1.75X60	
A510	X200012050ZZ	BOLT M12X1.75X50	
A511	X200012150ZZ	BOLT M12X1.75X150	
A512	X220012000ZZ	NUT M12X1.75	
A513	X341010030ZZ	KNOCK BOLT ASSY.10X30	
A516	X200012025ZZ	BOLT M12X1.75X25	
A517	X200012025ZZ	BOLT M12X1.75X25	
A519	X210012050ZZ	STUD M12X1.75X50	
A521	X210016072ZZ	STUD M16X2.0X72	
A522	X210012050ZZ	STUD M12X1 . 75X50	
A524	X210012066ZZ	STUD M12X1 . 75X66	
A525	X210012043ZZ	STUD M12X1 . 75X43	
A526	X210012043ZZ	STUD M12X1 . 75X43	
A527	X210012046ZZ	STUD M12X1 . 75X46	

<b>ENGINE FRAME</b>			<b>TYPE</b>	<b>SECTION 13</b>
			<b>DK - 28</b>	<b>SHEET 22</b>
<b>No.</b>	<b>Parts No.</b>	<b>Name Of Parts</b>	<b>Quantity</b>	
A528	X210012046ZZ	STUD M12X1.75X46		
A529	X570003000ZZ	HEX.PLUG 3/8		
A530	Z565001700ZZ	GASKET 17		
A532	Z571506000ZZ	TAPER PLUG (5) 3/4		
A533	Z571502000ZZ	TAPER PLUG (5) 1/4		
A534	Z336010025ZZ	STEPPED PIN 10X25		
A536	X213027210ZZ	JACK BOLT M27X3.0X210		
B1	E285070010A	CYLINDER LINER (TFP)		
B5	E285070050A	HOLDER, CYL.LINER		
B8	E285070080Z	S.A.CONNECTOR		
B9	E285070090Z	C.W.CONNECTOR		
B15	E285070150Z	O RING		
B16	E280230350Z	O RING		

B501	Z212012070ZZ	HEX . SOCKET BOLT M12X70	
B503	Z560732357ZZ	O RING	
B504	Z560103035ZZ	O RING	
C2	E280370020Z	SIDE COVER, TIMING GEAR	
C4	E280370040A	SIDE COVER (1), ENGINE FRAME	
C5	E280370050A	SIDE COVER (2), ENGINE FRAME	
C7	E280370070Z	SIDE COVER, CAM SHAFT	
C10	E280370100Z	O RING	
C12	E280370120Z	GASKET, TIMING GEAR SIDE COVER	
C14	E400300180Z	FLANGE NUT M12X1.75	
C15	E280370150	NUT (2) M16X2.0	
C500	X200012028ZZ	BOLT M12X1.75X28	
D1	E280770010B	MAIN BEARING SHELL	
D5	E280770050A	THRUST BEARING	
D501	Z335008020ZZ	STRAIGHT PIN 8X20	
E2	E283370020Z	BLANK COVER 330	
E6	E283370060Z	GASKET 265/330	
E500	X200012020ZZ	BOLT M12X1.75X20	
		CYLINDER LINER ASSY. COMPRISED OF ITEM No.B1, B15, B503	

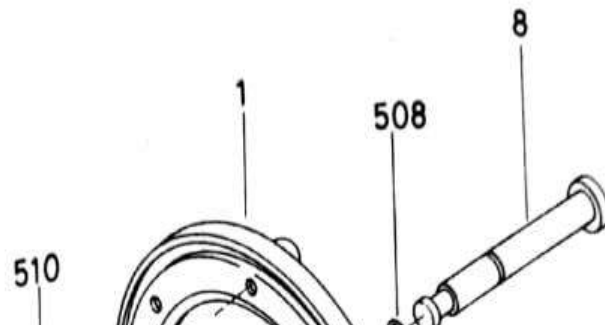
**DAIHATSU**

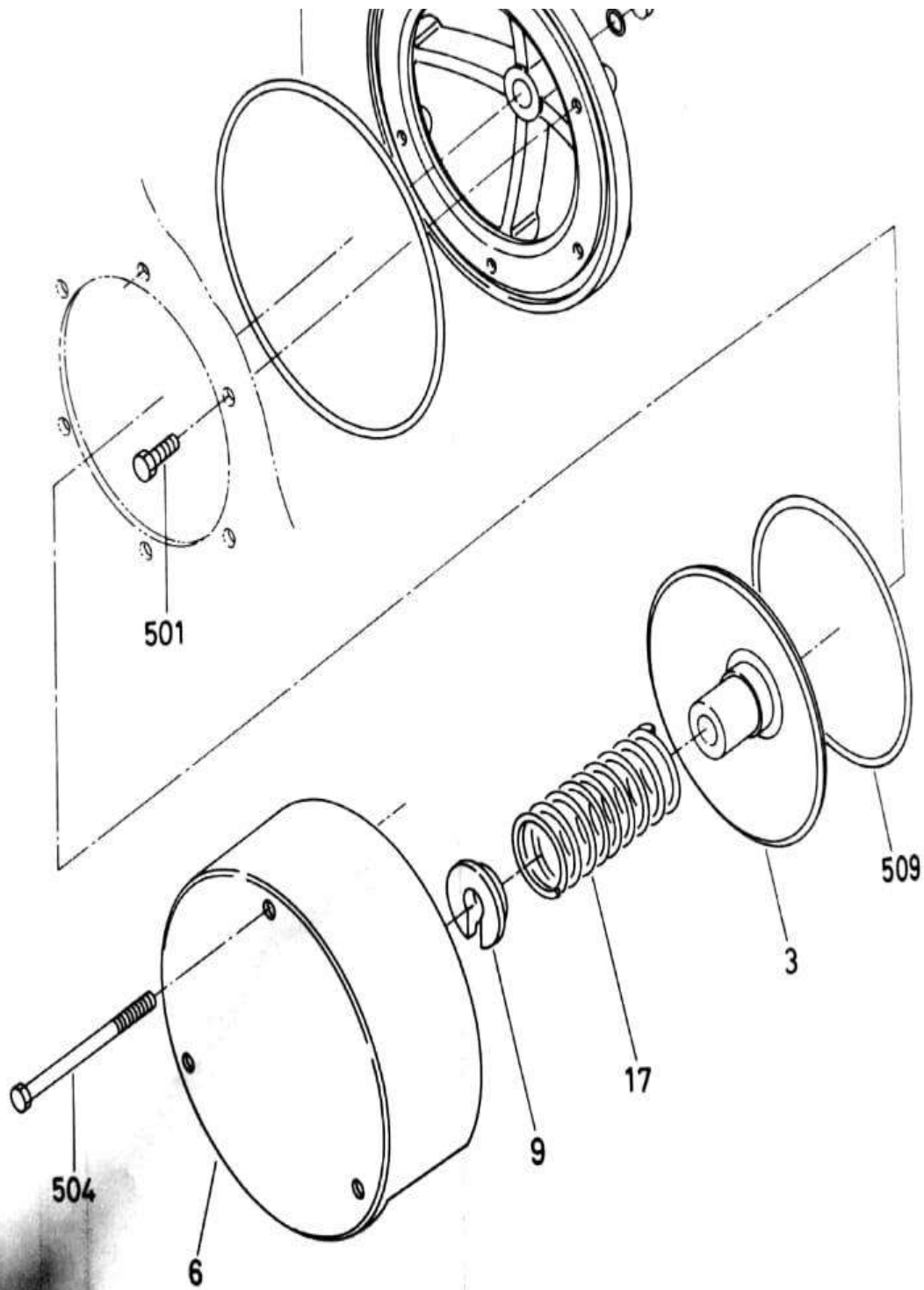
SECTION  
13  
SHEET  
30

TYPE  
DK-28

ENGINE FRAME SAFETY VALVE

架構安全弁





DK-28 Z 94-4 0500

## ENGINE FRAME SAFETY VALVE

TYPE  
DK - 28

SECTION 13  
SHEET 31

No.	Parts No.	Name Of Parts	Quantity
-----	-----------	---------------	----------

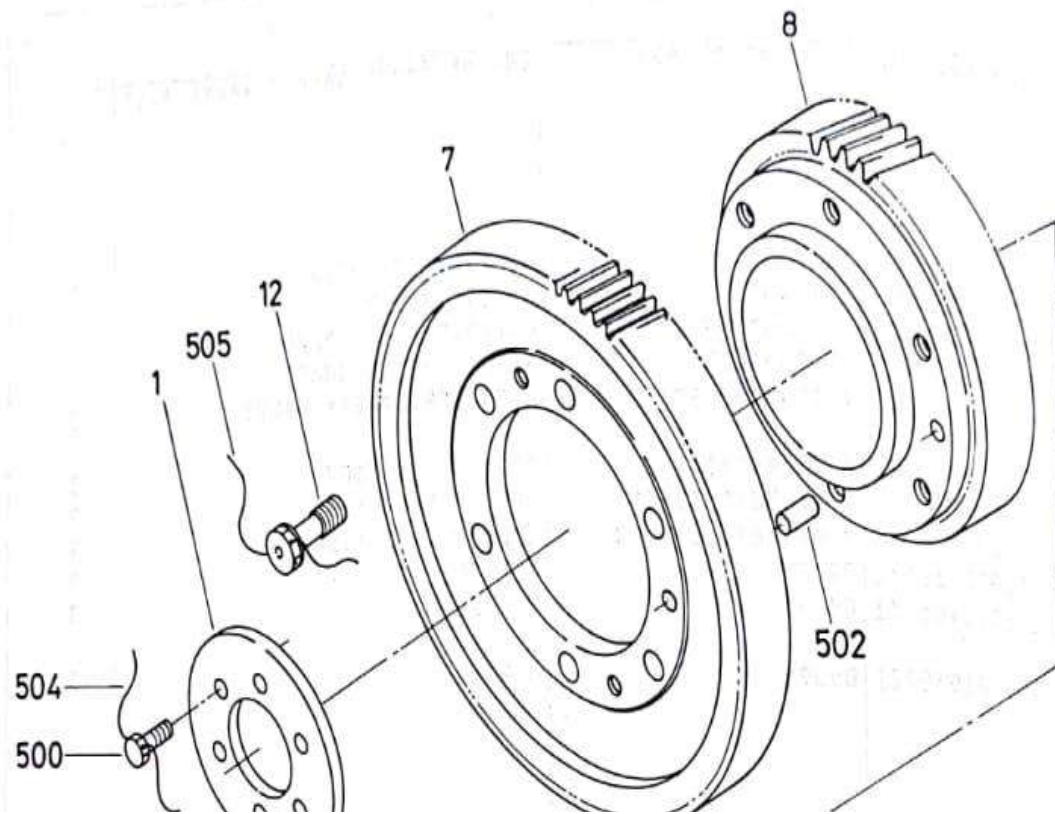
	C031590010Z	ENGINE FRAME SAFETY VALVE ASSY	
1	C031510010Z	SEAT, SAFETY VALVE	
3	C031510030Z	SAFETY VALVE	
6	C031570060A	COVER, SAFETY VALVE	
8	C031540080Z	SAFETY VALVE SHAFT	
9	C031540090Z	RETAINER, SAFETY VALVE	
17	C031570171Z	SPRING 5X40X102	
501	X200008020ZZ	BOLT M8X1 . 25X20	
504	X200008100ZZ	BOLT M8X1 . 25X100	
508	Z560101124ZZ	O RING	
509	Z560114057ZZ	O RING	
510	Z560219556ZZ	O RING	

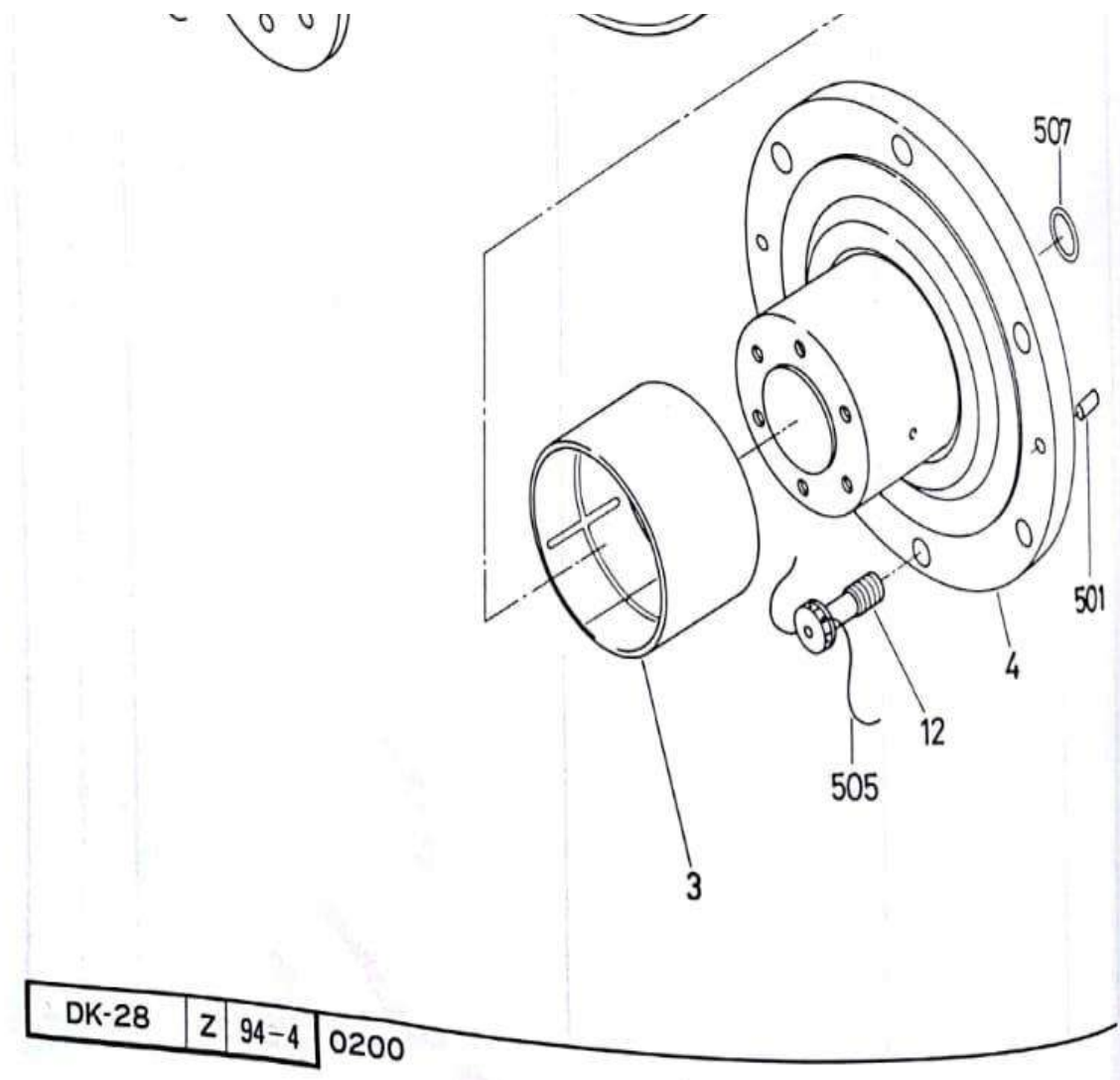
**DAIHATSU**

TIMING GEAR

調時齒車

SECTION 13	TYPE DK-28
SHEET 40	





DK-28 Z 94-4 0200

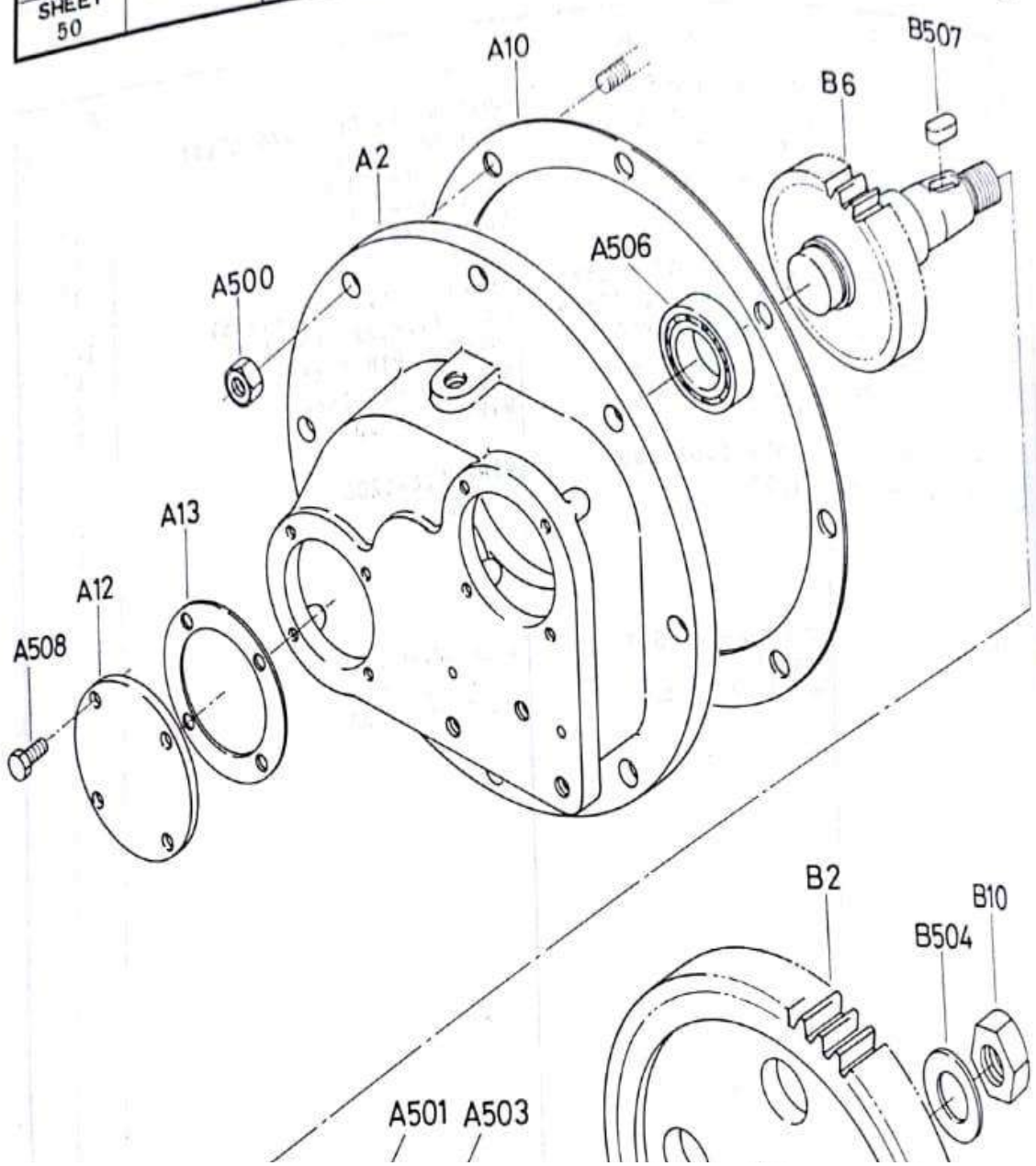
<b>TIMING GEAR</b>			<b>TYPE</b>	<b>SECTION 13</b>
			<b>DK - 28</b>	<b>SHEET 41</b>
<b>No.</b>	<b>Parts No.</b>	<b>Name Of Parts</b>	<b>Quantity</b>	
1	E283570010Z	SUPPORTER, IDLE GEAR SHAFT		
3	E283570030Z	IDLE GEAR BUSH		
4	E283570040A	IDLE GEAR SHAFT		
7	E283570070Z	IDLE GEAR (1)		
8	E283570080Z	IDLE GEAR (2)		
12	E283570120A	SPECIAL BOLT M22X2 . 5X61		
500	X200112024ZZ	BOLT (1) M12X1 . 75X24		
501	Z336012030ZZ	STEPPED PIN 12X30		
502	Z336016040ZZ	STEPPED PIN 16X40		
504	Z321012050DZ	WIRE 1.2X500		
505	Z321016120DZ	WIRE 1.6X1200		

507	Z560103035ZZ	O RING	
		IDLE GEAR ASSY COMPRISED OF ITEM 7 -12, 502, 505	No.3,

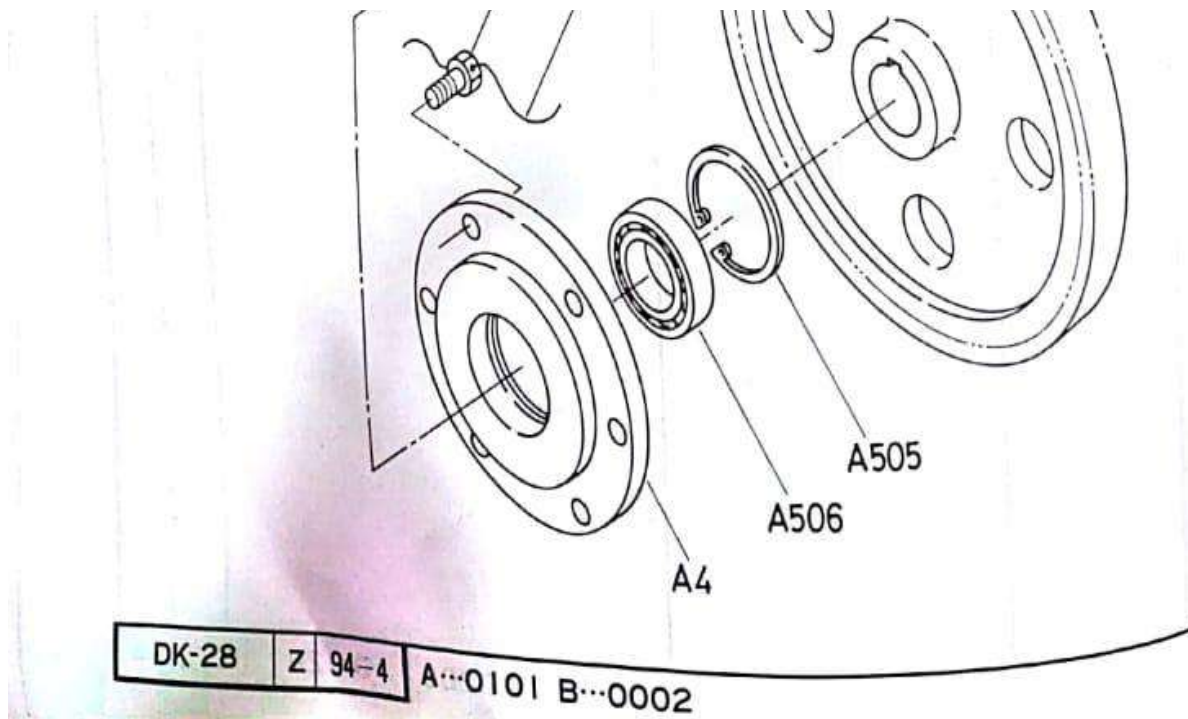
**DAIHATSU**

OIL PUMP GEAR CASE  
オイルポンプ歯車室

SECTION 13  
SHEET 50  
TYPE DK-28





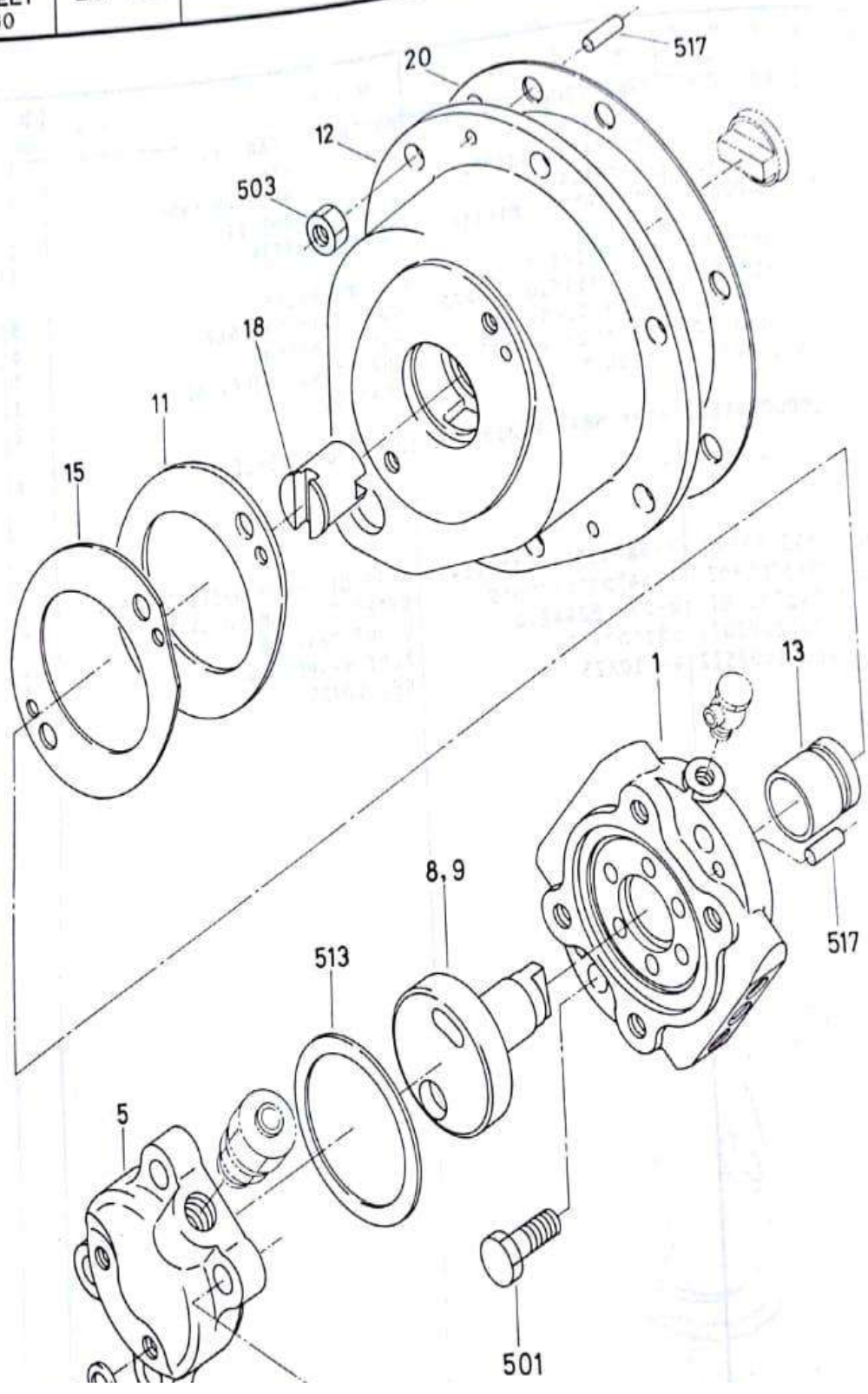


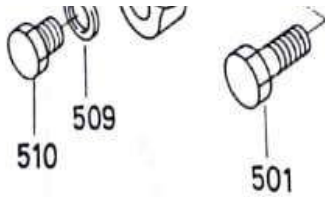
<b>OIL PUMP GEAR CASE</b>			TYPE DK - 28	SECTION 13
				SHEET 52
No.	Parts No.	Name Of Parts	Quantity	
A2	E283870020Z	OIL PUMP GEAR CASE		
A4	E283870040Z	BEARING CASE		
A10	E283870100Z	GASKET, PUMP GEAR CASE		
A12	C263400050Z	BLANK FLANGE 114		
A13	C263400060A	GASKET 81/114		
A500	X220012000ZZ	NUT M12X1.75		
A501	X200110022ZZ	BOLT (1) M10X1.5X22		
A503	Z321016100ZZ	WIRE 1.6X1000		
A505	Z412006200ZZ	SNAP RING (HOLE) 62		
A506	Z451160070ZZ	BEARING		
A508	X200008015ZZ	BOLT M8X1.25X15		
B2	E284370020Z	GEAR, OIL PUMP DRIVING (Z = 55)		
B6	E284370060Z	SHAFT, OIL PUMP DRIVING		
B10	E284370100Z	U NUT M24X2.0		
B504	Z300024000ZZ	FLAT WASHER 24		
B507	Z400010025ZZ	KEY 10X25		

**DAIHATSU**

STARTING AIR ROTARY VALVE  
起動回轉弁

SECTION 13	TYPE DK-28
SHEET 60	





DK-28	Z	94-4	0200
-------	---	------	------

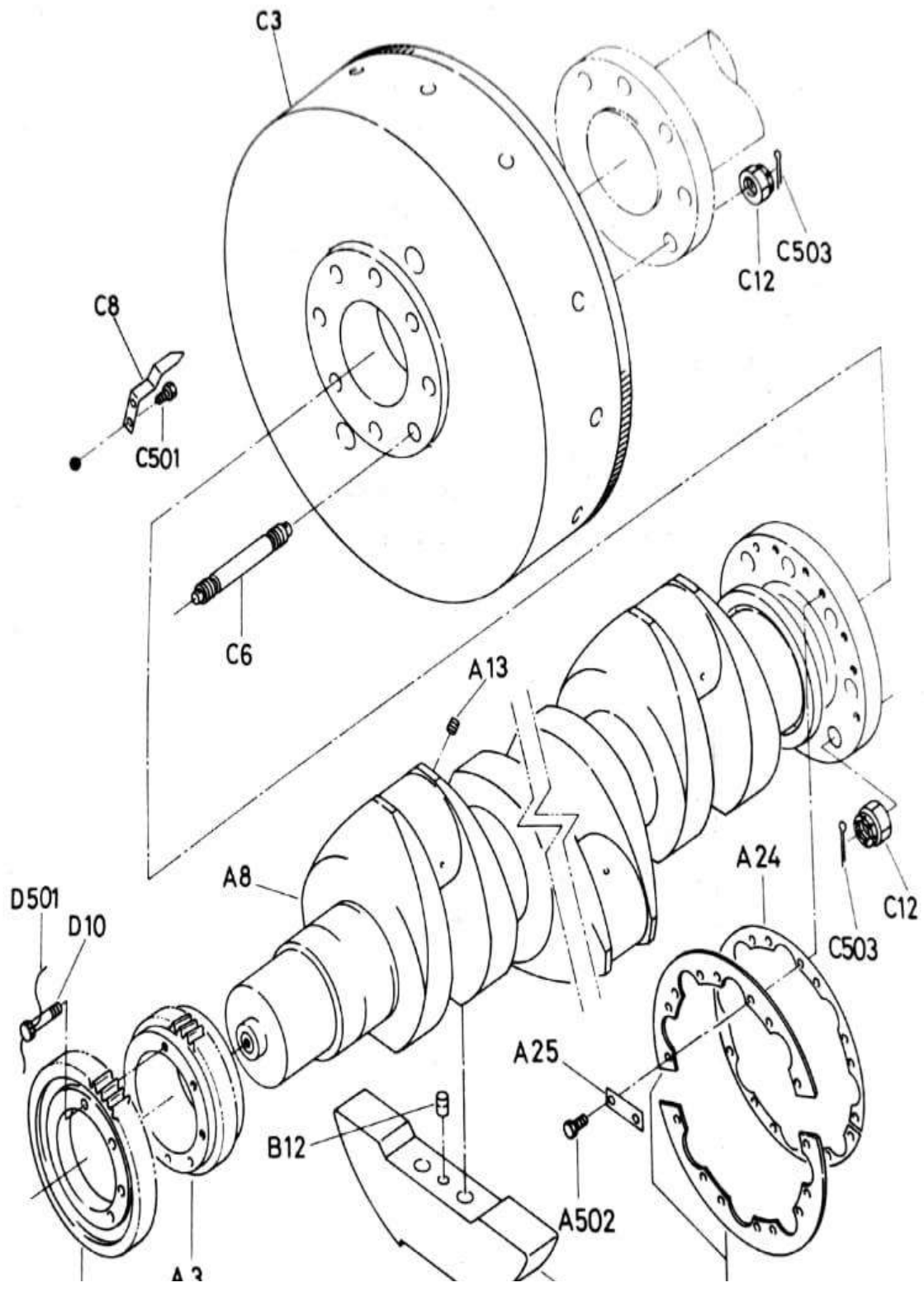
<b>OIL PUMP GEAR CASE</b>			<b>TYPE</b>	<b>SECTION 13</b>
			<b>DK - 28</b>	<b>SHEET 61</b>
<b>No.</b>	<b>Parts No.</b>	<b>Name Of Parts</b>	<b>Quantity</b>	
1	E321370010A	ROTARY VALVE BODY - 6D		
5	C261300050A	COVER, ROTARY VALVE		
8	E321370080Z	ROTARY VALVE (1)		
9	E321370090Z	ROTARY VALVE (2)		
11	C261300150Z	ADJASTING SHIM, ROTARY VALVE		
12	E281370120Z	MOUNT, ROTARY VALVE		
13	E321370130Z	BUSH, ROTARY VALVE		
15	E321370150Z	GASKET, ROTARY VALVE BODY		
18	E281370180Z	COUPLING, ROTARY VALVE		
20	E281370200Z	GASKET, ROTARY VALVE MOUNT		
501	X200012035ZZ	BOLT M12X1 . 75X35		
503	X220012000ZZ	NUT M12X1 . 75		
509	Z565001300ZZ	GASKET 13		
510	X570002000ZZ	HEX. PLUG 1/4		
513	Z565008500ZZ	GASKET 85		
517	Z336008025ZZ	STEPPED PIN 8X25		
		S.A. ROTARY VALVE ASSY. COMPRISED OF ITEM No. 1 ~ 18 (WITHOUT No. 9, 12)      No. 501 ~ 513 (WITHOUT No. 503)		
		S.A. ROTARY VALVE ASSY. COMPRISED OF ITEM No. 1 ~ 18 (WITHOUT No. 8, 12)      No. 501 ~ 513 (WITHOUT No. 503)		

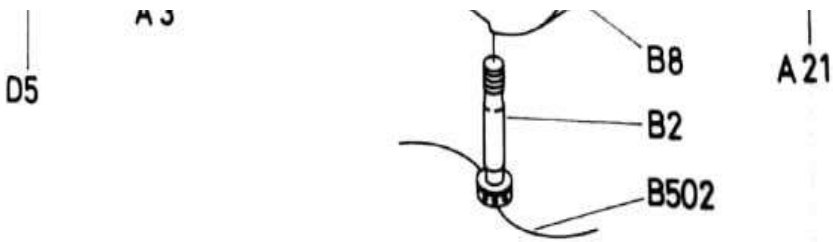
**DAIHATSU**

SECTION  
13  
SHEET  
70

TYPE  
DK-28

CRANKSHAFT  
クランク軸





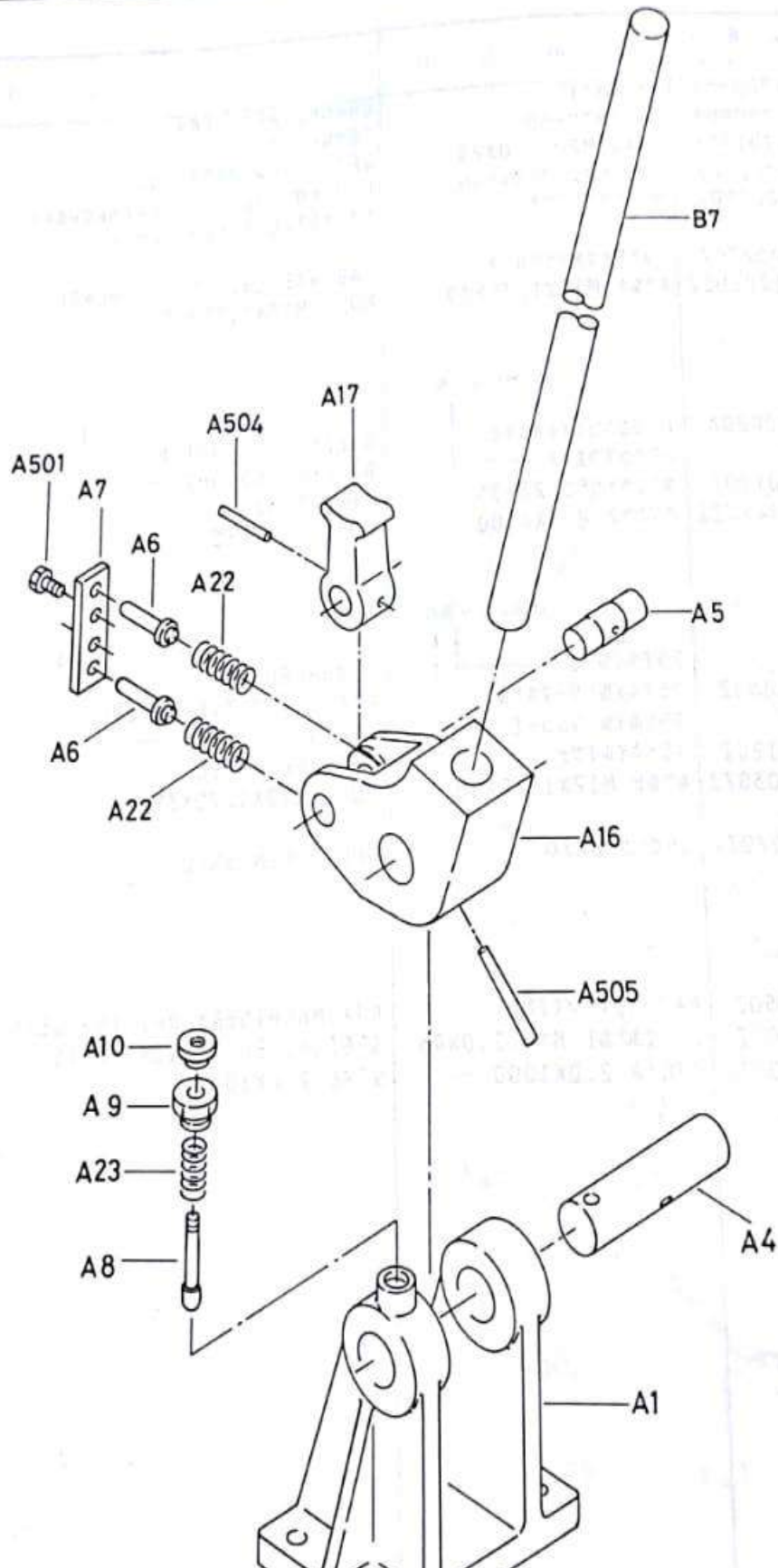
DK-28 Z 94-4 A...0400 B...0300 C...0101 D...0000

<b>CRANKSHAFT</b>			TYPE DK - 28	SECTION 13 SHEET 71
No.	Parts No.	Name Of Parts	Quantity	
A3	E280670030Z	CRANKSHAFT GEAR		
A8	E280670080A	CRANKSHAFT - 6D		
A13	E280670130A	SET SCREW M20X2 . 0X25		
A21	E280670210Z	L.O.CUT PLATE-R, CRANKSHAFT		
A24	E520600260Z	GASKET, L.O.CUT PLATE		
A25	E520600270Z	TAB WASHER, L.O.CUT PLATE		
A502	X200012020ZZ	BOLT M12X1 .75X20		
B2	E280870020A	BALANCE WEIGHT BOLT		
B8	E28087	BALANCE WEIGHT (DEPEND ON SPEC)		
B12	E280870120Z	PIN 25X35		
B502	Z321023450ZZ	WIRE 2.3X4500		
C3	E28097	FLYWHEEL (DEPEND ON SPEC)		
C6	E280970060Z	REAMER BOLT, FLYWHEEL		
C8	E28097	TIMING POINTER (DEPEND ON SPEC)		
C12	E520900120Z	NUT, FLYWHEEL		
C501	X200012038ZZ	BOLT M12x1. 75X38		
C503	Z320006070ZZ	SPLIT PIN 6X70		
D5	E283670050Z	AUX. MACHINERY DRIVING GEAR		
D10	E283670100Z	SPECIAL BOLT M16X2.0X45		
D501	Z321020100ZZ	WIRE 2.0X1000		

**DAIHATSU**

SECTION 13 TYPE

FLYWHEEL TURNING DEVICE  
カーニング装置





DK-28 | Z | 94-4 | A...0300 B...0200

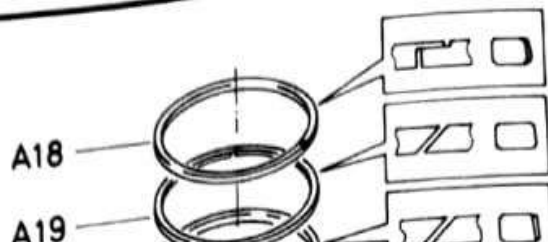
FLYWHEEL TURNING DEVICE			TYPE DK - 28	SECTION 13 SHEET 81
No.	Parts No.	Name Of Parts	Quantity	
	C001390010B	FLYWHEEL TURNING DEVICE ASSY -1		
A1	C001310010A	FULCRUM		
A4	C001340010A	FOEK LEVER SHAFT		
A5	C001340020A	CLAW LEVER SHAFT		
A6	C001340030Z	PUSH ROD		
A7	C001340040Z	GUIDE PLATE, PUSH ROD		
A8	C001340050Z	STOPPER		
A9	C001340060Z	GUIDE STOPPER		
A10	C001340070Z	KNOB		
A16	C001370010A	FORK LEVER		
A17	C001370020A	CLAW LEVER		
A22	C001379801Z	SPRING 1.3X15 . 5X57		
A23	C001379802Z	SPRING 0.7X10X21		
A501	X200008018ZZ	BOLT M8X1 . 25X18		
A504	Z330006050ZZ	TAPER PIN 6X50		
A505	Z330008080ZZ	TAPER PIN 8X80		
B7	C001470070Z	TURNING BAR 34X1500		

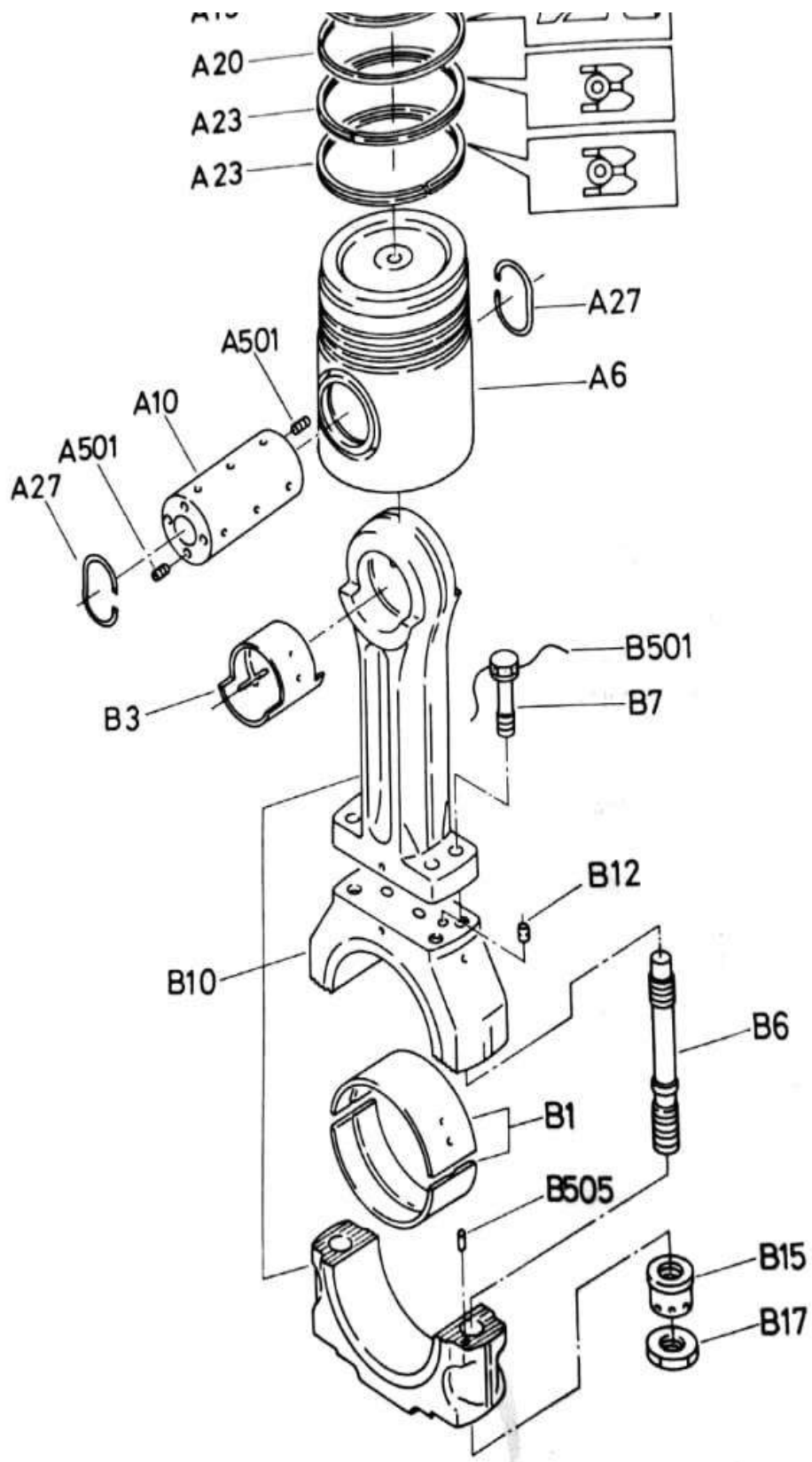
**DAIHATSU**

SECTION 13  
SHEET 90C

TYPE DK-28

PISTON & CONNECTING ROD  
ピストン・連接棒





DK-28 | Z 94-4 | A...0202 B...0101



# PISTON & CONNECTING ROD

DK - 28

SHEET 91 C

No.	Parts No.	Name Of Parts	Quantity
A6	E285170060Z	PISTON (GROOVE PLATING)	
A10	E285170100Z	PISTON PIN	
A18	E285170180Z	PISTON RING (1) EB	
A19	E285170190Z	PISTON RING (2) BF	
A20	E285170200Z	PISTON RING (3) TP	
A23	E285170230Z	OIL RING (COIL - 8)	
A27	E285170270Z	SNAP RING, PIN	
A501	X251210010ZZ	SET SCREW (2) M10X1 . 5X10	
B1	E285270010A	CRANKPIN BEARING SHELL	
B3	E285270030Z	PISTON PIN BUSH	
B6	E285270060Z	BOLT - 1, CONNECTING ROD	
B7	E285270070A	BOLT - 2, CONNECTING ROD	
B10	E285270100A	CONNECTING ROD	
B12	E205250080Z	SPECIAL STRAIGHT PIN 12X28	
B15	E325670200Z	CIRCULAR NUT M42X3.0	
B17	E320250260Z	PALL NUT M42X3.0	
B501	Z321018020ZZ	WIRE 1.8X200	
B505	Z335006016ZZ	STRAIGHT PIN 6X16	
		PISTION ASSY. OF ITEM	COMPRISED No. A6 ~ A27, A501
		PISTION ASSY. OF ITEM	COMPRISED No. A18 ~ A23
		PISTION ASSY. OF ITEM	COMPRISED No. B3 ~ B17, B501, B505

**DAIHATSU**

SECTION  
13  
SHEET  
100

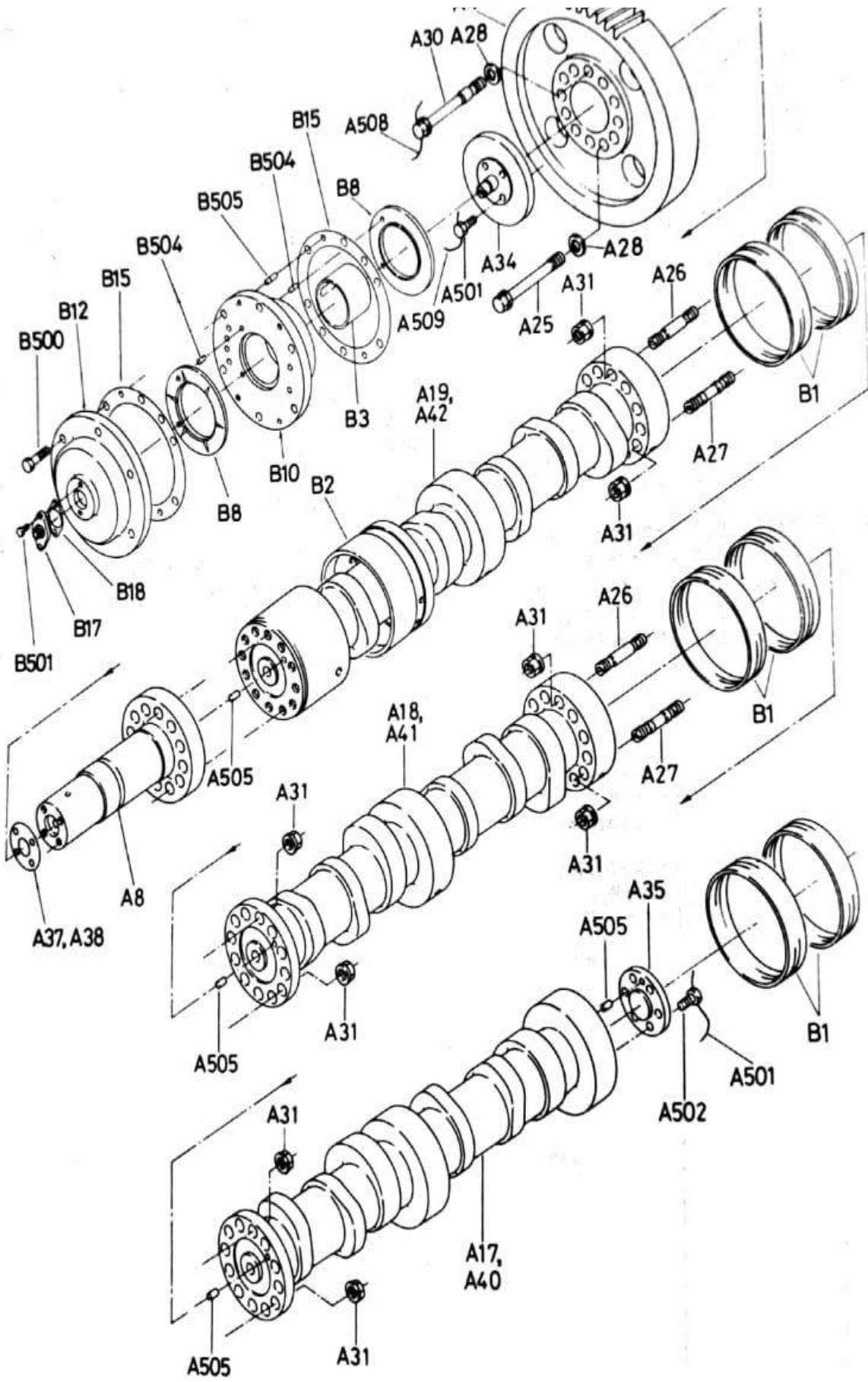
TYPE  
DK-28

CAMSHAFT

カ ム 軸

A4





DK-28

Z

94-4

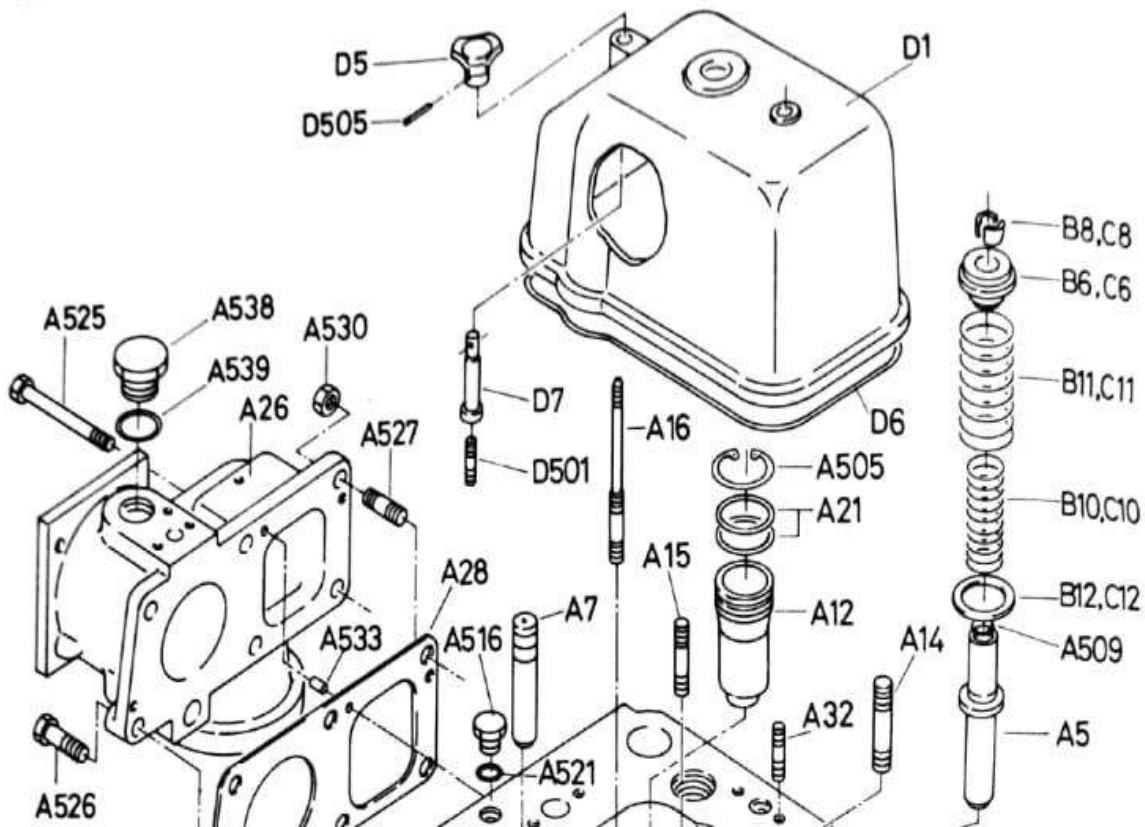
A...0300 B...0200

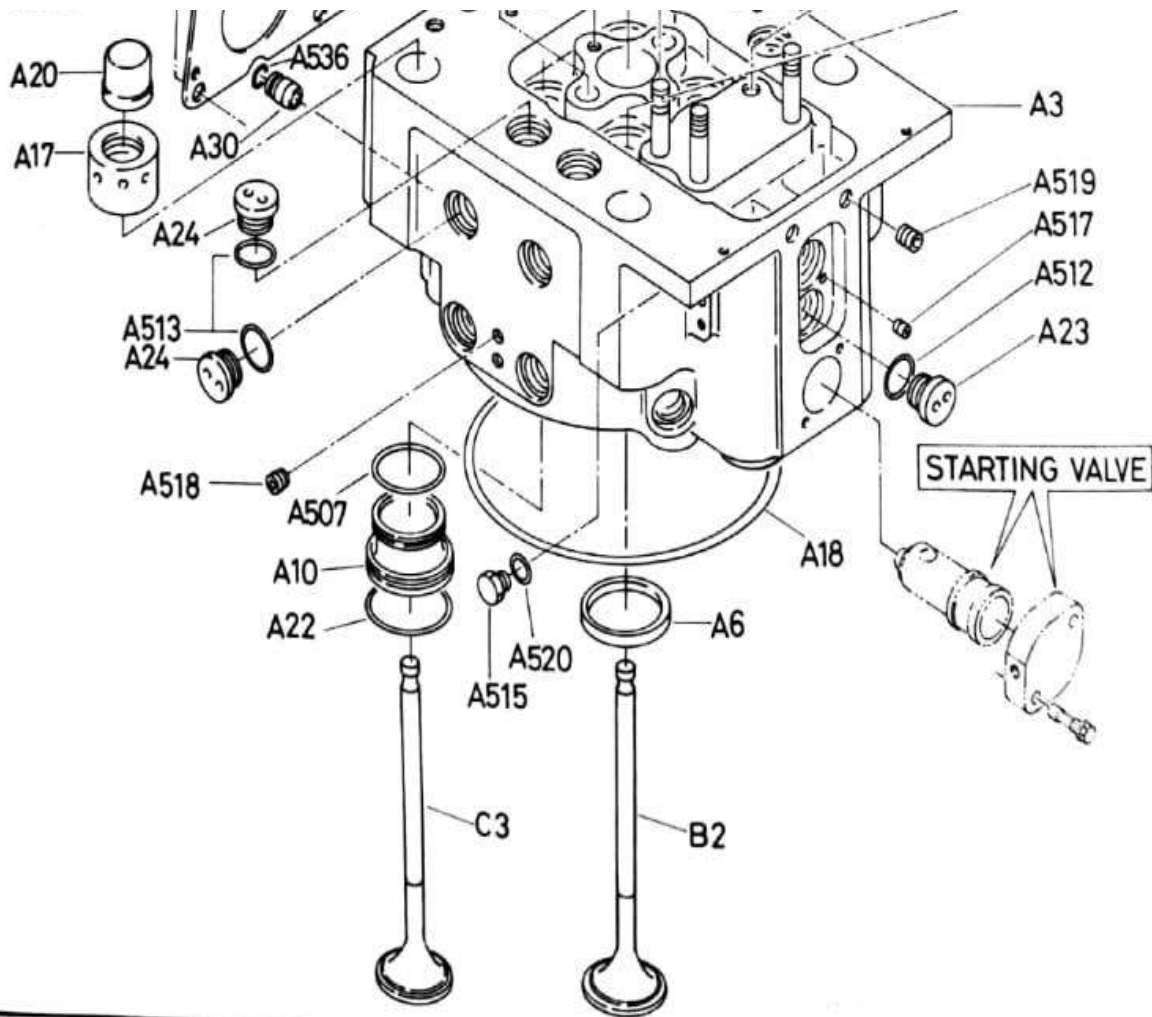
<b>CAMSHAFT</b>			<b>TYPE</b> DK - 28	<b>SECTION 13</b> SHEET 101
<b>No.</b>	<b>Parts No.</b>	<b>Name Of Parts</b>	<b>Quantity</b>	
A4	E281170040A	CAMSHAFT GEAR		
A8	E281170080A	CAM GEAR SHAFT		
A17	E281170170A	CAMSHAFT 61 - 100		
A18	E281170180A	CAMSHAFT 62 - 100		
A19	E281170190A	CAMSHAFT 63 - 100		
A25	E281170250A	SPEACIAL BOLT M20X1 . 5X145		
A26	E281170260Z	CAMSHAFT REAMER BOLT		
A27	E281170270Z	CAMSHAFT BOLT		
A28	E281170280Z	SPECIAL FLAT WASHER 22X35		
A30	E281170300Z	SPECIAL BOLT, M20X1 . 5X160		
A31	E281170310Z	SPECIAL NUT M20X1.5		
A34	E281170340Z	THRUST RETAINER, CAMSHAFT		
A35	E281170350Z	COUPLING, S.A.ROTARY VALVE		
A37	E281170370Z	SHIM		
A38	E281170380Z	SHIM - 2		
A40	E281170400Z	CAMSHAFT 61L - 100		
A41	E281170410Z	CAMSHAFT 62L - 100		
A42	E281170420Z	CAMSHAFT 63L - 100		
A501	X200110030ZZ	BOLT (1) M10X1 . 5X30		
A502	X200112024ZZ	BOLT (1) M12X1 . 75X24		
A505	Z335608016ZZ	STRAIGHT PIN (6) 8X16		
A508	Z321012100DZ	WIRE 1.2X1000		
A509	Z321012030DZ	WIRE 1.2X300		
A510	Z321012050DZ	WIRE 1.2X500		
B1	E281270010Z	CAMSHAFT BEARING SHELL		
B2	E281270020Z	CAMSHAFT BEARING SHELL (2)		
B2	E281270030Z	CAMSHAFT BEARING SHELL (3)		
B8	E281270080A	THRUST BEARING 106X170X8		
B10	E281270100Z	CAMSHAFT BEARING		
B12	E281270120Z	CASE, CAMSHAFT BEARING		

B15	E281270150Z	GASKET, CAMSHAFT BEARING	
B17	E170700070A	HOLDER, TACOMETER FLEX - FCD	
B18	C002270020A	GASKET, PUMP BODY	
B500	X200012050ZZ	BOLT M12X1 . 75X50	
B501	X200008018ZZ	BOLT M8X1 . 25X18	
B504	Z335608016ZZ	STRAIGHT PIN (6) 8X16	
B505	Z336008025ZZ	STEPPED PIN 8X25	
		CAMSHAFT ASSY. PRISED OF ITEM No. A8 ~ A35, A508	
		CAMSHAFT ASSY. PRISED OF ITEM No. A8, A25 ~ A42, A508	

**DAIHATSU**

SECTION 13	TYPE DK-28	CYLINDER HEAD シリンダヘッド
SHEET 110C		





DK-28 Z 94-4 A...0300 B...0101 C...0102 D...0101

CYLINDER HEAD			TYPE DK - 28	SECTION 13 SHEET 111C
No.	Parts No.	Name Of Parts	Quantity	
A3	E285670030Z	CYLINDER HEAD		
A5	E285670050Z	VALVE GUIDE		
A6	E285670060Z	SEAT, INTAKE VALVE		
A7	E285670070Z	GUIDE, VALVE YOKE		
A10	E285670100Z	SEAT (METCO), EX. VALVE		
A12	E285670120Z	GUIDE, NOZZLE HOLDER		
A14	E285670140A	STUD, HOLDER ROCKER ARM SHAFT		
A15	E285670150Z	STUD M14X2 . 0X85		
A16	E285670160A	STUD, NOZZLE HOLDER		
A17	E325270070Z	CIRCULAR NUT M48X3 . 0		

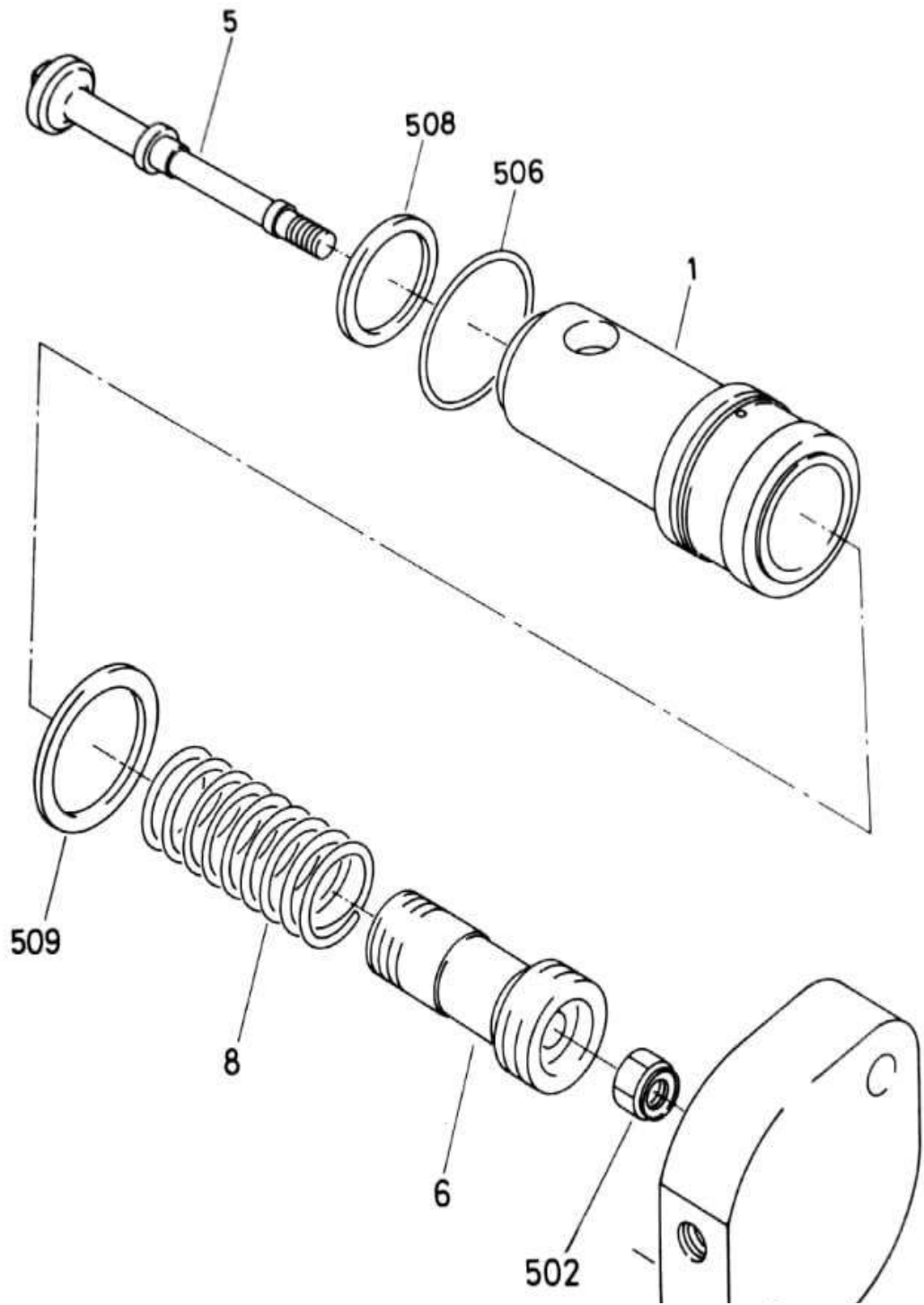
A18	E285670180Z	GASKET, CYL. HEAD	
A20	E285670200Z	CAP, M48	
A21	E405600310Z	O RING	
A22	E285670220Z	O RING	
A23	E285670230Z	SPECIAL PLUG M36X2.0	
A24	E265610240Z	SPECIAL PLUG M42X2.0	
A26	E285670260Z	BLOCK, EX. GAS OUTLET	
A28	E285670280Z	GASKET, EX. GAS OUTLET	
A30	E285670300Z	C.W. CONNECTOR, EX. GAS OUTLET	
A32	E225600130Z	STUD M12X56	
A505	Z412006500ZZ	SNAP RING (HOLE) 65	
A507	Z560208031DZ	O RING	
A509	Z560102024DZ	O RING	
A512	Z665036000ZZ	GASKET 36	
A513	Z565004200ZZ	GASKET 42	
A515	X570001000ZZ	HEX. PLUG 1/8	
A516	X570006000ZZ	HEX. PLUG 3/4	
A517	Z571501000ZZ	TAPER PLUG (5)1/8	
A518	Z571503000ZZ	TAPER PLUG (5)3/8	
A519	Z571503000ZZ	TAPER PLUG (5)3/8	
A520	Z565001000ZZ	GASKET 10	
A521	Z565002700ZZ	GASKET 27	
A525	X200016180ZZ	BOLT M16X2 . 0X180	
A526	X200016060ZZ	BOLT M16X2 . 0X60	
A527	X210016060ZZ	BOLT M16X2 . 0X60	
A530	X220016000ZZ	NUT M16X2.0	
A533	Z335606014ZZ	STRAIGHT PIN (6) 6X14	
A536	Z560102235ZZ	O RING	
A538	X570012000ZZ	HEX. PLUG 11/4	
A539	Z565004200ZZ	GASKET 42	

<b>CYLINDER HEAD</b>			<b>TYPE</b> DK - 28	SECTION 13
<b>No.</b>	<b>Parts No.</b>	<b>Name Of Parts</b>		SHEET 112C
				<b>Quantity</b>
B2	E285770020Z	INTAKE VALVE S637T		
B6	E285770060Z	VALVE ROTATOR		
B8	E285770080Z	VALVE COTTER		

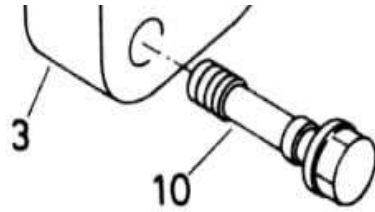


**DAIHATSU**

SECTION 13	TYPE DK-28	STARTING VALVE 起 動 弁
SHEET 120		





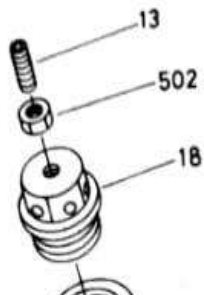


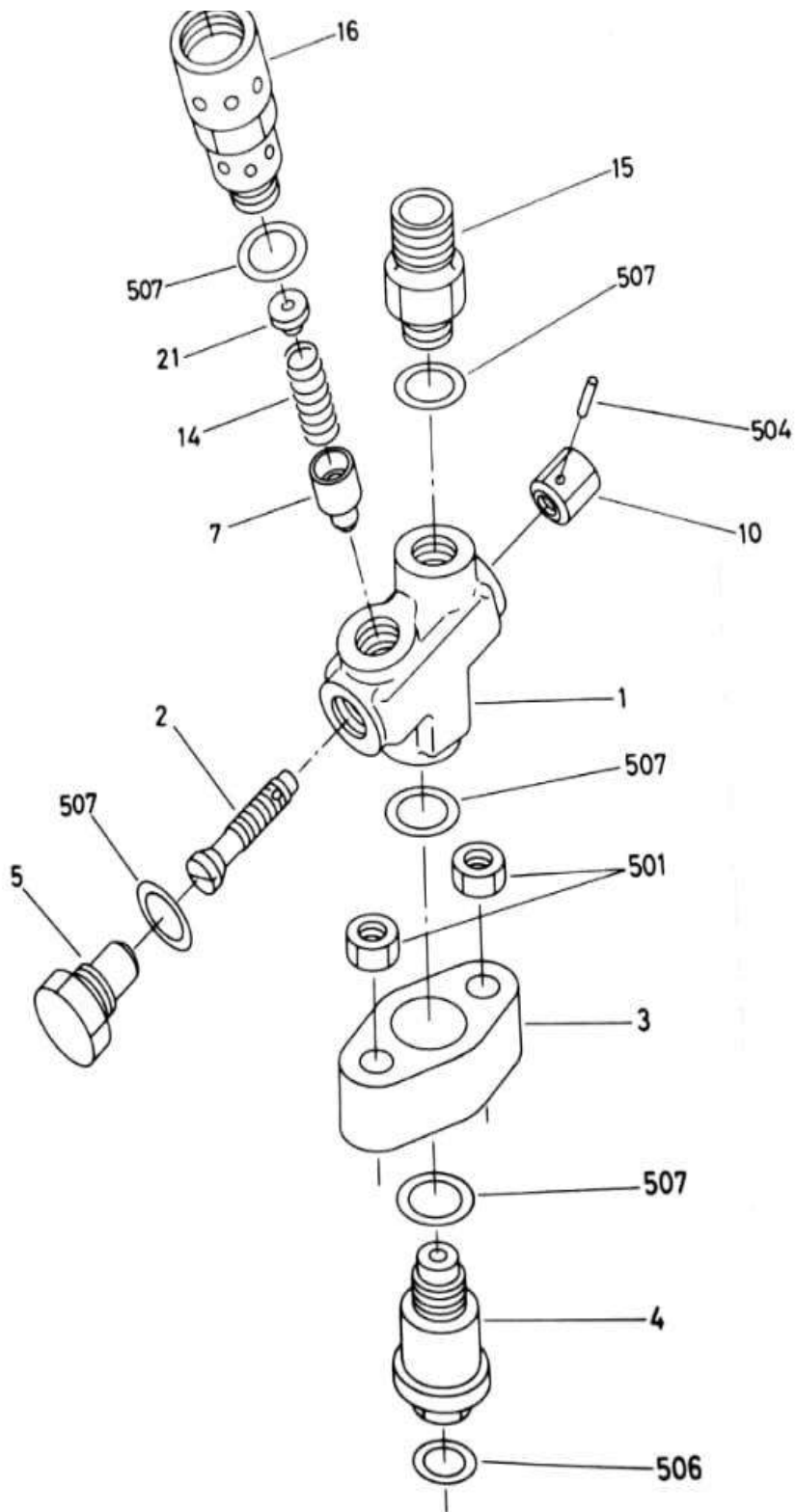
**DK-28** | **Z** | **94-4** | **0200**

<b>STARTING VALVE</b>			<b>TYPE</b> DK - 28	<b>SECTION 13</b> SHEET 121
<b>No.</b>	<b>Parts No.</b>	<b>Name Of Parts</b>	<b>Quantity</b>	
1	E286070010A	BODY, STARTING VALVE		
3	E286070030B	COVER, STARTING VALVE		
5	E286070050A	STARTING VALVE		
6	E286070060Z	PISTON, STARTING VALVE		
8	E286070080Z	SPRING 4X35X77		
10	E286070100Z	BOLT M12X1 . 75X56		
502	X227010000ZZ	U - NUT M10X1.5		
506	Z560205531ZZ	O RING		
508	Z665040000CD	GASKET 40		
509	Z665048000ZZ	GASKET 48		
		STARTING VALVE ASSY. COMPRISED OF ITEM No. 1 ~ 8, 502 ~ 509 (WITHOUT No. 508)		

**DAIHATSU**

**SECTION 13** | **TYPE DK-28** | **INDICATOR & SAFETY VALVE**  
**指压器, 安全弁**





DK-28 Z 94-4 0100

INDICATOR & SAFETY VALVE			TYPE DK - 28	SECTION 13 SHEET 131
No.	Parts No.	Name Of Parts	Quantity	

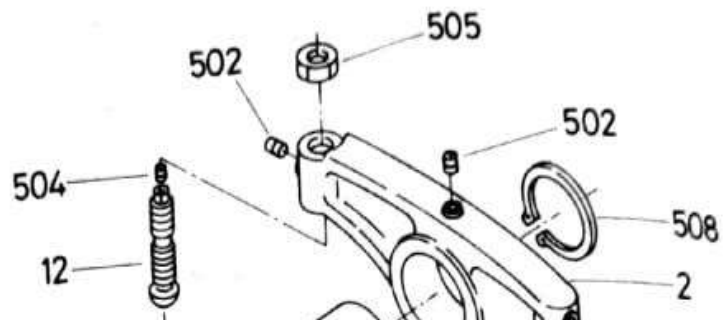
1	E206950010Z	BLOCK, INDICATOR VALVE	
2	E206950020Z	VALVE, INDICATOR	
3	E206950030Z	FLANGE, INDICATOR VALVE	
4	E206950040Z	SHAFT, INDICATOR VALVE	
5	E206950050Z	SPECIAL HEX . PLUG M22X1 . 5	
7	C031640070Z	SAFETY VALVE	
10	E206950100Z	NUT, INDICATOR VALVE	
13	E206950130Z	SET SCREW M8X1 . 25X25	
14	C031670251Z	SPRING 4.0X12 . 5X45.6	
15	C031640080Z	INDICATOR CONNECTOR	
16	E206950160Z	BODY, SAFETY VALVE	
18	E206950180Z	SPRING RETAINER	
21	E206950210Z	SPRING SEAT	
501	X220012000ZZ	NUT M12X1 . 75	
501	X220308000ZZ	NUT (3) M8X1 . 25	
504	Z335004020ZZ	STRAIGHT PIN 4X20	
506	Z565001700ZZ	GASKET 17	
507	Z565002300ZZ	GASKET 23	
		INDICATOR & SAFETY VALVE ASSY. COMPRISED OF ITEM No. 1 ~ 21, 502, 504, 507	

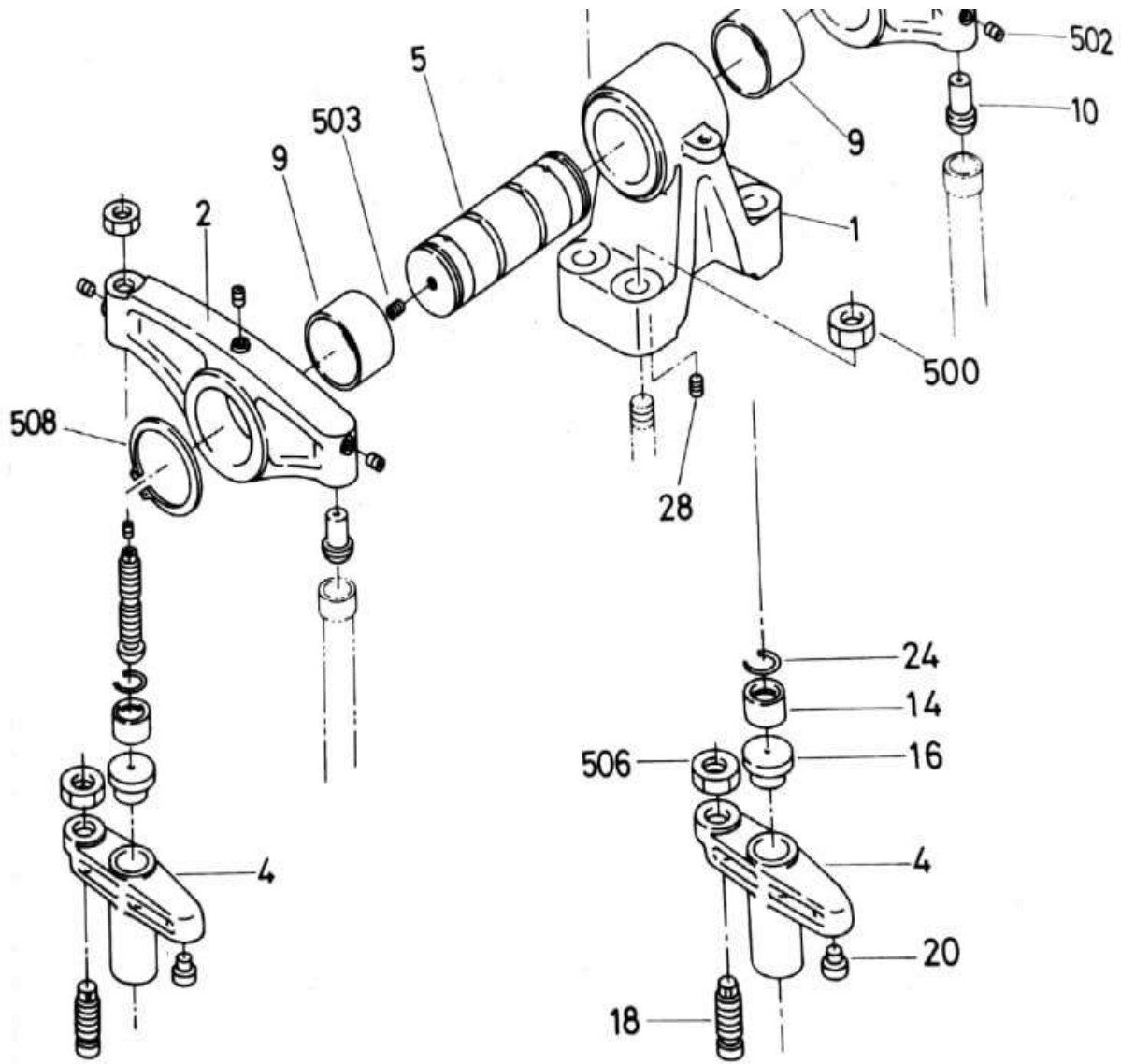
**DAIHATSU**

SECTION  
13  
SHEET  
140

TYPE  
DK-28

VALVE OPERATING DEVICE  
動弁装置





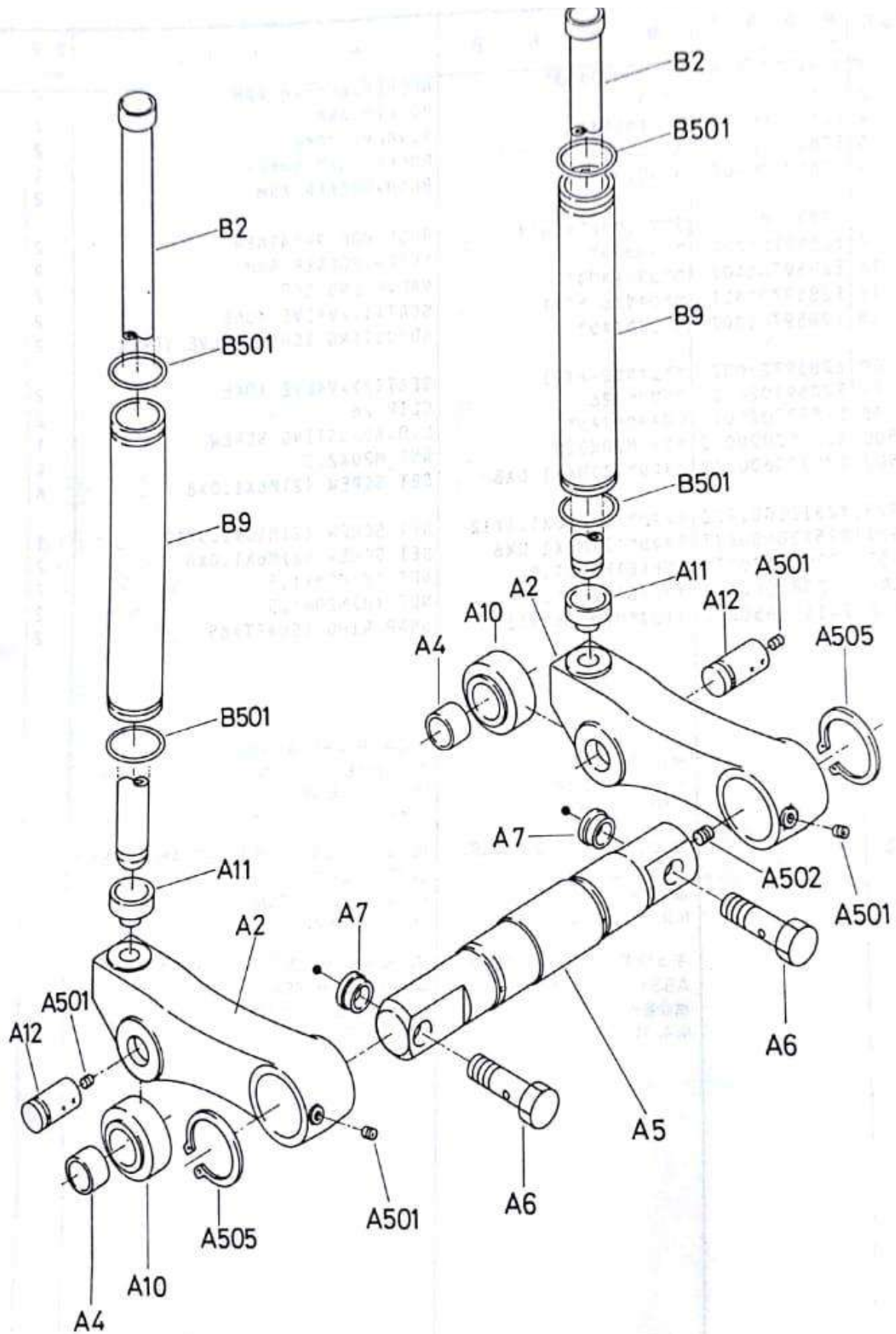
DK-28    Z 94-4    0102

VALVE OPERATING DEVICE			TYPE DK - 28	SECTION 13 SHEET 141
No.	Parts No.	Name Of Parts	Quantity	
1	E285970010A	HOLDER, ROCKER ARM		
2	E285970020Z	ROCKER ARM		
4	E285970040Z	T. VALVE YOKE		
5	E285970050Z	ROCKER ARM SHAFT		

9	E285970090Z	BUSH, ROCKER ARM	
10	E285970100Z	PUSH ROD RETAINER	
12	E285970120Z	SCREW, ROCKER ARM	
14	E285970140Z	VALVE END CAP	
16	E285970160Z	SEAT (1), VALVE YOKE	
18	E285970180Z	ADJUSTING SCREW, VALVE YOKE	
20	E285970200Z	SEAT (2), VALVE YOKE	
24	E285970240Z	CLIP 26	
28	E285970280Z	L.O. ADJUSTING SCREW	
500	X220020000ZZ	NUT M20X2.5	
502	X251206008ZZ	SET SCREW (2) M6X1 . 0X8	
503	X251210012ZZ	SET SCREW (2) M10X1 . 5X12	
504	X251206006ZZ	SET SCREW (2) M6X1 . 0X6	
505	X220818000ZZ	NUT (8) M18X1.5	
506	X220820000ZZ	NUT (8) M20X1.5	
508	Z411006500ZZ	SNAP RING (SHAFT) 65	
		ROCKER ARM ASSY. COMPRISED OF ITEM No. 1, 2, 5 ~ 12, 28, 502 ~ 505, 508	
		IN. & EX. VALVE ROCKER ARM ASSY. (WITH BUSH) COMPRISED OF ITEM No. 2, 9, 10, 502	
		IN. & EX. VALVE T VALVE YOKE ASSY. (WITH SEAT) COMPRISED OF ITEM No. 4, 16, 20	

**DAIHATSU**

SECTION 13	TYPE DK-28	INTAKE & EXHAUST TAPPET 吸, 排気タペット
SHEET 150		

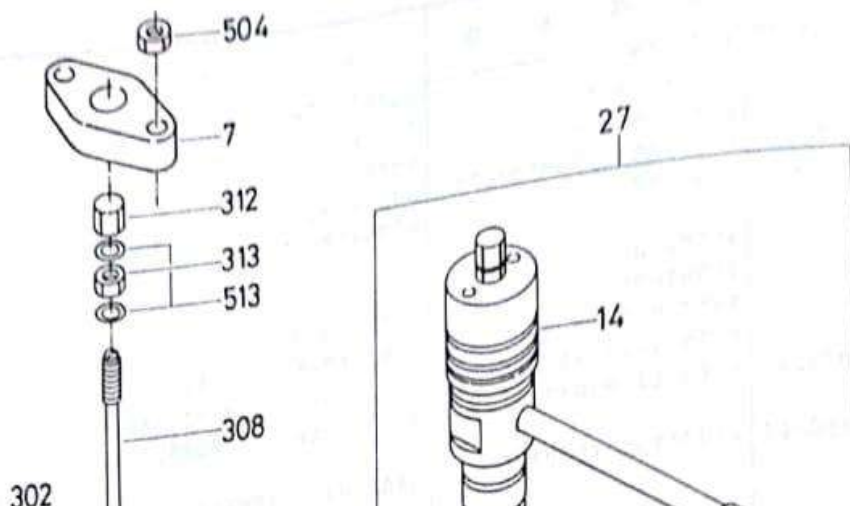


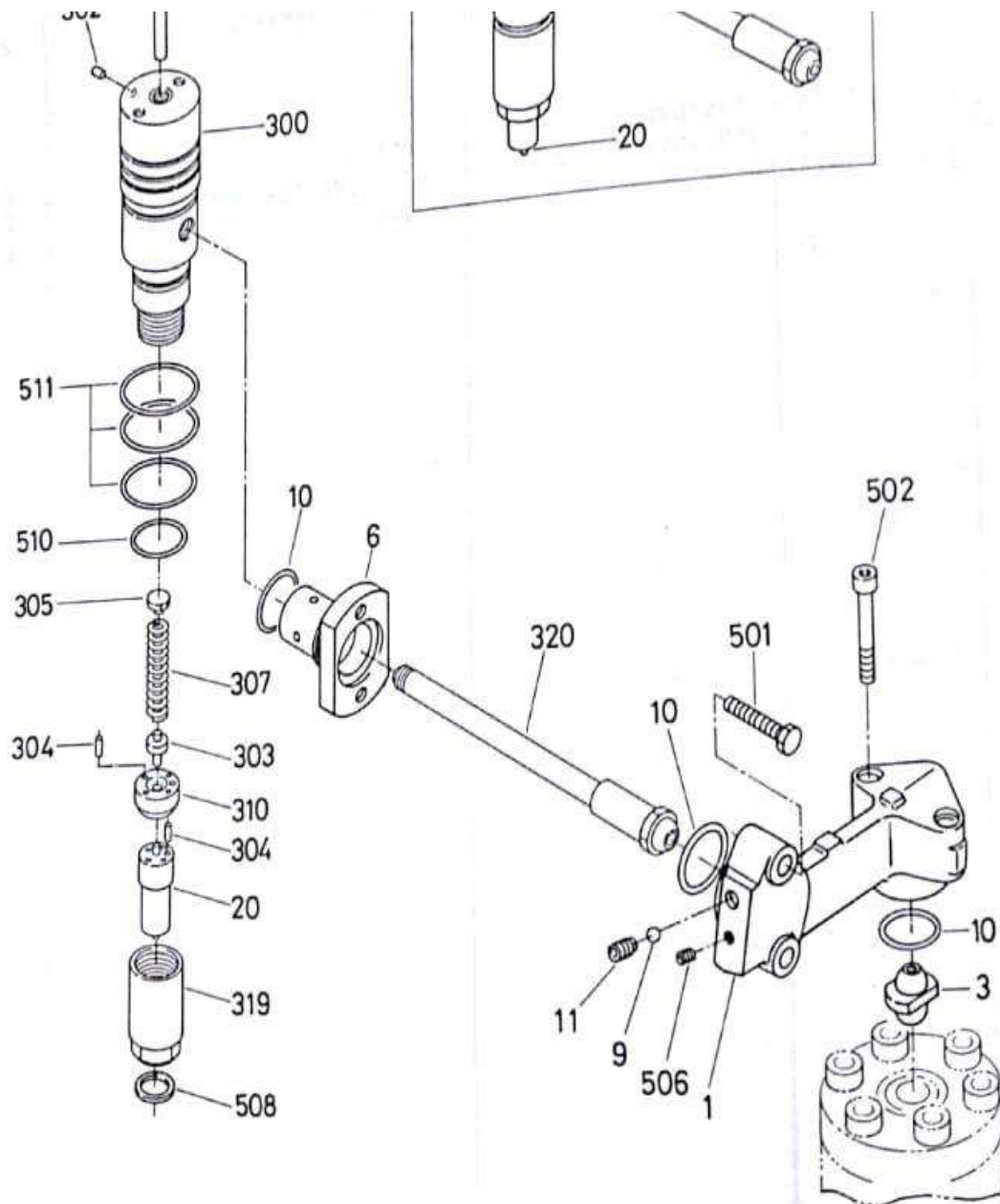
<b>INTAKE &amp; EXHAUST TAPPET</b>			TYPE DK - 28	SECTION 13 SHEET 151
No.	Parts No.	Name Of Parts	Quantity	
A2	E286670020Z	SWING ARM		
A4	E286670040Z	TAPPET ROLLER BUSH		
A5	E286670050Z	SHAFT, SWING TAPPET		
A6	E286670060Z	BOLT, SWING TAPPET SHAFT		
A7	E286670070Z	RING, KNOCK		
A10	E266600100Z	TAPPET ROLLER		
A11	E286670110Z	SEAT, PUSH ROD		
A12	E286670120Z	PIN, TAPPET ROLLER		
A501	X251206008ZZ	SET SCREW (2) M6X1 . 0X8		
A502	X251210012ZZ	SET SCREW (2) M10X1 . 5X12		
A505	Z411005500ZZ	SNAP RING (SHAFT) 55		
B2	E286870020A	PUSH ROD		
B9	E286870090A	PROTECTIVE TUBE, PUSH ROD		
B501	Z560204531ZZ	O RING		

**DAIHATSU**

FUEL OIL INJECTION DEVICE  
燃料噴射装置

SECTION 13  
SHEET 160C  
TYPE DK-28





DK-28 | Z | 94-4 | 0300

FUEL OIL INJECTION DEVICE				TYPE DK - 28	SECTION 13
					SHEET 161C
No.	Parts No.	Name Of Parts	Quantity		
1	E286270010A	BLOCK, F.O. INJECTION			
3	E286270030B	JOINT, INJECTION PIPE			
6	E286270060Z	CLAMP, NOZZLE HOLDER			
7	E286270070Z	CLAMP (2), NOZZLE HOLDER			
9	E266270270Z	BALL 8.0			
10	E286270100Z	O RING			

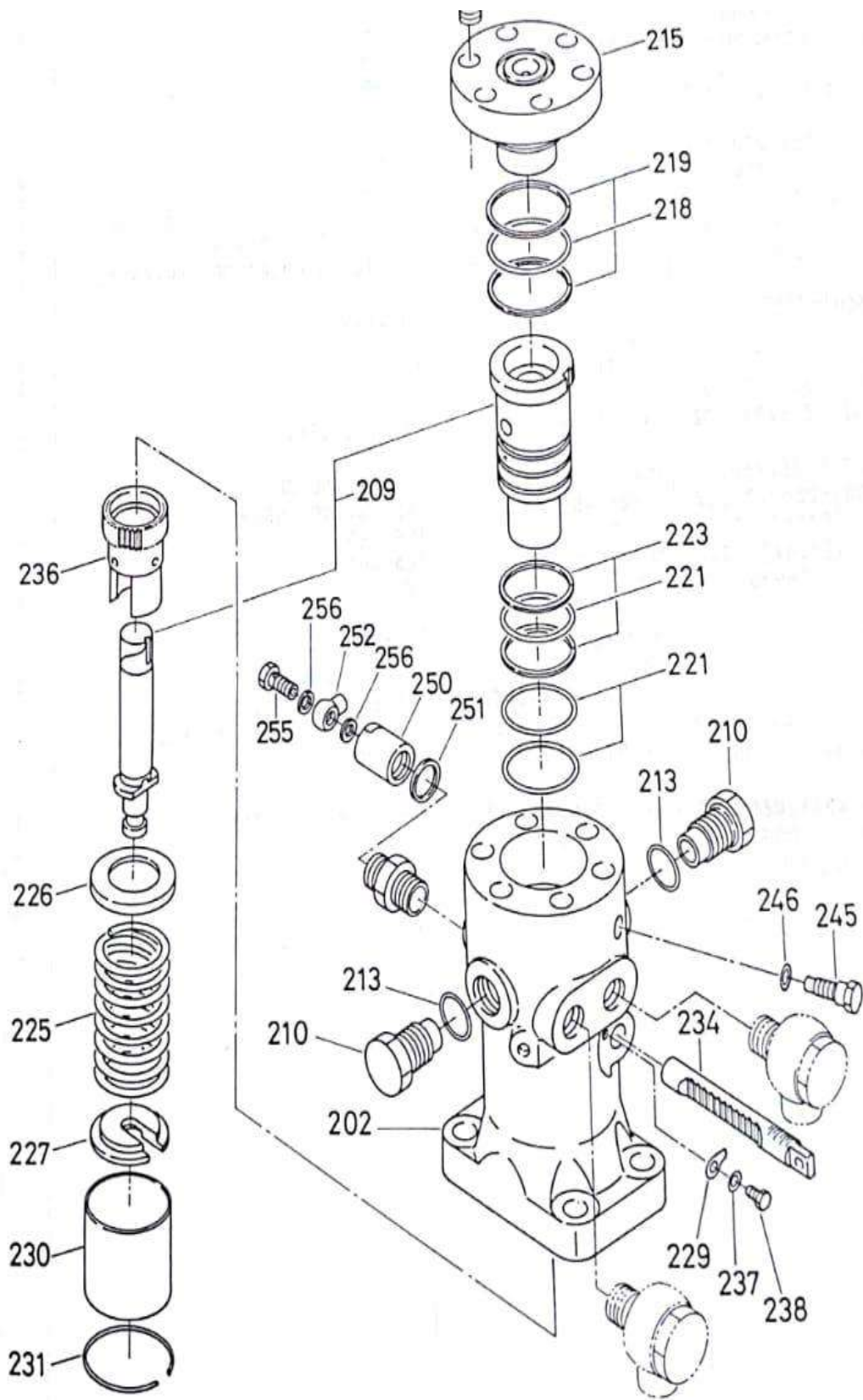


11	E206250110Z	PLUG	
14	E286270140Z	NOZZLE HOLDER (COOLING TYPE)	
20	E286270200Z	NOZZLE DLF14OUB4810	
27	E286270270Z	NOZZLE HOLDER (COOLING) ASSY.	
300	E286273000Z	BODY, N.H.	
302	E286273020Z	PIN	
303	E326253030Z	PUSH ROD	
304	E326203050Z	PIN	
305	E326253050Z	SPRING SEAT	
307	E286273070Z	SPRING, NOZZLE	
308	E286273080Z	ADJUSTING SCREW	
310	E326253100Z	SPACER	
312	E326273120Z	CAPNUT	
313	E226950310Z	NUT	
319	E326273190Z	RETAINER NUT	
320	E286273200Z	INLET CONNECTOR	
501	X205012055ZZ	HT BOLT M12X1 . 75X55	
502	Z212012080ZZ	HEX. SOCKET BOLT M12X80	
504	X220014000ZZ	NUT M14X2.0	
506	X251206006ZZ	SETV SCREW (2) M6X1 . 0X6	
508	Z565002520ZZ	GASKET 25	
510	Z560204531DZ	O RING	
511	Z560206031DZ	O RING	
513	Z567001402CC	GASKET 14 - 2	
		F.O. INJECTIONBLOCK ASSY. COMPRISED OF ITEM No. 1, 9, 11, 506	

**DAIHATSU**

SECTION 13	TYPE DK-28	FUEL OIL INJECTION PUMP 燃料噴射ポンプ
SHEET 170C		





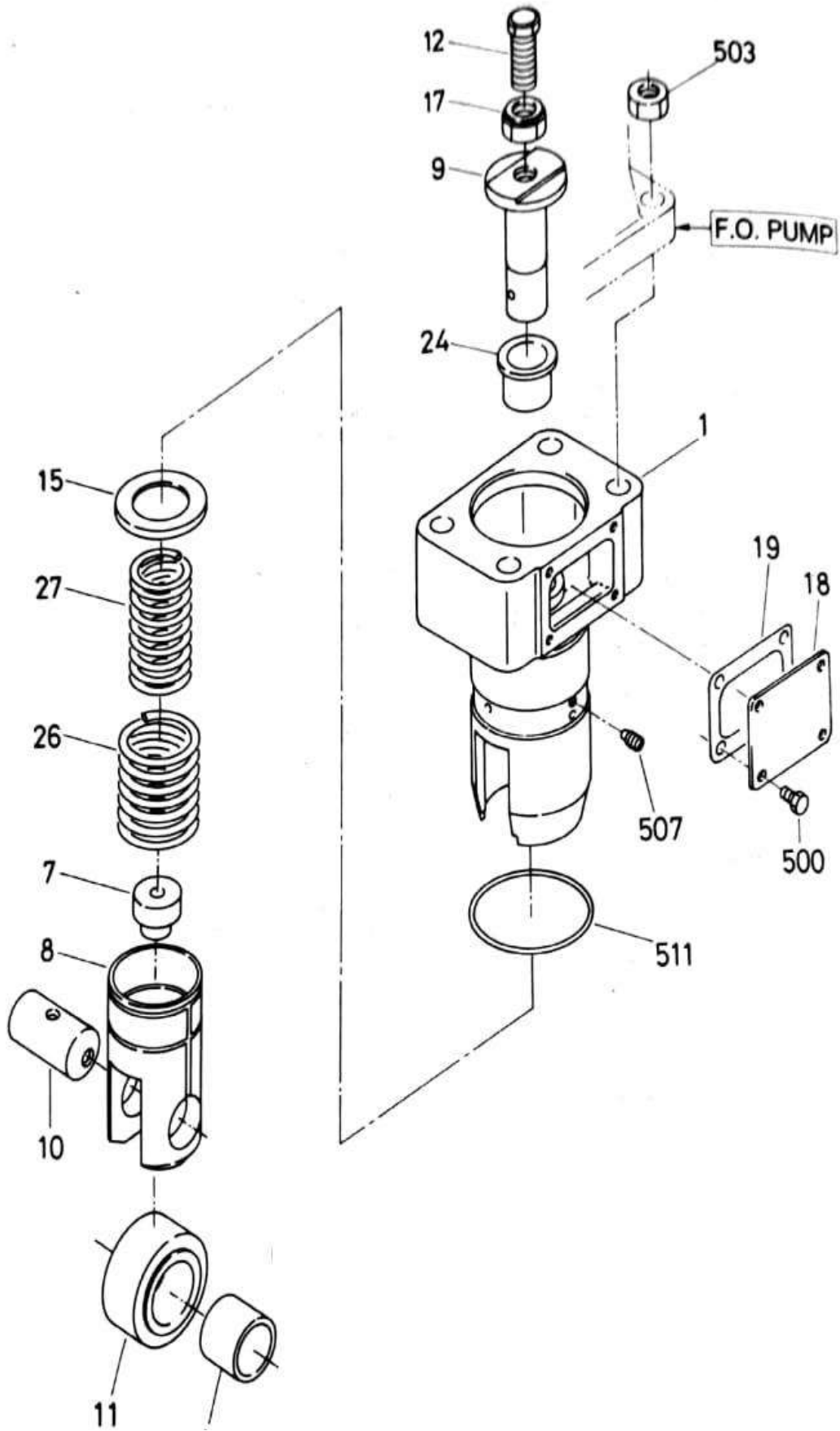
DK-28	Z	94-4	0400
-------	---	------	------

<b>FUEL OIL INJECTION PUMP</b>			<b>TYPE</b> <b>DK - 28</b>	<b>SECTION 13</b> <b>SHEET 171C</b>
<b>No.</b>	<b>Parts No.</b>	<b>Name Of Parts</b>	<b>Quantity</b>	
	E286470030A	F.O. INJECTION PUMP SV - 26 (CFO)		
202	E286472020Z	HOUSING, PUMP		
209	E286472090A	PLUNGER ASSY.		
210	E286472100Z	DEFLECTOR		
213	E326472130A	O RING		
215	E286472150Z	DELIVERY VALVE		
218	E326472180A	O RING		
219	E326472190Z	BACKUP RING		
220	E326472200Z	BOLT		
221	E326472210Z	O RING		
223	E326472230Z	BACKUP RING		
225	E326472250Z	SPRING, PLUNGER		
226	E326472260Z	SPRING SEAT		
227	E326472270A	SPRING SEAT		
229	C266402290Z	POINTER		
230	E326472300Z	GUIDE, PLUNGER		
231	E326472310Z	SNAP RING		
234	E326472340Z	CONTROL RACK		
236	E326472360Z	CONTROL SLEEVE		
237	E266402360Z	SHIM		
238	E266402380Z	BOLT		
245	E326472450Z	SET SCREW		
246	E326472460Z	GASKET		
250	E326472500Z	CYLINDER		
251	E326472510Z	GASKET		
252	E326472520Z	EYE		
255	E326472550Z	EYE BOLT		
256	E326472560Z	GASKET		

**DAIHATSU**

<b>SECTION</b> 13	<b>TYPE</b> DK-28
<b>SHEET</b>	

**FUEL OIL INJECTION PUMP TAPPET**  
燃料噴射ポンプタペット

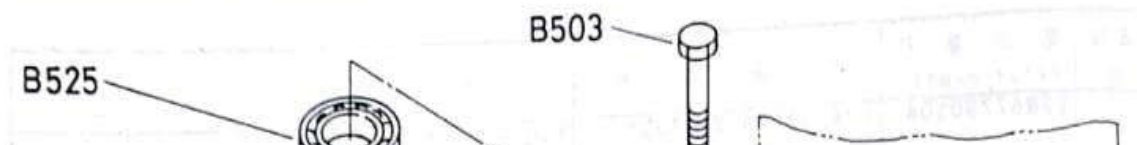


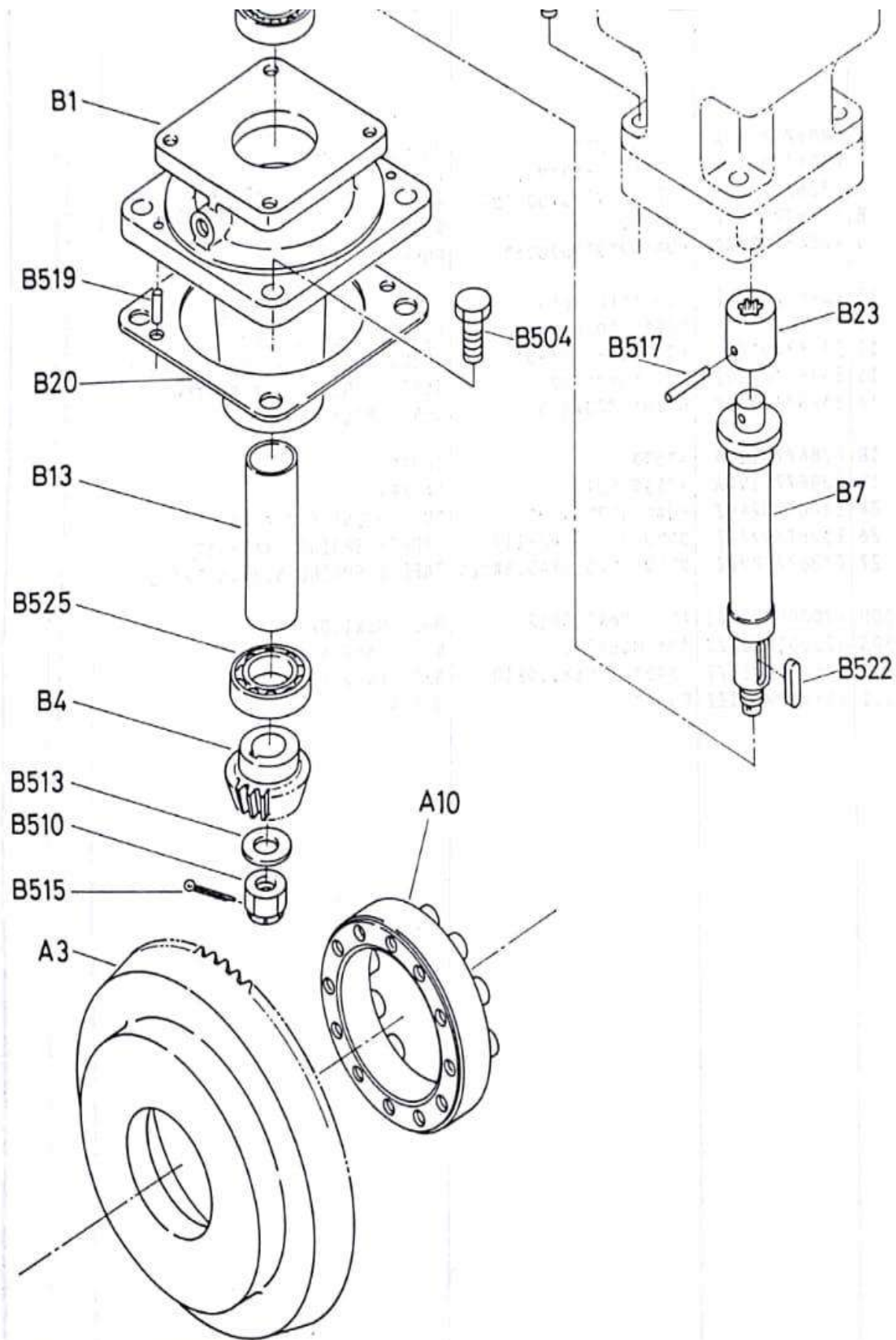
DK-28 Z 94-4 0201

<b>FUEL OIL INJECTION TAPPET</b>			TYPE DK - 28	SECTION 13 SHEET 181
No.	Parts No.	Name Of Parts	Quantity	
	E286779010A	F.O. PUMP TAPPET ASSY.		
1	E286770010A	MOUNT, F.O. PUMP		
4	E326770040Z	F.O. TAPPET ROLLER BUSH		
7	E326770070Z	SEAT, F.O. PUMP PUSH ROD		
8	E326770080Z	F.O. TAPPET		
9	E286770090A	PUSH ROD, F.O. PUMP		
10	E326770100Z	F.O. TAPPET ROLLER PIN		
11	E326770110A	F.O. TAPPET ROLLER		
12	E326770120A	ADJUSTING SCREW, F.O. TAPPET		
15	E326770150Z	SEAT, F.O. TAPPET SPRING		
17	E326770170Z	U - NUT M20X1.5		
18	E286770180A	COVER		
19	E286770190A	GASKET		
24	E286770240Z	BUSH, MOUNT F.O. PUMP		
26	E326770260Z	TAPPET SPRING 7X62X117		
27	E326770270Z	TAPPET SPRING 5.5X45 . 5X120		
500	X200006012ZZ	BOLT M6X1 . 0X12		
503	X220018000ZZ	NUT M18X2.5		
507	X251106010ZZ	SET SCREW (1) M6X1 . 0X10		
511	Z560209531ZZ	O RING		

**DAIHATSU**

SECTION 13	TYPE DK-28	GOVERNOR GEAR CUSHION (RHD GOVERNOR) 調速機駆動装置 (RHDガバナ)
SHEET 190		



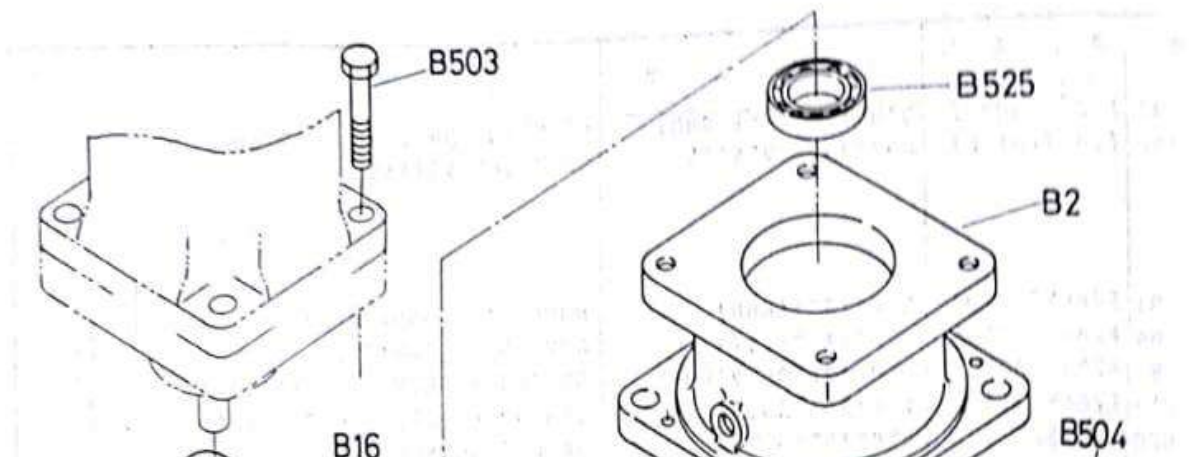


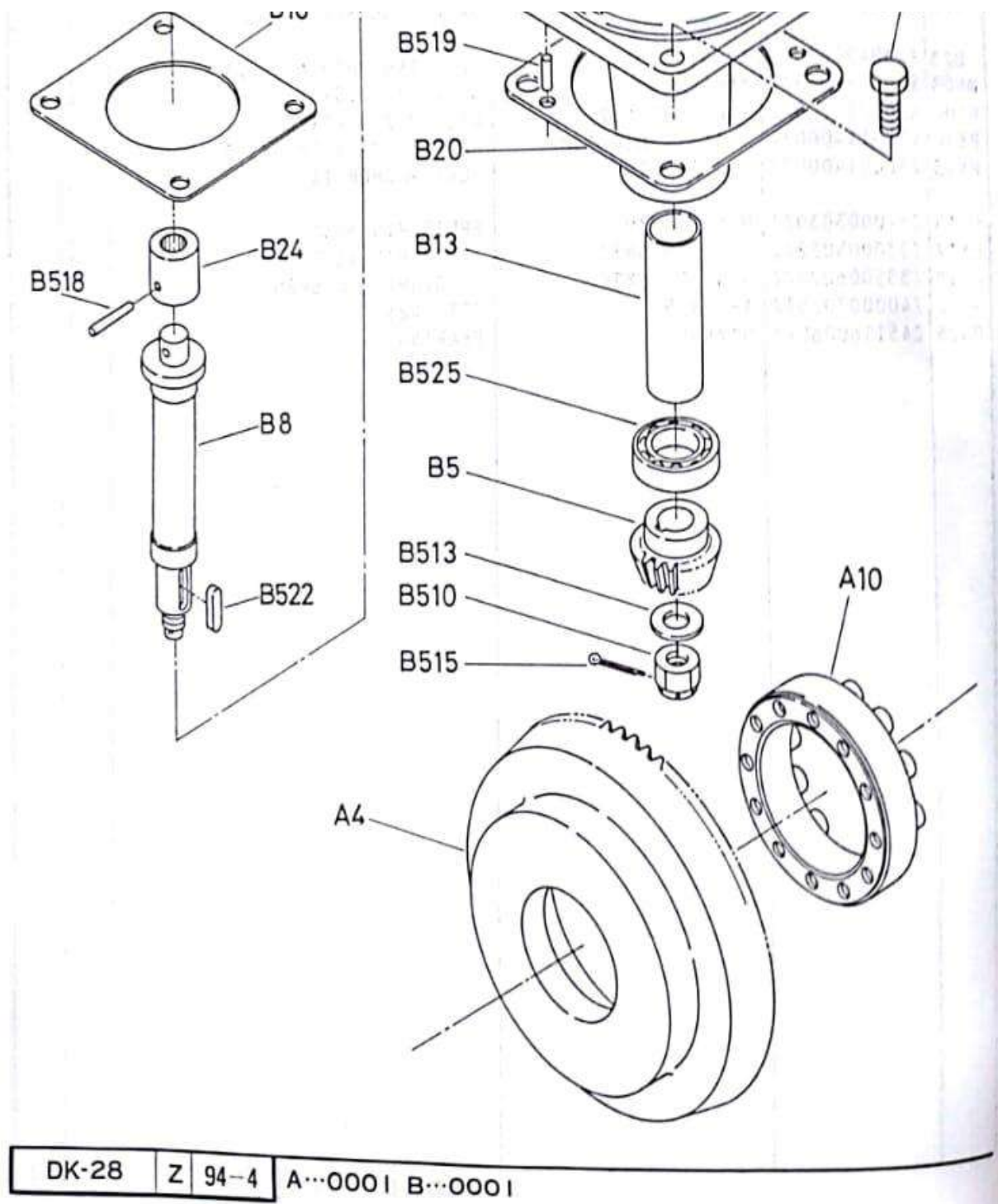
DK-28 | Z | 94-4 | A...000 | B...000 |

A3	E283770030Z	GOVERNOR DRIVING GEAR (RHD)	
A10	E283770100Z	COUPLING 95X135	
B1	X284570010Z	MOUNT, GOVERNOR (RHD)	
B4	E284500040A	GOVERNOR GEAR (Z17)	
B7	E284570070Z	GOVERNOR DRIVING SHAFT (RHD)	
B13	E284570130Z	DISTANCE PIECE 30.5X111.5	
B20	E284570200Z	GASKET, GOVERNOR MOUNT	
B23	E268400230B	COUPLING, DRIVING SHAFT	
B503	X200010055ZZ	BOLT M10X1 . 5X55	
B504	X200012028ZZ	BOLT M12X1 .75X28	
B510	X225114000ZZ	CASTLE NUT (1) M14X2.0	
B513	Z300014000ZZ	FLAT WASHER 14	
B515	Z320003030ZZ	SPRIT PIN 3X30	
B517	Z330005032ZZ	TAPER PIN 5X32	
B519	Z335006020ZZ	STRAIGHT PIN 6X20	
B522	Z400007025ZZ	KEY 7X25	
B525	Z451160060ZZ	BEARING	

**DAIHATSU**

SECTION 13	TYPE DK-28	GOVERNOR GEAR CUSHION (UG8 GOVERNOR)
SHEET 195		調速機駆動装置 (UG8 ガバナ)

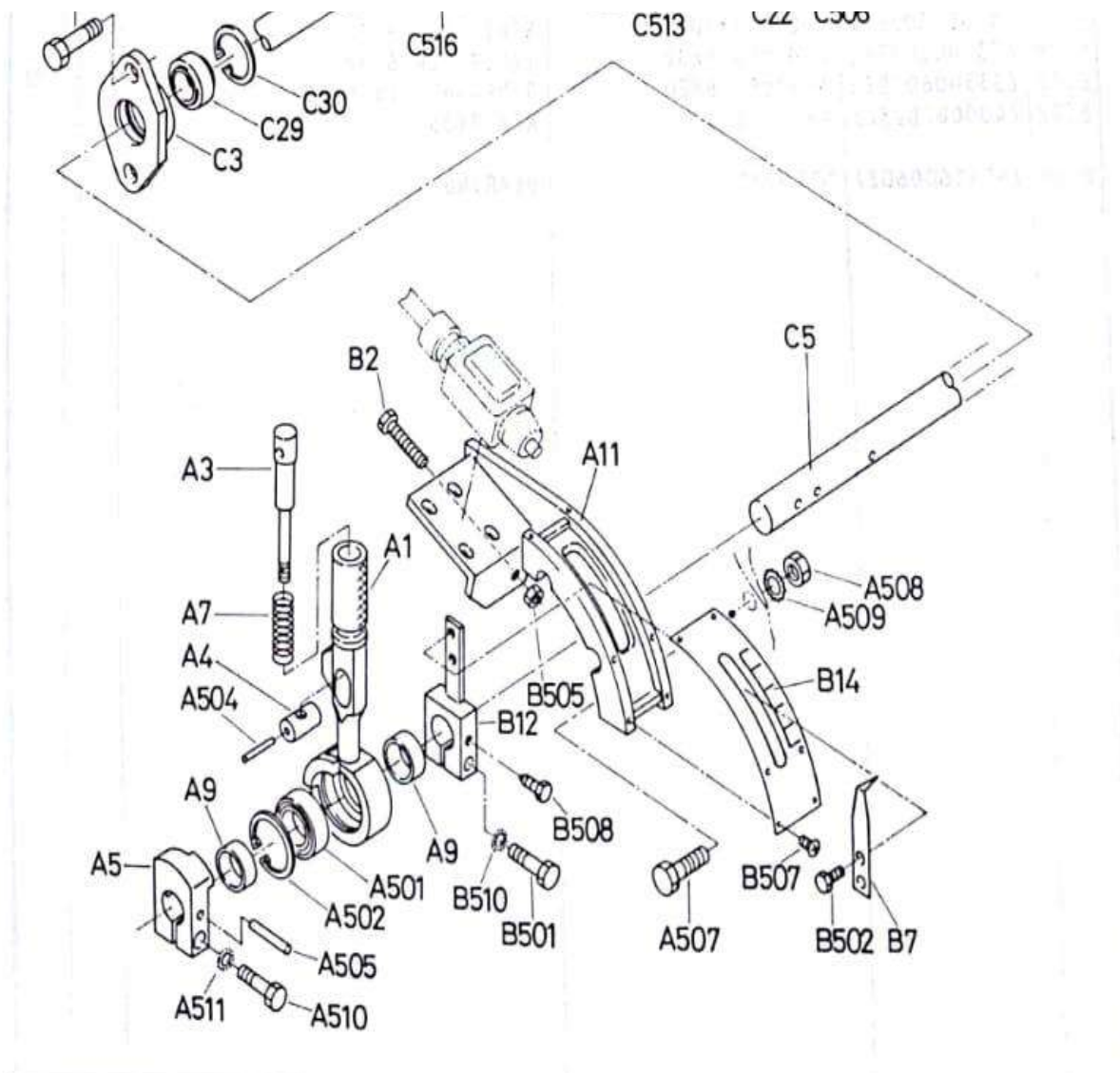




GOVERNOR GEAR CUSHION (UG8 GOVERNOR)			TYPE DK - 28	SECTION 13 SHEET 196
No.	Parts No.	Name Of Parts	Quantity	
A4	E283770040Z	GOVERNOR DRIVING GEAR - UG8		
A10	E283770100Z	COUPLING 95x135		
B2	E284570020Z	MOUNT, GOVERNOR - UG8		







DK-28 Z 94-4 A...0005 B...0100 C...0201

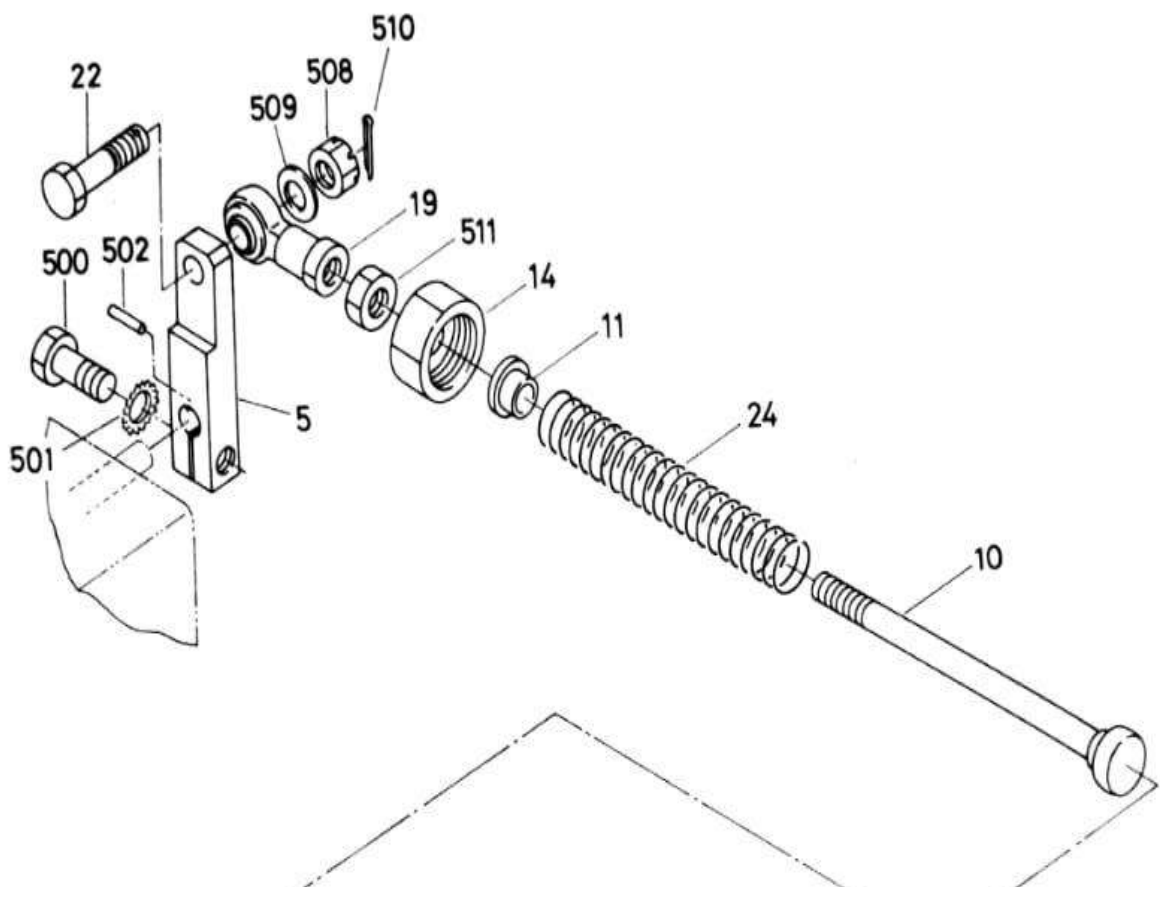
FUEL CONTROL DEVICE (COMMON ROD)			TYPE DK - 28	SECTION 13 SHEET 196
No.	Parts No.	Name Of Parts	Quantity	
A1	E287570010Z	CONTROL LEVER		
A3	E287570030Z	PUSH ROD, CONTROL LEVER		
A4	E287570040Z	PIN, CONTROL LEVER		
A5	E287570050Z	CLUTCH, LEVER SHAFT		
A7	E284600291Z	SPRING 1.4X16X59		
A9	E641600190Z	STOPPER, CONTROL ROD		
A11	E287570110Z	BRACKET, CONTROL LEVER		
A501	Z451460050ZZ	BEARING		
A502	Z412004700ZZ	SNAP RING (HOLE) 47		
A504	Z415003030ZZ	SPRING PIN 3X30		

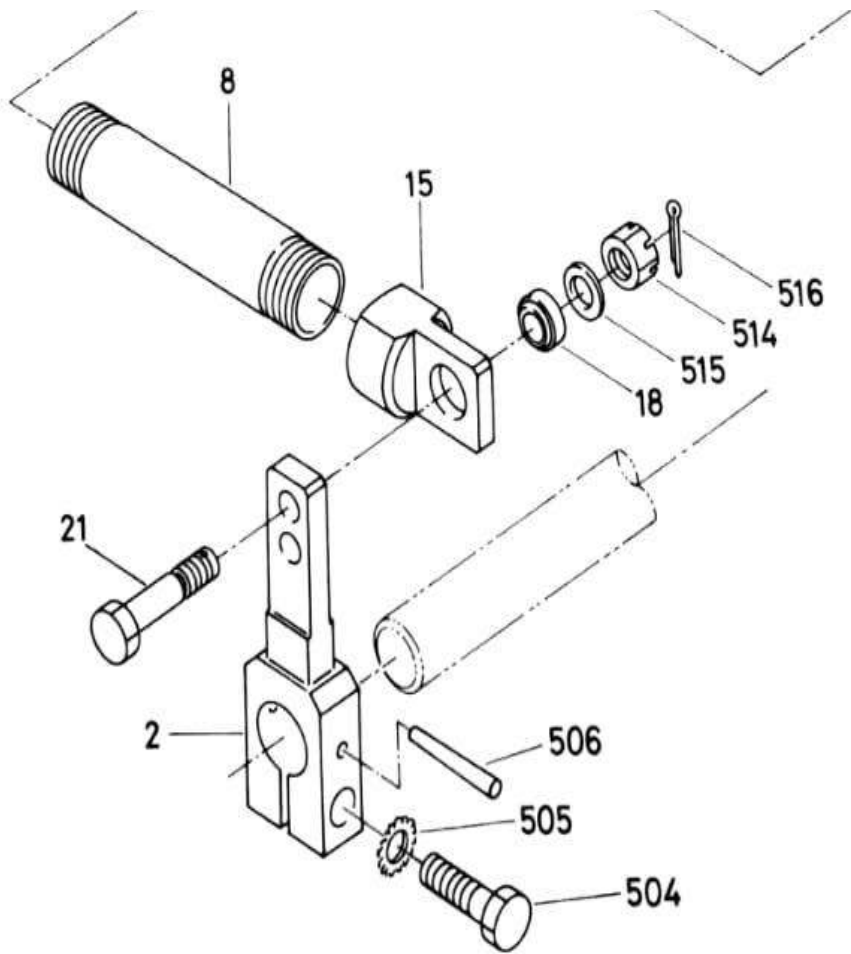
A505	Z415005040ZZ	SPRING PIN 5X40	
A507	X200012055ZZ	BOLT M12X1 . 75X55	
A508	X220012000ZZ	NUT M12X1 .75	
A509	Z315012000ZZ	TOOTHED LOCK WASHER M12	
A510	X200010040ZZ	BOLT M10X1 . 5X40	
A511	Z315010000ZZ	TOOTHED LOCK WASHER M10	
B2	C272000040A	BOLT, RACK STOPPER	
B7	E293270070Z	LOAD POINTER	
B12	E293270120Z	LEVER, LOAD POINTER	
B14	E293270140A	LOAD SCALE PLATE	
B501	X200008038ZZ	BOLT M8X1 . 25X38	
B502	X200006010ZZ	BOLT M6X1 . 0X10	
B505	X220308000ZZ	NUT (3) M8x1.25	
B507	X245103006ZZ	RAUND MACHINE SCREW M3X0 . 5X6	
B508	Z315008000ZZ	HEX. SET SCREW (1) M6X10	
B510	Z315008000ZZ	TOOTHED LOCK WASHER M8	
C2	E281670020Z	CONTROL ROD BEARING (1)	
C3	E401600160Z	CONTROL ROD BEARING (2)	
C5	E281670050Z	CONTROL ROD -6DK	
C10	E281670100A	RACK LEVER	
C11	E201650110Z	RACK LEVER CLUTCH	
C12	E321650160Z	HOLDER, RETURN SPRING	
C13	E321650251Z	RETURN SPRING, RACK LEVER	
C17	E281670170Z	RACK LINK	
C18	E281670180Z	RACK LINK PIN	
C19	E201650190Z	SPHERICAL PLAIN BEARING 8	
<b>FUEL CONTROL DEVICE (COMMON ROD)</b>			<b>TYPE</b>
			<b>DK - 28</b>
			<b>SECTION 13</b>
			<b>SHEET 202</b>
<b>No.</b>	<b>Parts No.</b>	<b>Name Of Parts</b>	<b>Quantity</b>
C20	E201650200Z	LINK PIN DISTANCE	
C22	C321670330Z	SPECIAL BOLT M8X1 . 25X45	
C25	E641600190Z	STOPPER, CONTROL ROD	
C29	E401600290Z	SPHERICAL PLAIN BEARING 25	
C30	E401600320Z	SNAP RING (HOLE) 42	
C501	Z451460050ZZ	BEARING	
C502	Z412004700ZZ	SNAP RING (HOLE) 47	

C505	X200012035ZZ	BOLT M12X1 . 75X35	
C506	X200012030ZZ	BOLT M12X1 . 75X30	
C507	X200012055ZZ	BOLT M12X1 . 75X55	
C508	X220012000ZZ	NUT M12X1 . 75	
C509	Z315012000ZZ	TOOTHED LOCK WASHER M12	
C512	Z415005040ZZ	SPRING PIN 5X40	
C513	X200010040ZZ	BOLT M10X1 . 5X40	
C514	Z315010000ZZ	TOOTHED LOCK WASHER M10	
C515	X220308000ZZ	NUT (3) M8X1.25	
C516	X250108016ZZ	HEX. SET SCREW (1) M8X16	
C520	X225108000ZZ	CASTLE NUT (1) M8X1 . 25	
C521	Z300008000ZZ	FLAT WASHER 8	
C522	Z320001620ZZ	SPLIT PIN 1.6X20	

**DAIHATSU**

SECTION 13	TYPE DK-28	FUEL CONTROL DEVICE (RHD GOVERNOR) 燃料制御装置 (RHDガバナ)
SHEET 210		





DK-28 Z 94-4 0101

FUEL CONTROL DEVICE (RHD GOVERNOR)			TYPE DK - 28	SECTION 13 SHEET 210
No.	Parts No.	Name Of Parts	Quantity	
2	E284670020Z	CONTROL ROD LEVER		
5	E324650380Z	GOVERNOR LEVER		
8	E284670080Z	CONNECTION ROD		
10	E284670100Z	SHAFT, CONNECTION ROD RHD		
11	E324600500Z	SPRING SEAT, GOVERNOR LINK		
14	E204650370Z	NUT PF3/4		
15	E204650380Z	NUT, CONNECTION ROD PF/4		
18	E204650410Z	SPHERICAL PLAIN BEARING 10		
19	E204650420Z	ROD END 10		
21	E204650450A	LINK PIN 10X18		
22	E284670220Z	LINK PIN 10X23		
24	E284670240Z	SPRING 2.3X17X161		

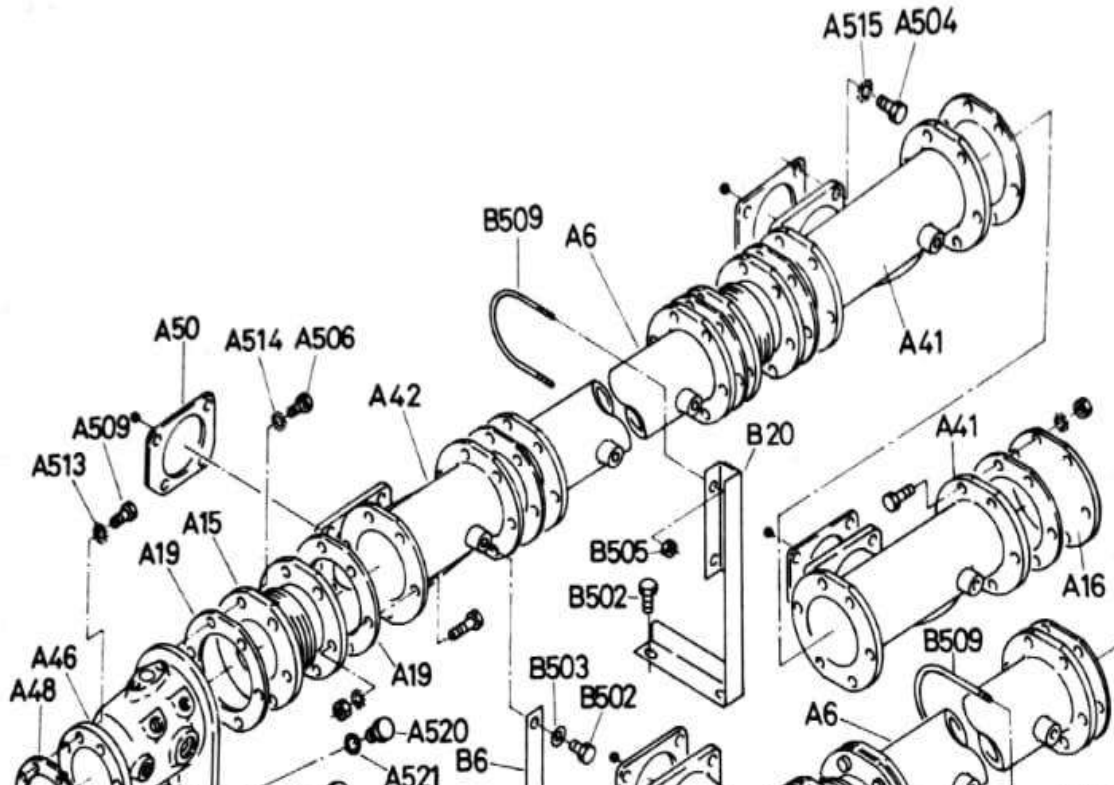
500	X200010020ZZ	BOLT M10X1 . 5X20	
501	Z315010000ZZ	TOOTHED LOCK WASHER M10	
502	Z330003020ZZ	TAPER PIN 3X20	
504	X200010032ZZ	BOLT M10X1 . 5X32	
505	Z315010000ZZ	TOOTHED LOCK WASHER M10	
506	Z415005040ZZ	SPRING PIN 5X40	
508	X225110000ZZ	CASTLE NUT (1) M10X1.5	
509	Z300010000ZZ	FLAT WASHER 10	
510	Z320002025ZZ	SPLIT PIN 2X25	
511	X220310000ZZ	NUT (3) M10X1.5	
514	X225110000ZZ	CASTLE NUT (1) M10X1.5	
515	Z300010000ZZ	FLAT WASHER 10	
516	Z320002025ZZ	SPLIT PIN 2X25	

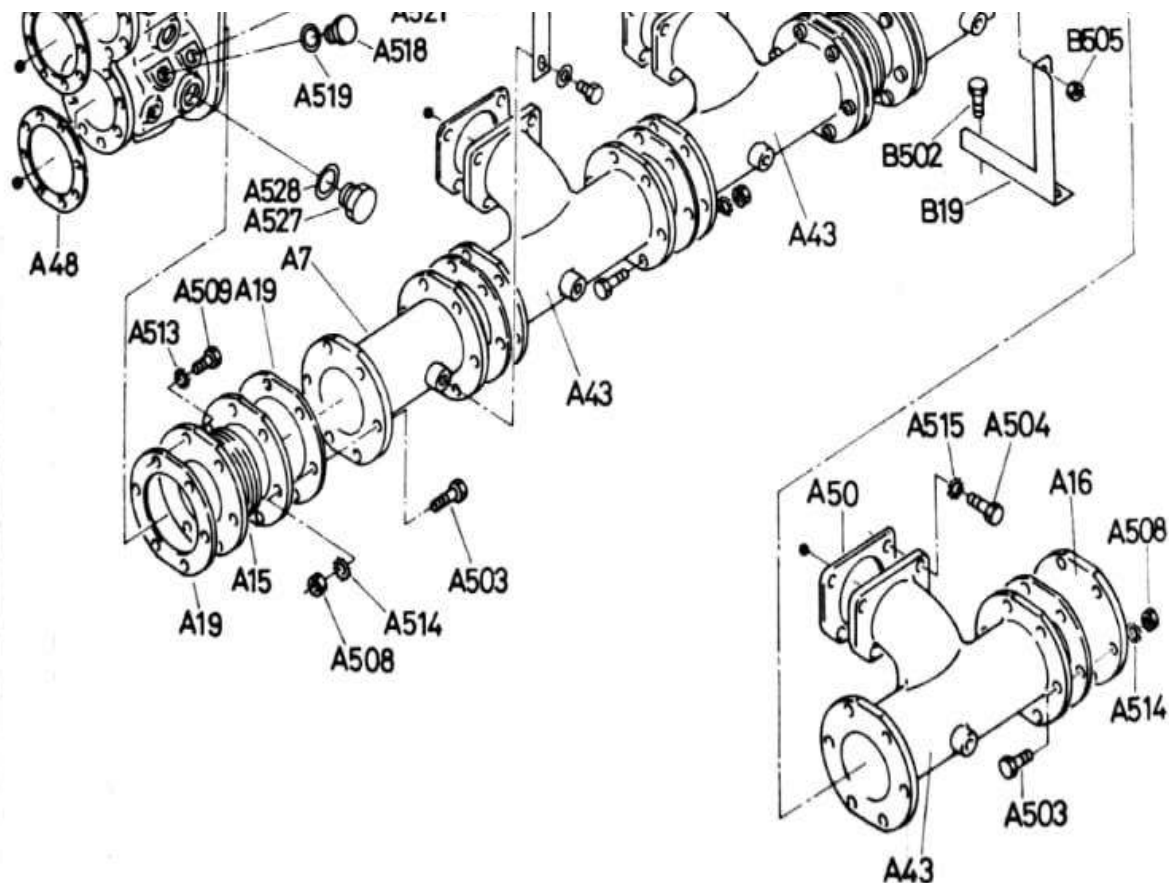
**DAIHATSU**

EXHAUST MANIFOLD (REAR TURBOCHARGER)  
VTR254

SECTION 13  
SHEET 220  
TYPE DK-28

排氣管 (後端過給) VTR254





DK-28

Z

94-4

A...0304 B...0401

**EXHAUST MANIFOLD (REAR TURBOCHARGER)  
VTR254**

TYPE  
DK - 28

SECTION 13  
SHEET 221

No.	Parts No.	Name Of Parts	Quantity
A6	E282170060Z	EXHAUST MANIFOLD (4)	
A7	E282170070Z	EXHAUST MANIFOLD (5)	
A15	E282170150Z	BELLOWS 125AX140	
A16	E282170160Z	BLANK COVER 240	
A19	E282170190Z	GASKET (2), EX . MANIFOLD	
A41	E282170410Z	EXHAUST MANIFOLD - 6D (6)	
A42	E282170420Z	EXHAUST MANIFOLD - 6D (7)	
A43	E282170430Z	EXHAUST MANIFOLD - 6D (8)	
A46	E282170460Z	PIPE, EXHAUST GAS INLET, VTR254	
A48	E282170480Z	GASKET, T/C INLET - 254	
A50	E282170500Z	GASKET (4), EX. MANIFOLD	

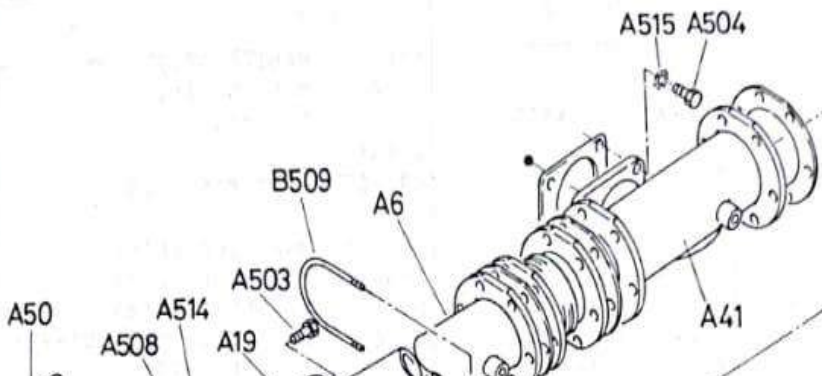
A503	X205014050ZZ	HT BOLT M14x2 . 0X50	
A504	X205016040ZZ	HT BOLT M16X2 . 0X40	
A506	X205014040ZZ	HT BOLT M14X2 . 0X40	
A508	X220014000ZZ	NUT M14X2.0	
A509	X205012035ZZ	HT BOLT M12X1 . 75X	
A513	Z315012000ZZ	TOOTHED LOCK WASHER M12	
A514	Z315014000ZZ	TOOTHED LOCK WASHER M14	
A515	Z315016000ZZ	TOOTHED LOCK WASHER M16	
A518	X570006000DZ	HEX. PLUG 3/4	
A519	Z565002700ZZ	GASKET 27	
A520	X570004000DZ	HEX. PLUG 1/2	
A521	Z565002100ZZ	GASKET 21	
A527	X570012000ZZ	HEX. PLUG 11/4	
A528	Z565004200ZZ	GASKET 42	
B6	E282270060Z	SUPPORTER, EX. MANIFOLD	
B19	E282270190B	BRACKET - 6D (5), EX. MANIFOLD	
B20	E282270200B	BRACKET - 6D (6), EX. MANIFOLD	
B502	X200012025DZ	BOLT M12X1 . 75X25	
B503	Z300012000ZZ	FLAT WASHER 12	
B505	X220016000ZZ	NUT M16X2.0	
B509	Z260115000ZZ	U - BOLT (1) 150	

**DAIHATSU**

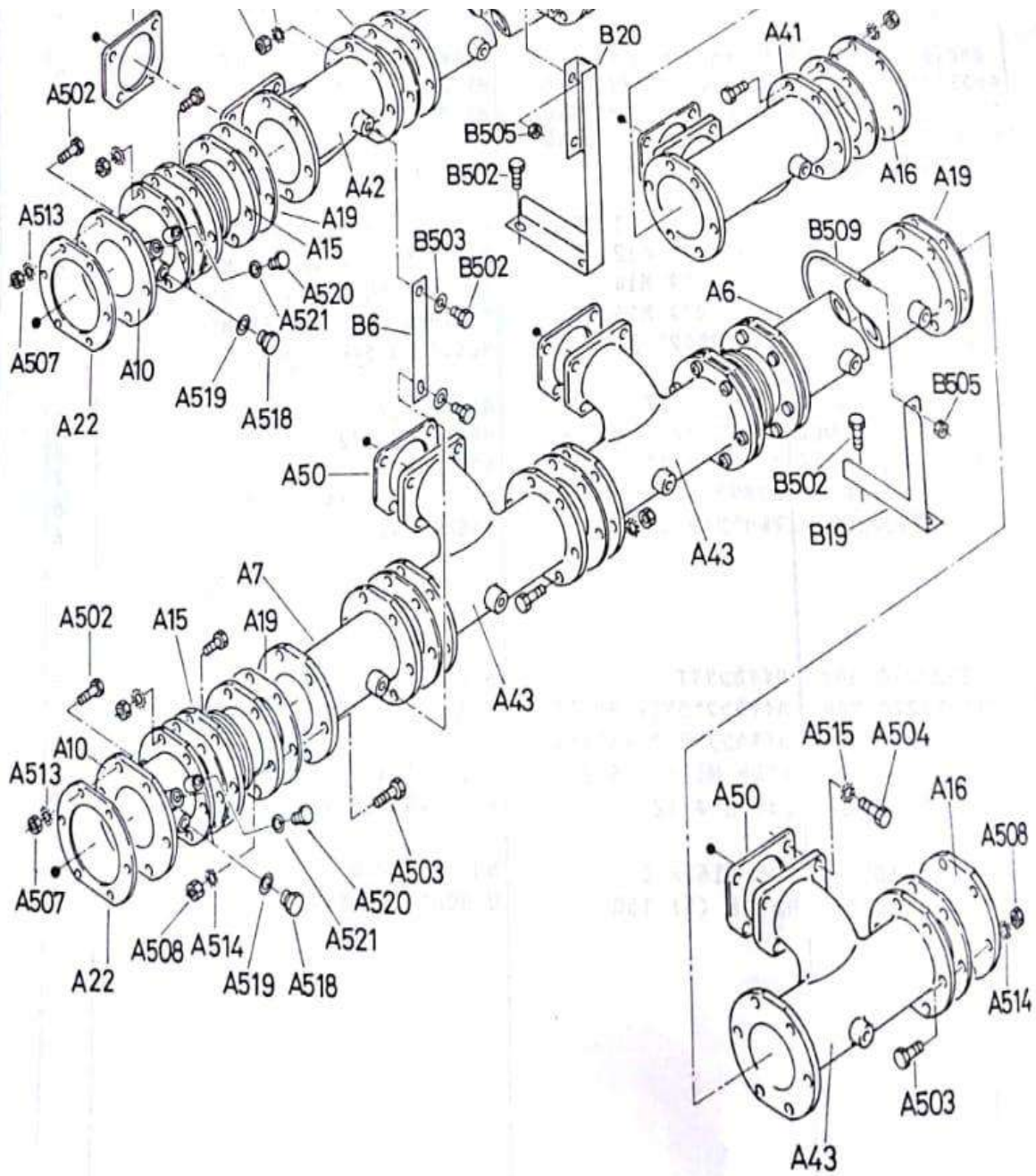
SECTION  
13  
SHEET  
225

TYPE  
DK-28

EXHAUST MANIFOLD (REAR TURBOCHARGER)  
MET30SR  
排氣管 (後端過給) MET30SR







DK-28 | Z 94-4 | A...0304 B...0401

EXHAUST MANIFOLD (REAR TURBOCHARGER) MET30SR			TYPE DK - 28	SECTION 13 SHEET 225
No.	Parts No.	Name Of Parts	Quantity	
A6	E282170060Z	EXHAUST MANIFOLD (4)		
A7	E282170070Z	EXHAUST MANIFOLD (5)		
A10	E282170100Z	EXHAUST GAS INLET PIPE (1)		

A15	E282170150Z	BELLOWS 125AX140	
A16	E282170160Z	BLANK COVER 240	
A19	E282170190Z	GASKET (2), EX. MANIFOLD	
A22	E282170220Z	GASKET, T/C INLET - 30SR	
A41	E282170410Z	EXHAUST MANIFOLD - 6D (6)	
A42	E282170420Z	EXHAUST MANIFOLD - 6D (7)	
A43	E282170430Z	EXHAUST MANIFOLD - 6D (8)	
A50	E282170500Z	GASKET (4), EX, MANIFOLD	
A502	X205012045ZZ	HT BOLT M12X1 . 75X45	
A503	X205014050ZZ	HT BOLT M14X2 . 0X50	
A504	X205016040ZZ	HT BOLT M16X2 . 0X40	
A507	X220012000DZ	NUT M12X1.75	
A508	X220014000DZ	NUT M14X2.0	
A513	Z315012000ZZ	TOOTHED LOCK WASHER M12	
A514	Z315014000ZZ	TOOTHED LOCK WASHER M14	
A515	Z315016000ZZ	TOOTHED LOCK WASHER M16	
A518	X570006000ZZ	HEX. PLUG 3/4	
A519	Z565002700ZZ	GASKET 27	
A520	X570004000DZ	HEX. PLUG 1/2	
A521	Z565002100ZZ	GASKET 21	
B6	E282270060Z	SUPPORTER, EX. MANIFOLD	
B19	E282270190B	BRACKET -6D (5), EX. MANIFOLD	
B20	E282270200B	BRACKET -6D (6), EX. MANIFOLD	
B502	X200012025DZ	BOLT M12X1 . 75X25	
B503	Z300012000ZZ	FLAT WASHER 12	
B505	X220016000ZZ	NUT M16X2.0	
B509	Z260115000ZZ	U - BOLT (1) 150	

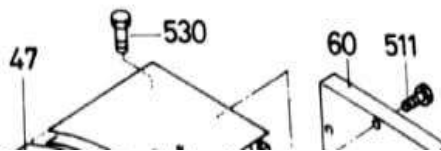
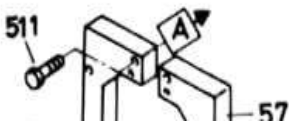
**DAIHATSU**

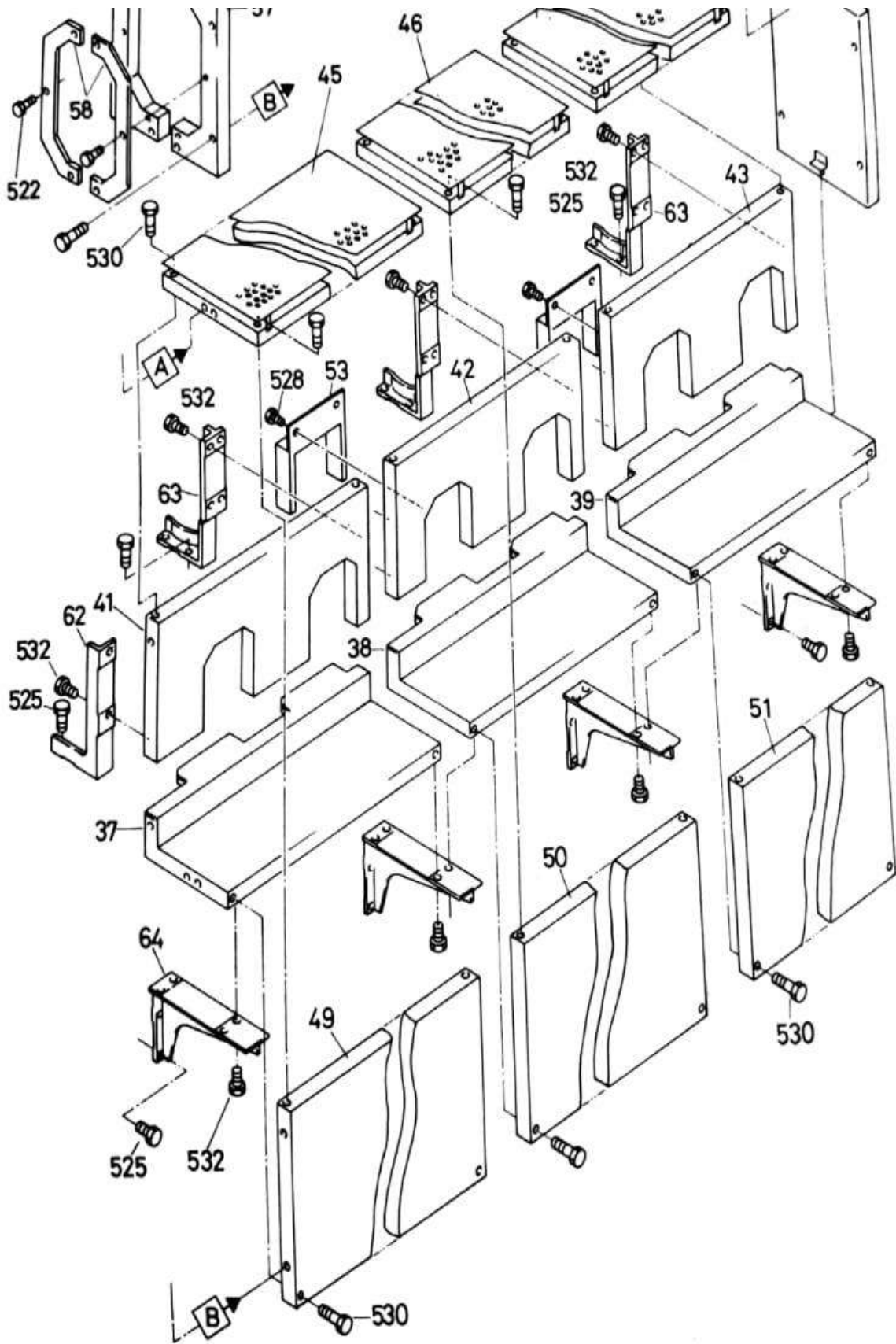
SECTION  
13  
SHEET  
230

TYPE  
DK-28

EXHAUST MANIFOLD COVER

排気管カバー





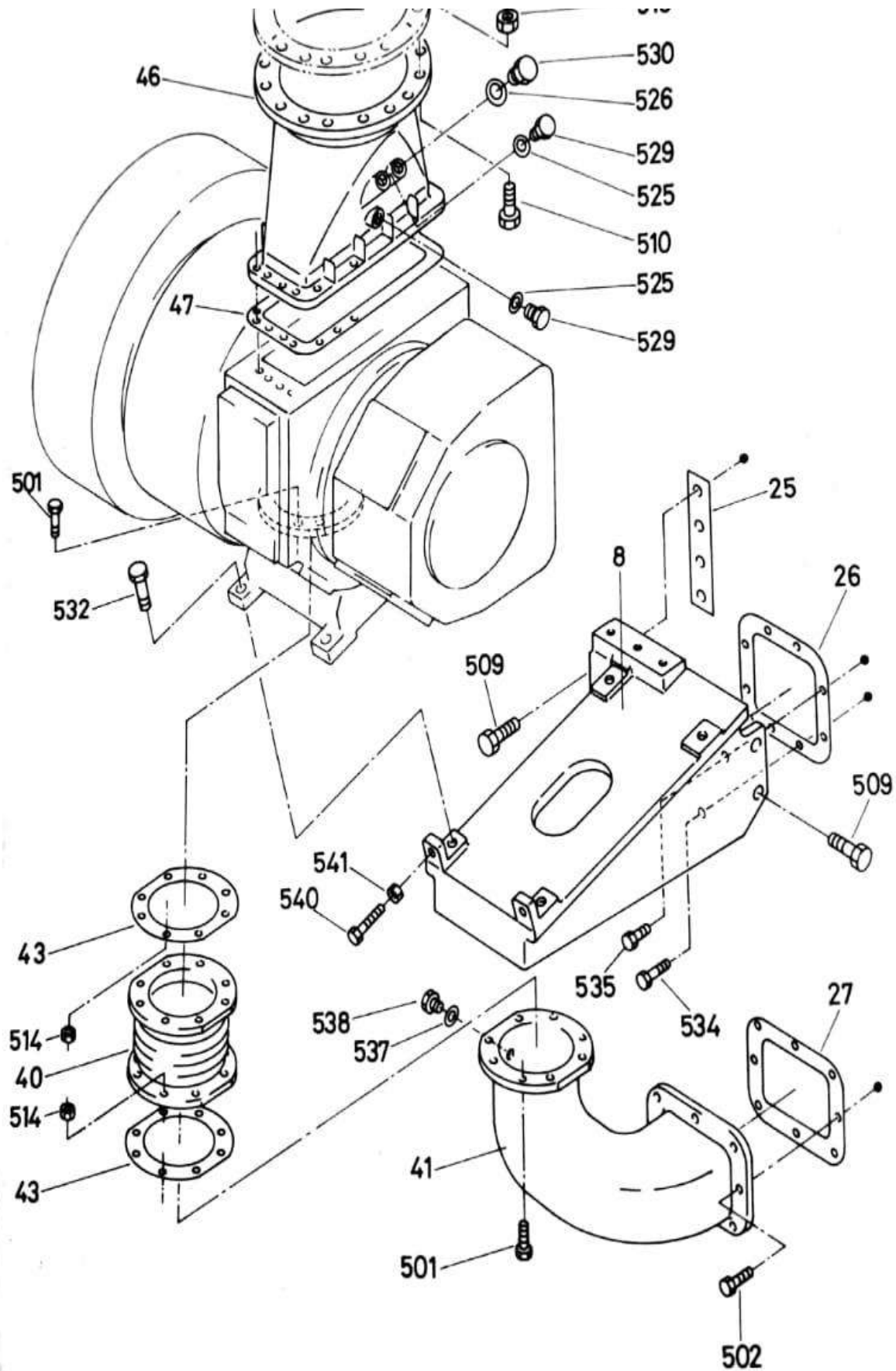
EXHAUST MANIFOLD COVER			TYPE DK - 28	SECTION 13 SHEET 231
No.	Parts No.	Name Of Parts	Quantity	
37	E282570370Z	COVER (10) - 1, EX. MANIFOLD		
38	E282570380Z	COVER (10) - 2, EX. MANIFOLD		
39	E282570390Z	COVER (10) - 3, EX. MANIFOLD		
41	E282570410Z	COVER (11) - 1, EX. MANIFOLD		
42	E282570420Z	COVER (11) - 2, EX. MANIFOLD		
43	E282570430Z	COVER (11) - 3, EX. MANIFOLD		
45	E282570450Z	COVER (12) - 1, EX. MANIFOLD		
46	E282570460Z	COVER (12) - 2, EX. MANIFOLD		
47	E282570470Z	COVER (12) - 3, EX. MANIFOLD		
49	E282570490Z	COVER (13) - 1, EX. MANIFOLD		
50	E282570500Z	COVER (13) - 2, EX. MANIFOLD		
51	E282570510Z	COVER (13) - 3, EX. MANIFOLD		
53	E282570530Z	COVER (14), EX. MANIFOLD		
57	E282570570Z	COVER (15), EX. MANIFOLD		
58	E282570580Z	COVER (16), EX. MANIFOLD		
60	E282570600Z	COVER (17), EX. MANIFOLD		
62	E282570620Z	BRACKET - 1, EX. MANI. COVER		
63	E282570630A	BRACKET - 2, EX. MANI. COVER		
64	E282570640Z	BRACKET - 3, EX. MANI. COVER		
511	X200010060ZZ	BOLT M10X1 . 5X60		
522	X200010018ZZ	BOLT M10X1 . 5X18		
525	X200012030ZZ	BOLT M12X1 . 75X30		
528	X200010035ZZ	BOLT M10X1 . 5X35		
530	X200010065ZZ	BOLT M10X1 . 5X65		
532	X200010030ZZ	BOLT M10X1 . 5X30		

**DAIHATSU**

SECTION  
13  
SHEET  
240

TYPE  
DK-28

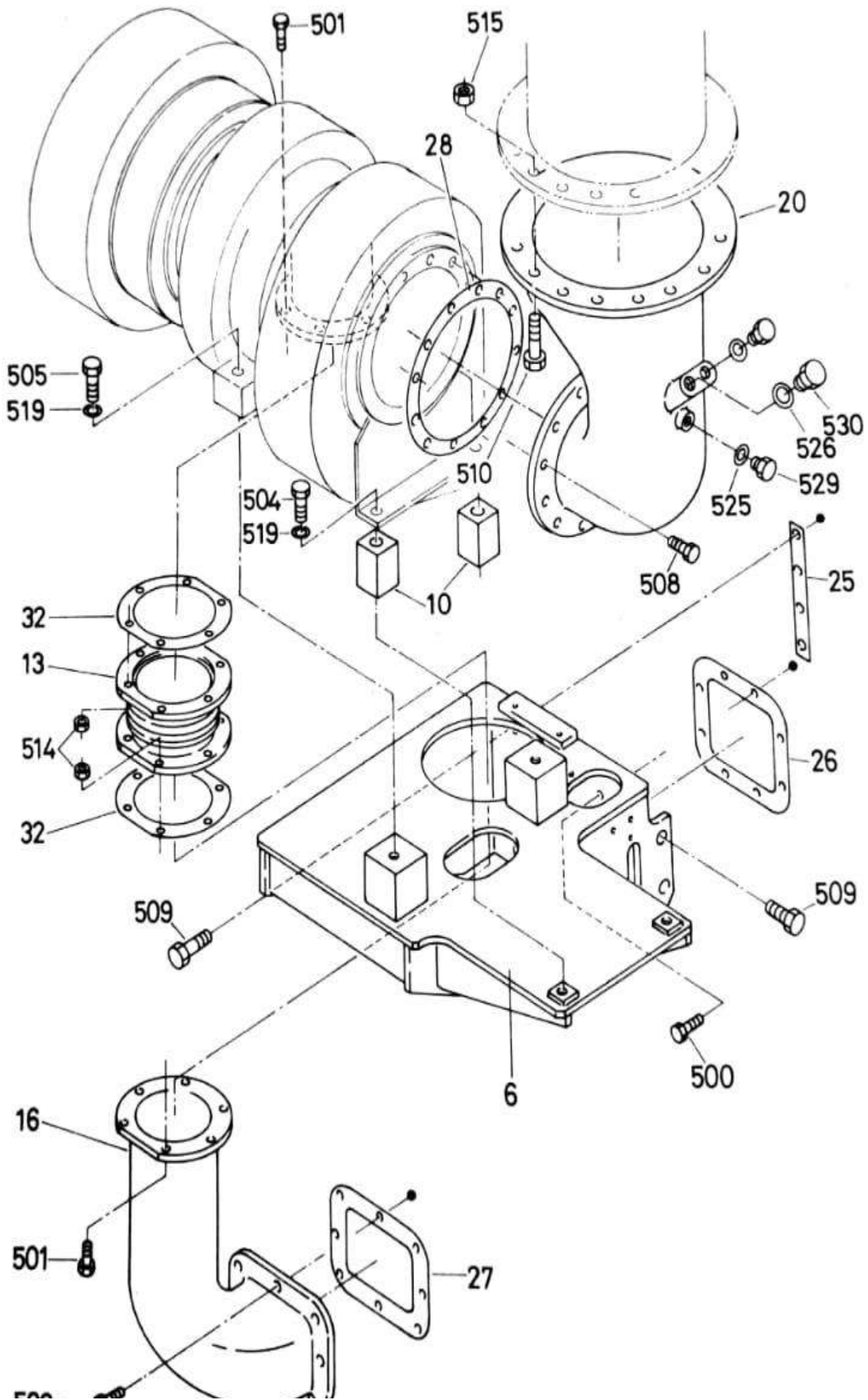
TURBOCHARGER FITTING (REAR TURBOCHARGER)  
VTR254  
過給機取付(後端過給) VTR254



<b>TURBOCHARGER FITTING (REAR TURBOCHARGER) VTR254</b>			<b>TYPE DK - 28</b>	<b>SECTION 13 SHEET 241</b>
<b>No.</b>	<b>Parts No.</b>	<b>Name Of Parts</b>	<b>Quantity</b>	
8	E282370080Z	BRACKET, T/C VTR254 - RT		
25	E282370250Z	GASKET, T/C BRACKET		
26	E282370260Z	GASKET 285 / 290		
27	E282370270Z	GASKET 240 / 290		
40	E282370400Z	BELLOWS 175AX143 (254)		
41	E282370410Z	AIR OUTLET DUCT, T/C VTR254 - RT		
43	E282370430Z	GASKET 185 / 260		
46	E642300130A	GAS OUTLET DUCT - VTR254		
47	E282350230Z	GASKET, GAS OUTLET DUCT VTR254A		
501	X200012045ZZ	BOLT M12X1 . 75X45		
502	X200012030ZZ	BOLT M12X1 . 75X30		
509	X205022055ZZ	HT BOLT M22X2 . 5X55		
510	X205022080ZZ	HT BOLT M22X2 . 5X80		
514	X220012000ZZ	NUT M12X1.75		
515	X220022000ZZ	NUT M22X2.5		
525	Z565002100ZZ	GASKET 21		
526	Z565002700ZZ	GASKET 27		
529	X570004000DZ	HEX. PLUG 1/2		
530	X570006000DZ	HEX. PLUG 3/4		
532	X200016085ZZ	BOLT M16X2 . 0X85		
534	X200012045ZZ	BOLT M12X1 . 75X45		
535	X200012055ZZ	BOLT M12X1 . 75X55		
537	Z565002116ZZ	GASKET 21		
538	X570004000ZZ	HEX. PLUG 1/2		
540	X213020100ZZ	JACK BOLT M20X2 . 5X100		
541	X220020000ZZ	NUT M20X2.5		

**DAIHATSU**

<b>SECTION 13</b>	<b>TYPE DK-28</b>	<b>TURBOCHARGER FITTING (REAR TURBOCHARGER) MET30SR</b>
<b>SHEET 245</b>		<b>過給機取付 (後端過給) MET30SR</b>



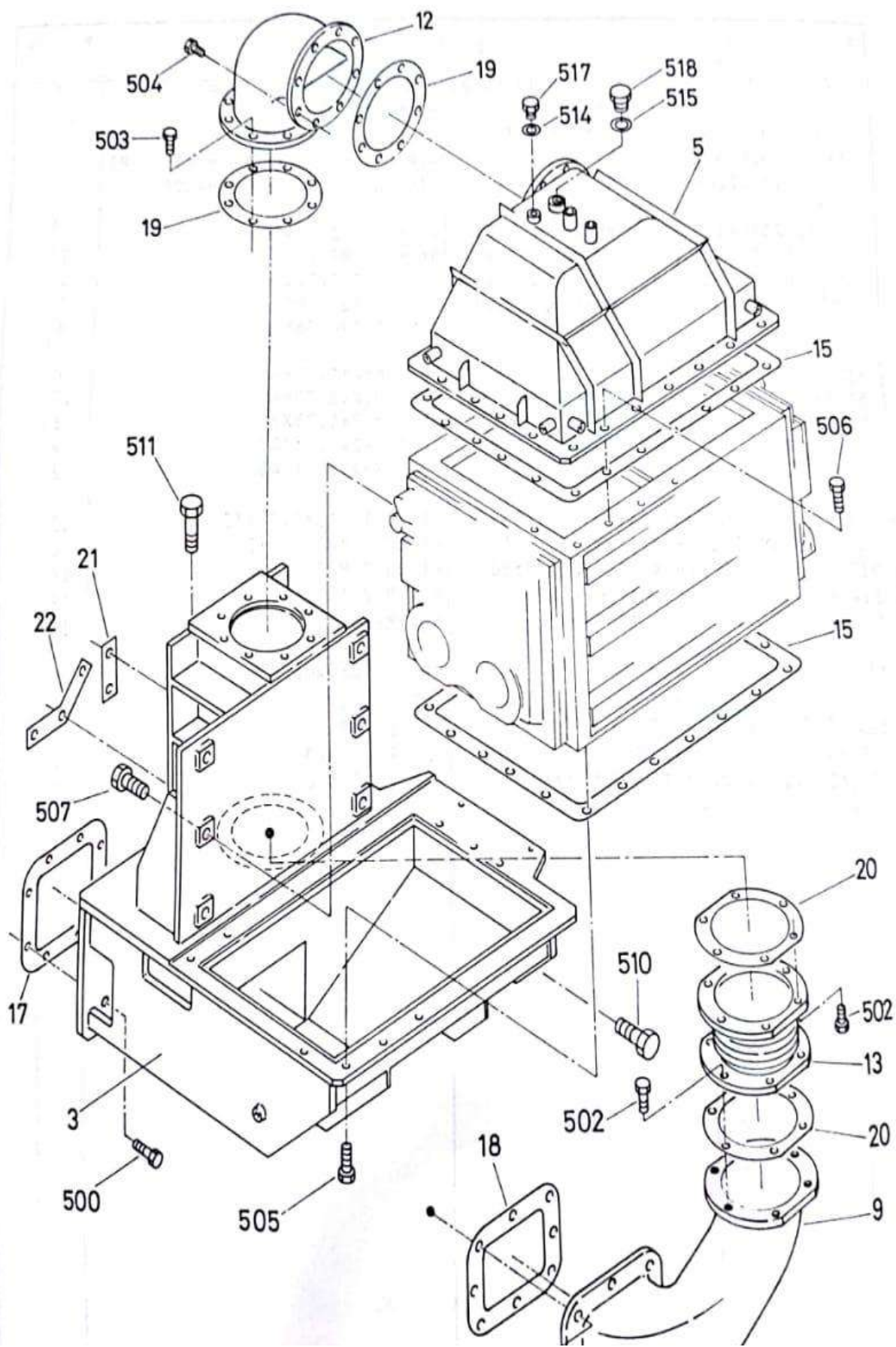
DK-28	Z	94-4	0404
-------	---	------	------

TURBOCHARGER FITTING (REAR TURBOCHARGER) MET30SR			TYPE DK - 28	SECTION 13 SHEET 246
No.	Parts No.	Name Of Parts	Quantity	
6	E282370060Z	BRACKET, T/C - MET30SR - RT		
10	E282370100Z	MOUNT, T/C - 30SR		
13	E282370130Z	BELLOWS 175AX143		
16	E282370160Z	AIR OUTLET DUCT, T/C MET30SR - RT		
20	E282370200A	GAS OUTLET DUCT - 30SR - 400A		
25	E282370250Z	GASKET, T/C BRACKET		
26	E282370260Z	GASKET 285/290		
27	E282370270Z	GASKET 240/290		
28	E282370280Z	GASKET 320/390		
32	E282370320Z	GASKET 190/265		
500	X200012045ZZ	BOLT M12X1 . 75X45		
501	X200012045ZZ	BOLT M12X1 . 75X45		
502	X200012030ZZ	BOLT M12X1 . 75X30		
504	X200022100ZZ	BOLT M22X2 . 5X100		
505	X200022145ZZ	BOLT M22X2 . 5X145		
508	X205012030ZZ	HT BOLT M12X1 . 75X30		
509	X205022055ZZ	HT BOLT M22X2 . 5X55		
510	X205022080ZZ	HT BOLT M22X2 . 5.80		
514	X220012000ZZ	NUT M12X1.75		
515	X220022000ZZ	NUT M22X2.5		
519	Z310020000ZZ	SPRING WASHER M20		
525	Z565002100ZZ	GASKET 21		
526	Z565002700ZZ	GASKET 27		
529	X570004000DZ	HEX. PLUG 1/2		
530	X570006000DZ	HEX. PLUG 3/4		

**DAIHATSU**

SECTION 13	TYPE DK-28	INTERCOOLER FITTING (REAR TURBOCHARGER) 空気冷却器取付(後端過給)
SHEET 250		







DK-28 | Z | 94-4 | 0204

INTERCOOLER FITTING (REAR TURBOCHARGER)			TYPE DK - 28	SECTION 13 SHEET 251
No.	Parts No.	Name Of Parts	Quantity	
3	E282670030A	I/C BRACKET - RT		
5	E282670050Z	AIR INLET DUCT -DK126		
9	E282670090A	INTAKE AIR PIPE - RT (1)		
12	E282670120Z	INTAKE AIR PIPE 6D - RT (2)		
13	E282370130Z	BELLOWS 175AX143		
15	E322600630Z	GASKET, INTERCOOLER (DKC98)		
17	E282370260Z	GASKET 285/290		
18	E282370270Z	GASKET 240/290		
19	E282670190Z	GASKET 190/274		
20	E282370320Z	GASKET 190/265		
21	E282670210Z	GASKET (1), I/C BRACKET		
22	E282670220Z	GASKET (2), I/C BRACKET		
500	X200012050ZZ	BOLT M12X1 . 75X50		
501	X200012030ZZ	BOLT M12X1 . 75X30		
502	X200012030ZZ	BOLT M12X1 . 75X30		
503	X200012030ZZ	BOLT M12X1 . 75X30		
504	X200012030ZZ	BOLT M12X1 . 75X30		
505	X200016035ZZ	BOLT M16X2 . 0X35		
506	X200016035ZZ	BOLT M16X2 . 0X35		
507	X200022065ZZ	BOLT M22X2 . 5X65		
510	X205022060ZZ	HT BOLT M22X2 . 5X60		
511	X205022080ZZ	HT BOLT M22X2 . 5X80		
514	Z565002100ZZ	GASKET 21		
515	Z565002700ZZ	GASKET27		
517	X570004000ZZ	HEX. PLUG 1/2		
518	X570006000ZZ	HEX. PLUG 3/4		

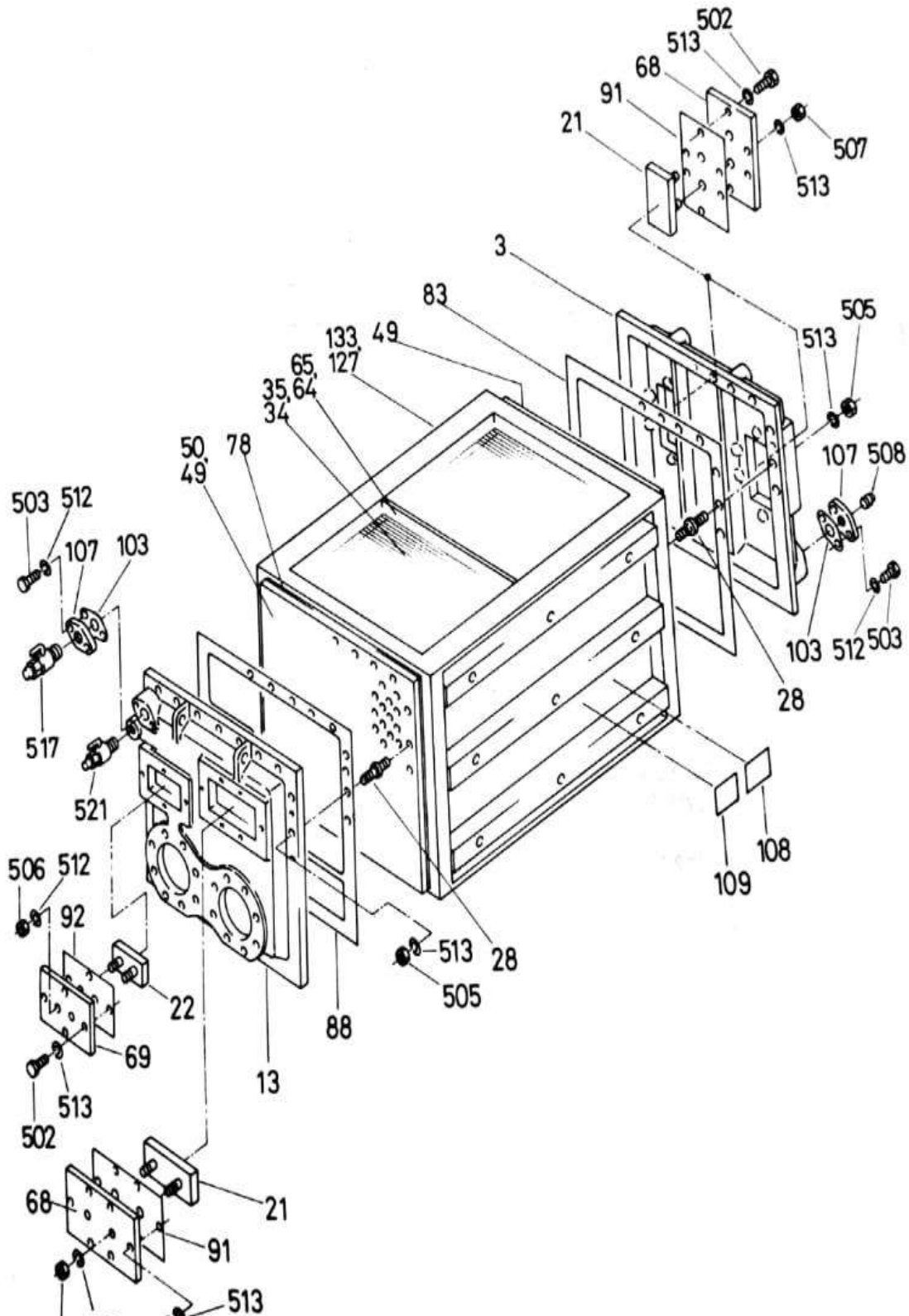
**DAIHATSU**

INTERCOOLER (DK)

SECTION  
13  
SHEET  
260

TYPE  
DK-28

INTERCOOLER (DK)  
空氣冷却器 (DK)



513  
507 502

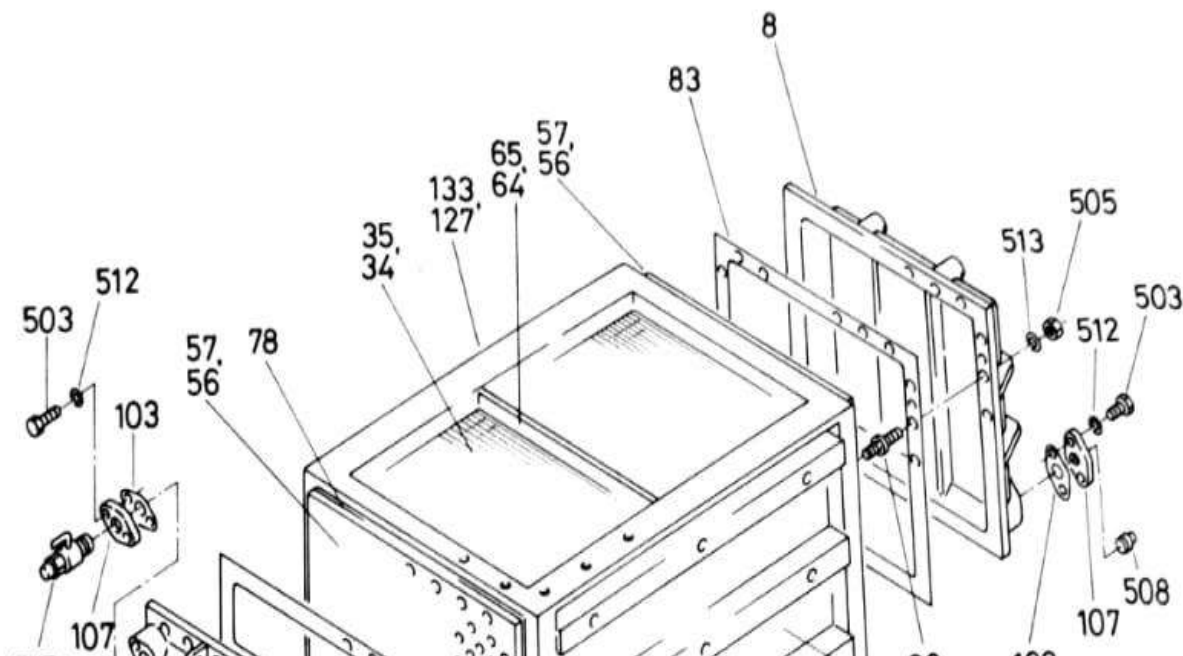
DK-28 Z 94-4 I 302

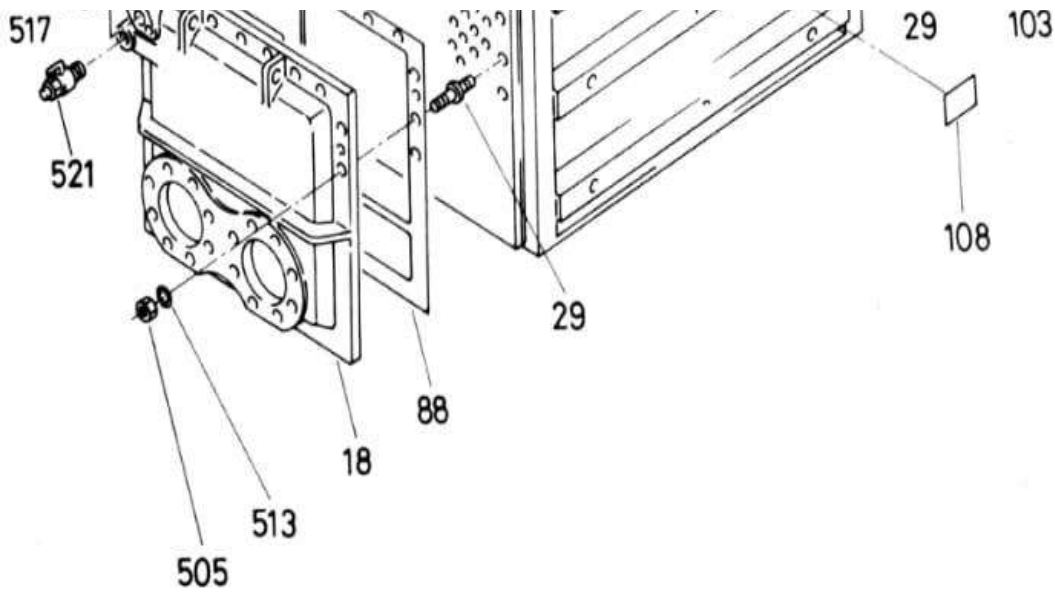
INTERCOOLER (DK)			TYPE DK - 28	SECTION 13 SHEET 261
No.	Parts No.	Name Of Parts	Quantity	
	C048590040C C048590050C	INETR COOLER DX80 INETR COOLER DX98 FLAME ASSY. DK80 FLAME ASSY. DK 98		
3	C048510030A	SIDE COVER (A)		
13	C048510130A	SIDE COVER (B)		
21	C048520210Z	ZINC PROTECTOR (A)		
22	C048420330Z	ZINC PROTECTOR (A)		
28	C047900610Z	STUD BOLT M12X72		
34	C048570340C	FIN TUBE - 80		
35	C048570350B	FIN TUBE - 98		
49	C048570490A	TUBE PLATE		
50	C048570500Z	TUBE PLATE		
64	C048570604A	SUPPORT BEAM NO4		
65	C048570605A	SUPPORT BEAM NO5		
68	C048570680Z	HEAD (A), ZINC PROTECTOR		
69	C048570680Z	HEAD (A), ZINC PROTECTOR		
78	C048570780A	GASKET (1)		
83	C048570830C	GASKET (2)		
88	C048570880C	GASKET (3)		
91	C048570910A	GASKET (4)		
92	C048471010A	GASKET (4)		
103	C048471090Z	GASKET (8)		
107	C048471120Z	OVAL FLANGE (2)		
108	C048170760A	NAME PLATE		
109	C048170780Z	CAUTION PLATE		
127	C048571270B	FLAME		

133	C048571330A	FLAME	
502	X200012030ZZ	BOLT M12X1 . 75X30	
503	X200010025ZZ	BOLT M10X1 . 5X25	
505	X227012000ZZ	U - NUT M12X1 .75	
506	X220010000ZZ	NUT M10X1.5	
507	X220012000ZZ	NUT M12X1.75	
508	Z571104000JZ	TAPER PLUG (1) 1/2	
512	Z310010000ZZ	SPRING WASHER M10	
513	Z310012000ZZ	SPRING WASHER M12	
517	Z580204000ZZ	DRAIN COCK (2) 1/2	
521	Z580203000ZZ	DRAIN COCK (2) 3/8	

**DAIHATSU**

SECTION 13	TYPE DK-28	INTERCOOLER (DK-Hz)
SHEET 265		空氣冷却器 (DK-Hz)





DK-28 | Z 94-4 | 1302

INTERCOOLER (DK - HZ)			TYPE DK - 28	SECTION 13 SHEET 266
No.	Parts No.	Name Of Parts	Quantity	
	C048590100C C048590110C	INTER COOLER DK80HZ INTER COOLER DK98HZ FLAME ASSY. DK80HZ FLAME ASSY. DK98HZ		
8	C048510080A	SIDE COVER (A)		
18	C048510180A	SIDE COVER (B)		
29	C047900620Z	STUD BOLT M12X75		
34	C048570340B	FIN TUBE - 80		
35	C048570350B	FIN TUBE - 98		
56	C048570560A	TUBE PLATE		
57	C048570570Z	TUBE PLATE		
64	C048570604A	SUPPORT BEAM NO4		
65	C048570605A	SUPPORT BEAM NO5		

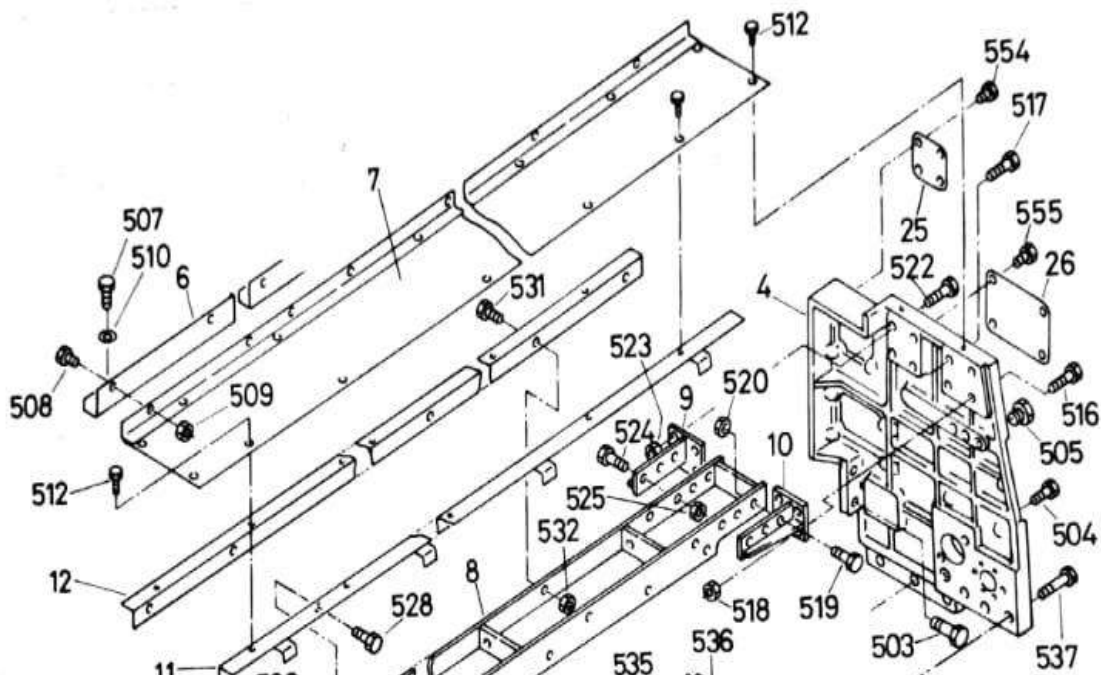
78	C048570780A	GASKET (1)	
83	C048570830C	GASKET (2)	
88	C048570880C	GASKET (3)	
103	C048471090Z	GASKET (8)	
107	C048471120Z	OVAL FLANGE (2)	
108	C048710760A	NAME PLATE	
127	C048571270B	FLAME	
133	C048571330A	FLAME	
503	X200010025ZZ	BOLT M10X1 . 5X25	
505	X227012000ZZ	U - NUT M12X1.75	
508	Z571104000JZ	TAPER PLUG (1) 1/2	
512	Z310010000ZZ	SPRING WASHER M10	
513	Z310012000ZZ	SPRING WASHER M12	
517	Z580204000ZZ	DRAIN COCK (2) 1/2	
521	Z580203000ZZ	DRAIN COCK (2) 3/8	

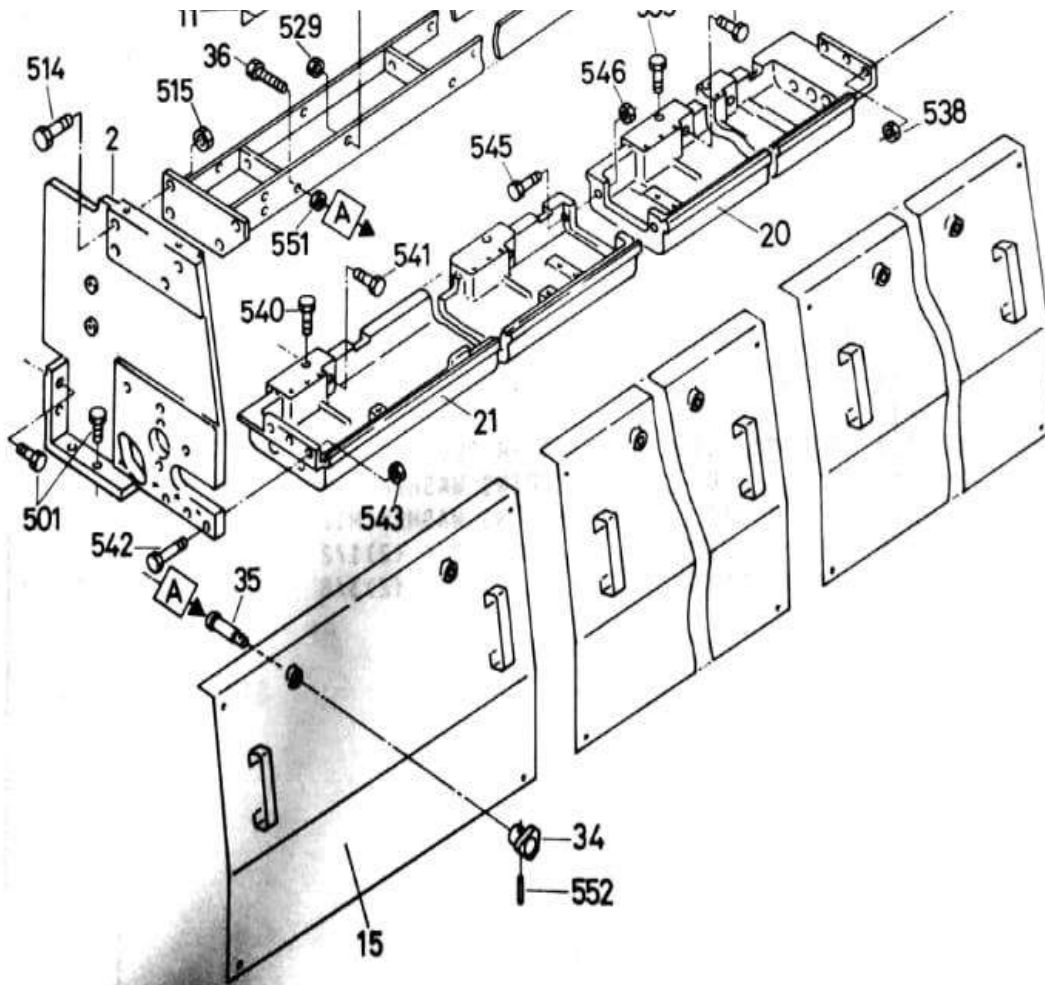
**DAIHATSU**

**FUEL OIL INJECTION PUMP SIDE COVER**  
**燃料噴射ポンプサイドカバー**

SECTION  
13  
SHEET  
270

TYPE  
DK-28





DK-28 Z 94-4 0304

FUEL OIL INJECTION PUMP SIDE COVER			TYPE DK - 28	SECTION 13 SHEET 271
No.	Parts No.	Name Of Parts	Quantity	
2	E287270020A	COVER (FRONT, HEAT BOX)		
4	E287270040A	COVER (REAR, HEAT BOX)		
6	E287270060Z	COVER (UPPER - 1), HEAT BOX		
7	E287270070Z	COVER (UPPER - 2), HEAT BOX		
8	E287270080Z	COVER HOLDER		
9	E287270090Z	SUPPORTER (1), COVER HOLDER		
10	E287270100Z	SUPPORTER (2), COVER HOLDER		
11	E287270110Z	BRACKET (1), UPPER COVER		
12	E287270120Z	BRACKET (2), UPPER COVER		
15	E287270150B	HEAT BOX COVER, SIDE - 1		

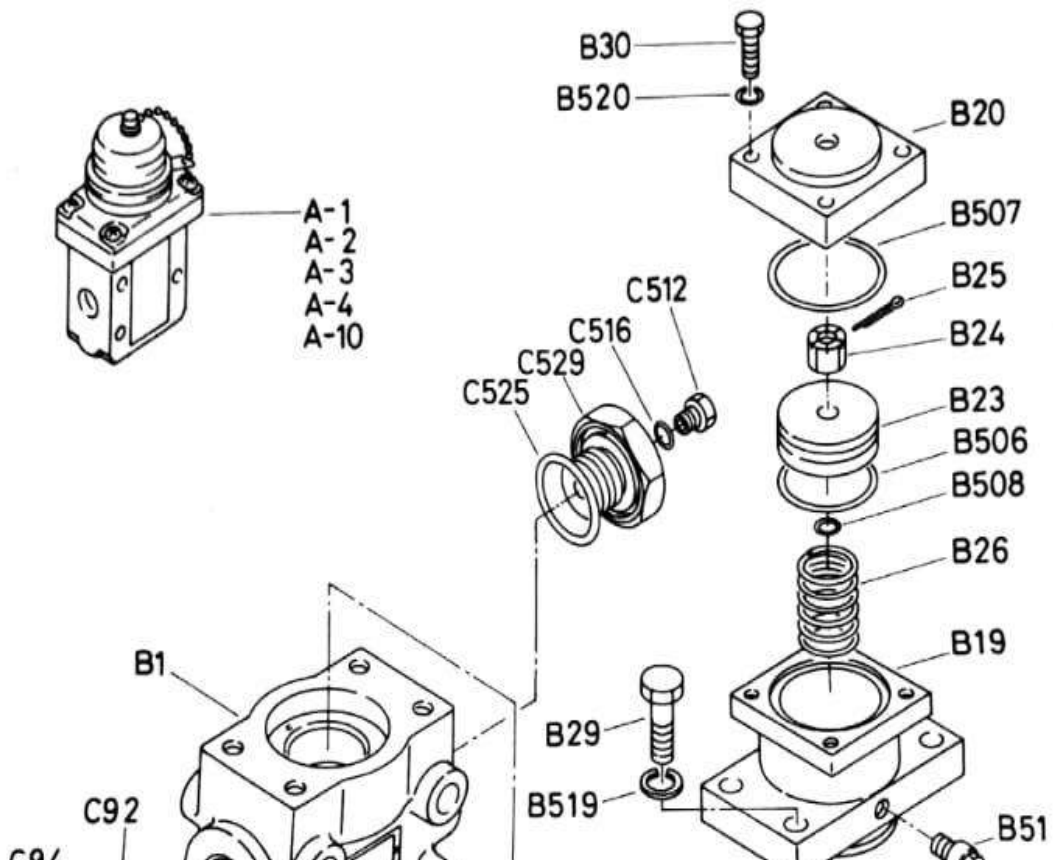


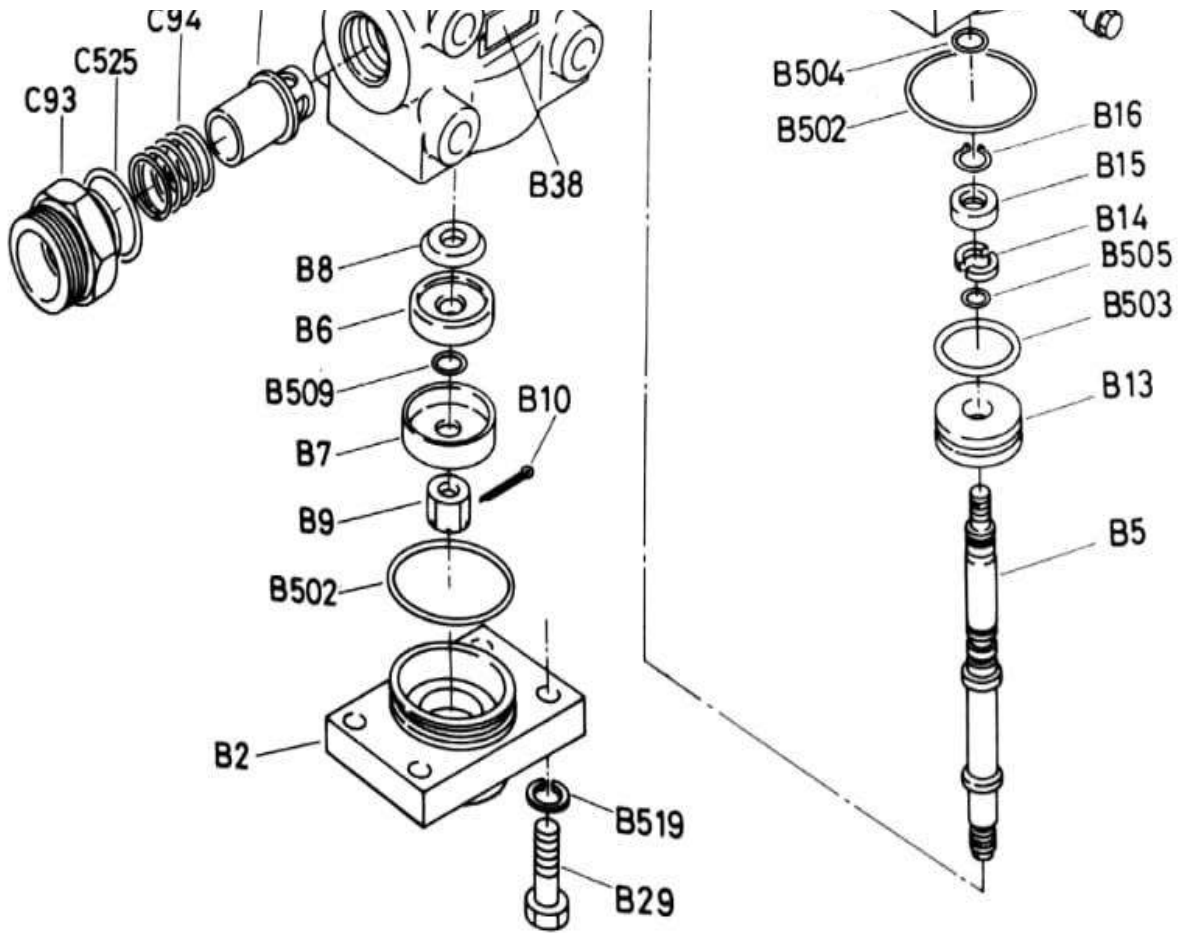
20	E287270200Z	COVER (UNDER - 1), HEAT BOX	
21	E287270210Z	COVER (UNDER - 2), HEAT BOX	
25	E287270250Z	BLANK COVER - 1	
26	E287270260Z	BLANK COVER - 2	
34	E266300050A	KNOB, CYLINDER HEAD COVER	
35	E227250040Z	KNOB SHAFT	
36	E287270360Z	BOLT M10X1 . 5X50	
501	X200012030ZZ	BOLT M12X1 . 75X30	
503	X200012030ZZ	BOLT M12X1 . 75X30	
504	X200012035ZZ	BOLT M12X1 . 75X35	
505	X570002000ZZ	HEX. PLUG 1/4	
507	X200010018ZZ	BOLT M10X1 . 5X18	
508	X200010022ZZ	BOLT M10X1 . 5X22	
509	X220010000ZZ	NUT M10X1.5	
510	Z300010000ZZ	FLAT WASHER 10	
512	X200008012ZZ	BOLT M8X1 .25X12	
514	X200016065ZZ	BOLT M16X2 .0X65	
515	X220016000ZZ	NUT M16X2.0	
516	X200012080ZZ	BOLT M12X1 . 75X80	
517	X200012060ZZ	BOLT M12X1 . 75X60	
518	X220012000ZZ	NUT M12X1.75	
519	X200012040ZZ	BOLT M12X1 . 75X40	
520	X220012000ZZ	NUT M12X1.75	
522	X200012060ZZ	BOLT M12X1 . 75X60	
523	X220012000ZZ	NUT M12X1.75	
524	X200012040ZZ	BOLT M12X1 . 75X40	
525	X220012000ZZ	NUT M12X1.75	
528	X200010030ZZ	BOLT M10X1 . 5X30	
529	X220010000ZZ	NUT M10X1.5	
531	X200010030ZZ	BOLT M10X1 . 5X30	
532	X220010000ZZ	NUT M10X1.5	
535	X200012025ZZ	BOLT M12X1 . 75X25	
536	X220012000ZZ	NUT M12X1.75	
537	X200012060ZZ	BOLT M12X1 . 75X60	
<b>FUEL OIL INJECTION PUMP SIDE COVER</b>			<b>TYPE</b> DK - 28
			<b>SECTION 13</b> SHEET 272

No.	Parts No.	Name Of Parts	Quantity
538	X220012000ZZ	NUT M12X . 75	
540	X200012025ZZ	BOLT M12X1 . 75X25	
541	X220012000ZZ	NUT M12X1 . 75	
542	X200012060ZZ	BOLT M12X1 . 75X60	
543	X220012000ZZ	NUT M12X1 . 75	
545	X200012045ZZ	BOLT M12X1 . 75X45	
546	X220012000ZZ	NUT M12X1 . 75	
551	X220010000ZZ	NUT M10X1.5	
552	Z415004024ZZ	SPRING PIN 4X24	
554	X200010014ZZ	BOLT M10X1 . 5X14	
555	X200010014ZZ	BOLT M10X1 . 5X14	

**DAIHATSU**

SECTION 14 TYPE DK-28 STARTING AIR VALVE & STARTING AIR CONTROL VALVE  
 SHEET 10 始動弁・操作弁





DK-28 Z 94-4 A...0000 B...0200 C...0000

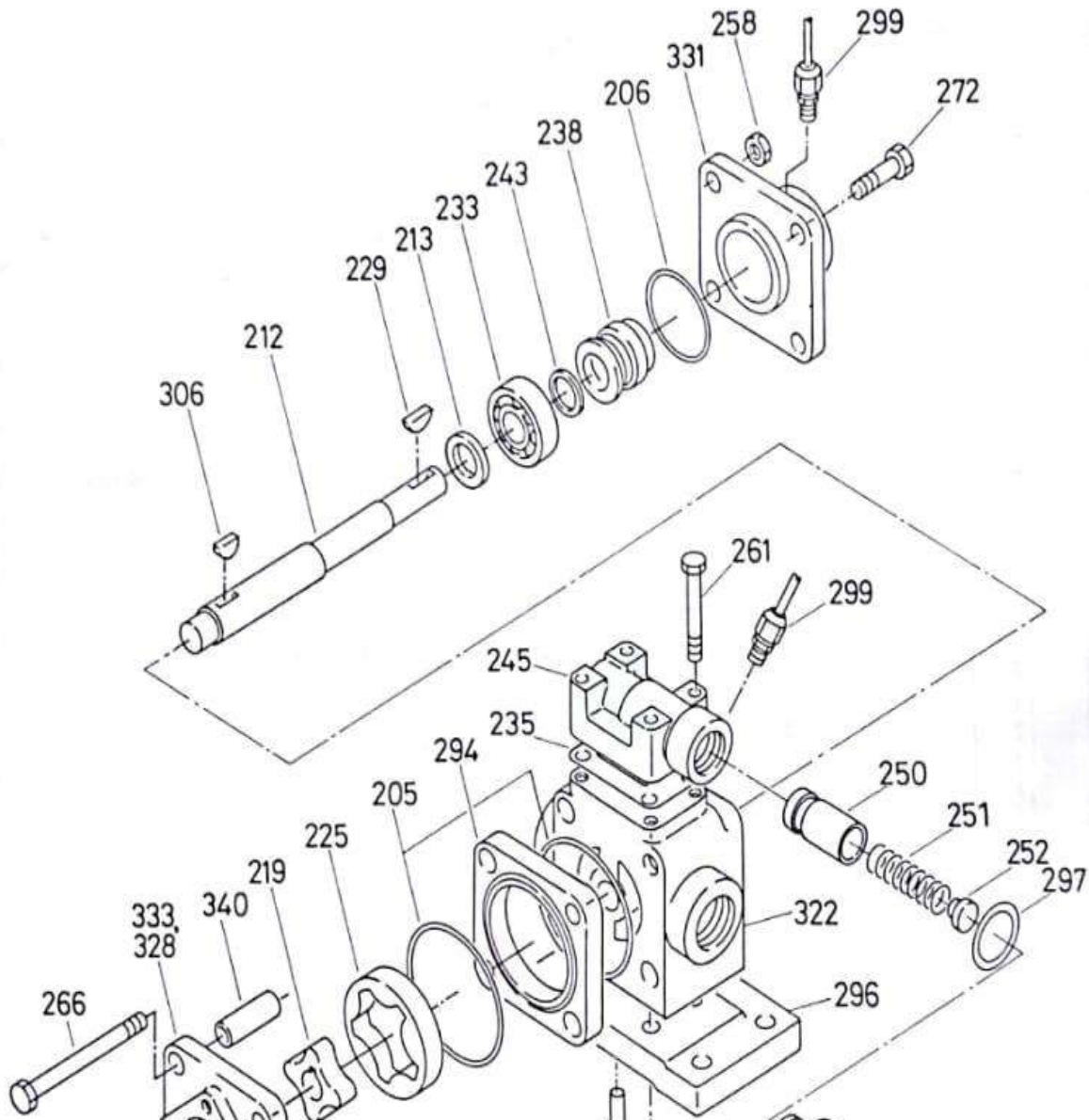
STARTING AIR VALVE & STARTING AIR CONTROL VALVE			TYPE DK - 28	SECTION 13 SHEET 11
No.	Parts No.	Name Of Parts	Quantity	
A	S108509010Z	STARTING OPERATION VALVE		
A1	S108500010Z	MANUAL VALVE HSV2306		
A2	S108500020Z	PROTECTION COVER		
A3	S108500030Z	RING		
A4	S109600040Z	BRACKET		
A10	A226570280Z	LABEL, STARTING OPERTION VALVE		
B	S108709010A	MAIN AIR STARTING VALVE 32A		
B1	S108700010Z	S.A. VALVE BODY		
B2	S108700020Z	COVER 1		
B5	S108700050Z	VALVE SHAFT		
B6	S108700060Z	VALVE		

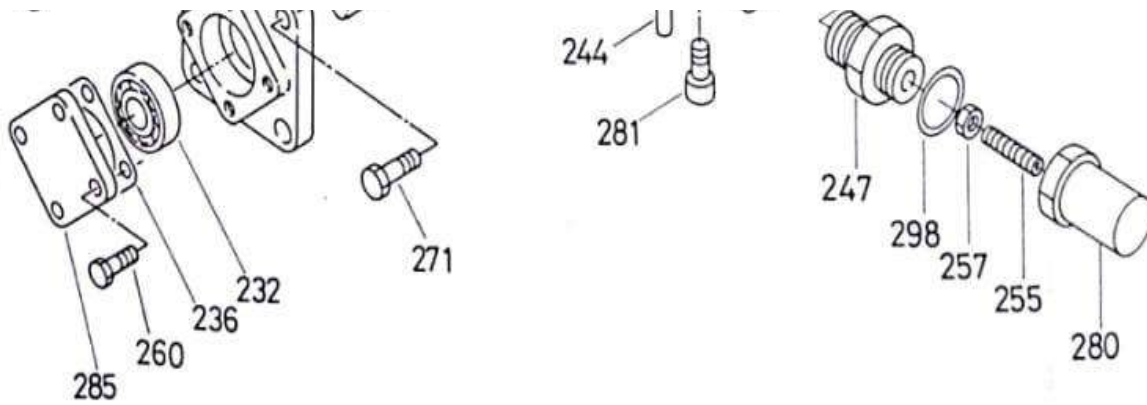
B7	S108700070Z	SEAT, VALVE	
B8	S108700080Z	COVER, VALVE	
B9	S108700090Z	HEXAGON SLOTTED & CASTLE UNIT	
B10	S108700100Z	SPLIT PIN 3.2X25	
B13	S108700130Z	PISTON A	
B14	S108700140Z	KEY	
B15	S108700150Z	RETAINER, KEY	
B16	S108700160Z	STOP RING A15X1.00	
B19	S108700190Z	CYLINDER	
B20	S108700200Z	COVER 2	
B23	S108700230Z	PISTON 8	
B24	S108700240Z	HEXAGON SLOTTED & CASTLE UNIT	
B25	S108700250Z	SPLIT PIN 2.5X25	
B26	S108700260Z	SPRING 4X36X60	
B29	S108700290Z	BOLT M12X40	
B30	S108700300Z	BOLT M8X25	
B38	A226570290Z	LABEL, MAIN AIR STARTING VALVE	
B51	S108600510Z	FILTER	
B502	Z560206531ZZ	O RING	
B503	Z560103835ZZ	O RING	
B504	Z560101524ZZ	O RING	
<b>STARTING AIR VALVE &amp; STARTING AIR CONTROL VALVE</b>			<b>TYPE DK - 28</b>
			<b>SECTION 13 SHEET 12</b>
<b>No.</b>	<b>Parts No.</b>	<b>Name Of Parts</b>	<b>Quantity</b>
B505	Z560101124ZZ	O RING	
B506	Z560104935ZZ	O RING	
B507	Z560205031ZZ	O RING	
B508	Z560101024ZZ	O RING	
B509	Z560001315ZZ	O RING	
B519	Z310012000ZZ	SPRING WASHER M12	
B520	Z310008000ZZ	SPRING WASHER M8	
C	S109609110Z	ACCESSORIES, S.A VALVE 32A	
C92	C040340210Z	CHECK VALVE	
C93	C040340220Z	UNION CREW 35	
C94	C040370342A	SPRING 1.8X32 . 4X36	

C512	X570004000ZZ	HEX. PLUG 1/2	
C516	Z565002100ZZ	GASKET 21	
C525	Z565004200ZZ	GASKET 42	
C529	X555004120ZZ	JOINT SEAT 1/2X1 - 1/4	

# DAIHATSU

SECTION 14	TYPE DK-28	FUEL OIL FEED PUMP 燃料送油ポンプ
SHEET 20C		





DK-28 | Z | 94-4 | 0600

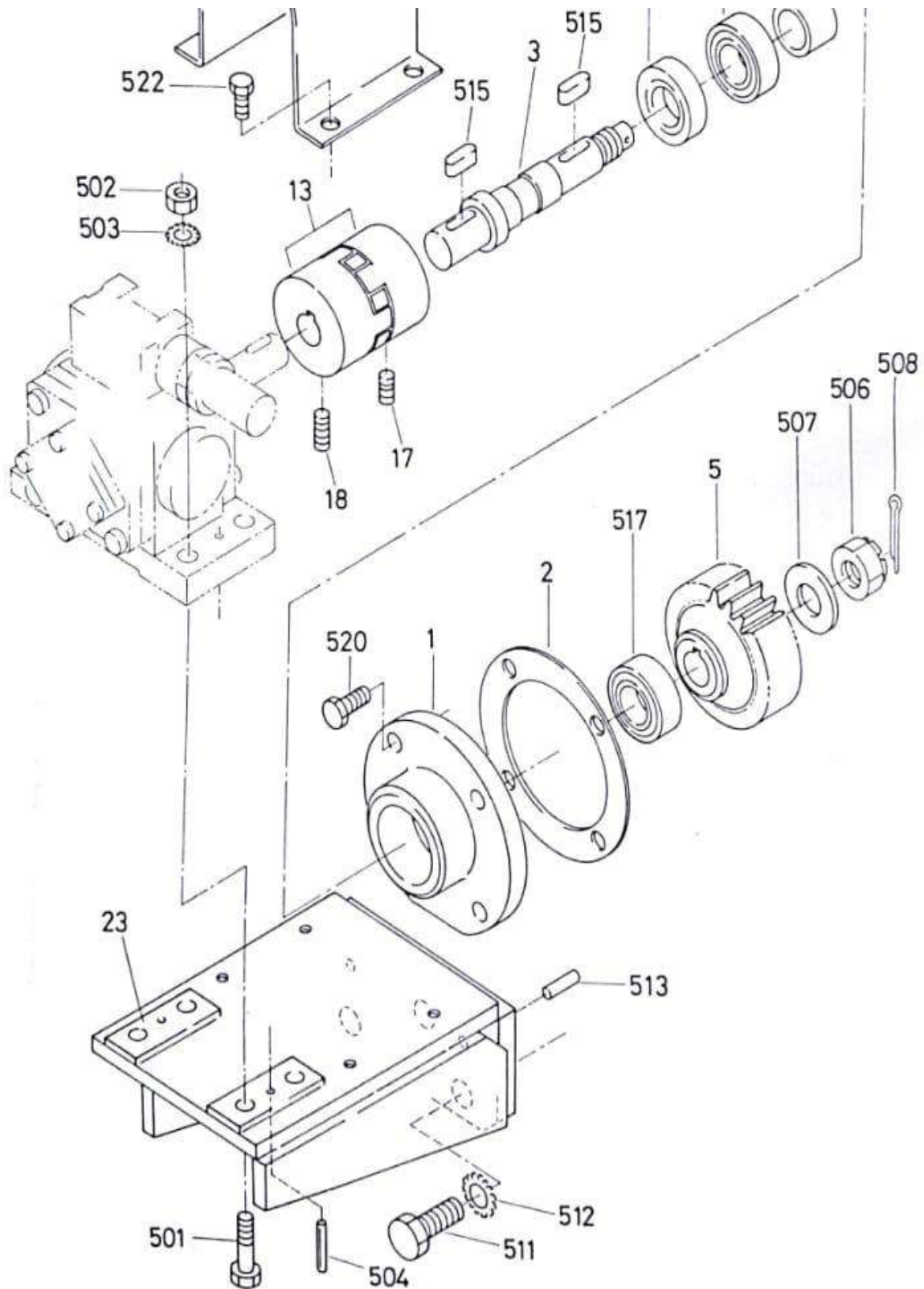
FUEL OIL FEED PUMP			TYPE DK - 28	SECTION 13 SHEET 21C
No.	Parts No.	Name Of Parts	Quantity	
	C034900050B	OIL PUMP TLGK - 2 - 12D2		
	C034900060Z	OIL PUMP TLGK - 2 - 12D2R		
205	C034902050Z	O RING		
206	C034902060Z	O RING		
212	C034902120A	SHAFT		
213	C034902130Z	SHAFT COLLAR		
219	C034902190A	INNER ROTOR		
225	C034902250A	OUTER ROTOR		
229	C034902290A	COUPLING KEY		
232	C034902320Z	BALL BEARING		
233	C034902330Z	BALL BEARING		
235	C034902350Z	JOIN PACKING		
236	C034902360Z	JOIN PACKING		
238	C034902380B	MECHANICAL SEAL		
243	C034902430A	COLLAR		
244	C034902440Z	KNOCK PIN		
245	C034902450Z	VALVE BOX		
247	C034902470Z	CONNECTOR		
250	C034902500Z	SAFETY VALVE		
251	C034902510Z	VALVE SPRING		

252	C034902520Z	SPRING CARRIER	
255	C034902550Z	ADJUST SCREW	
257	C034902570Z	LOCK UNIT	
258	C034902580Z	HEXAGON NUT	
260	C034902600Z	HEXAGON HEAD BOLT	
261	C034902610Z	HEXAGON HEAD BOLT	
266	C034902660Z	HEXAGON HEAD BOLT	
271	C034902720Z	HEXAGON HEAD BOLT	
272	C034902720Z	HEXAGON HEAD BOLT	
280	C034902800Z	CAP	
281	C034902810A	SOCKET HEAD CAP SCREW	
285	C034902850Z	BEARING COVER	
294	C034902940Z	ROTOR HAUSING	
296	C034902960A	BRACKET	
297	C034902970Z	PACKING	
298	C034902980Z	PACKING	
299	C034902990Z	RING JOINT	
306	C034903060Z	ROTOR KEY	
322	C034903220A	CASING	
328	C034903280Z	SIDE COVER	
<b>FUEL OIL FEED PUMP</b>			TYPE DK - 28
			SECTION 13 SHEET 22C
No.	Parts No.	Name Of Parts	Quantity
331	C034903310Z	SEAL COVER	
333	C034903330Z	SIDE COVER	
340	C034903400Z	PIPE NOCK	

**DAIHATSU**

SECTION 14	TYPE DK-28	FUEL OIL PUMP DRIVING DEVICE
SHEET 25C		燃料送油ポンプ駆動装置





DK-28	Z	94-4	0100
-------	---	------	------

<b>FUEL OIL PUMP DRIVING DEVICE</b>	TYPE	SECTION 13
	DK - 28	SHEET 26C



No.	Parts No.	Name Of Parts	Quantity
1	E291370010Z	BEARING CASE	
2	C263400060A	GASKET 81/114	
3	E291370030Z	SHAFT	
4	E291370040Z	DISTANCE PIECE	
5	E293170050Z	GEAR, F.O. FEED PUMP	
7	E271350780Z	COVER, COUPLING	
13	E291370130A	COUPLING	
17	E291370170Z	HEX. SOCKET SETSCREW M6X1 . 0X16	
18	E204200180A	HEX. SOCKET SETSCREW M6X1 . 0X20	
23	E291370230Z	BRACKET	
501	X200008035ZZ	BOLT M8X1 . 25X35	
502	X220008000ZZ	NUT M8X1.25	
503	Z315008000ZZ	TOOTHED LOCK WASHER M8	
504	Z415004030ZZ	SPRING PIN 4X30	
506	X225614000ZZ	CASTLE NUT (6) M14X1.5	
507	Z300014000ZZ	FLAT WASHER 14	
508	Z320004035ZZ	SPLIT PIN 4X35	
511	X200012025ZZ	BOLT M12X1 . 75X25	
512	Z315012000ZZ	TOOTHED LOCK WASHER M12	
513	Z415004024ZZ	SPRING PIN 4X24	
515	Z400005016ZZ	KEY 5X16	
517	Z451460040ZZ	BEARING	
518	Z461254208SC	OIL SEAL	
520	X200008020ZZ	BOLT M8X1 . 25X20	
522	X200006010ZZ	BOLT M6X1 . 0X10	

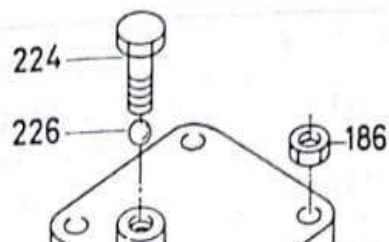
**DAIHATSU**

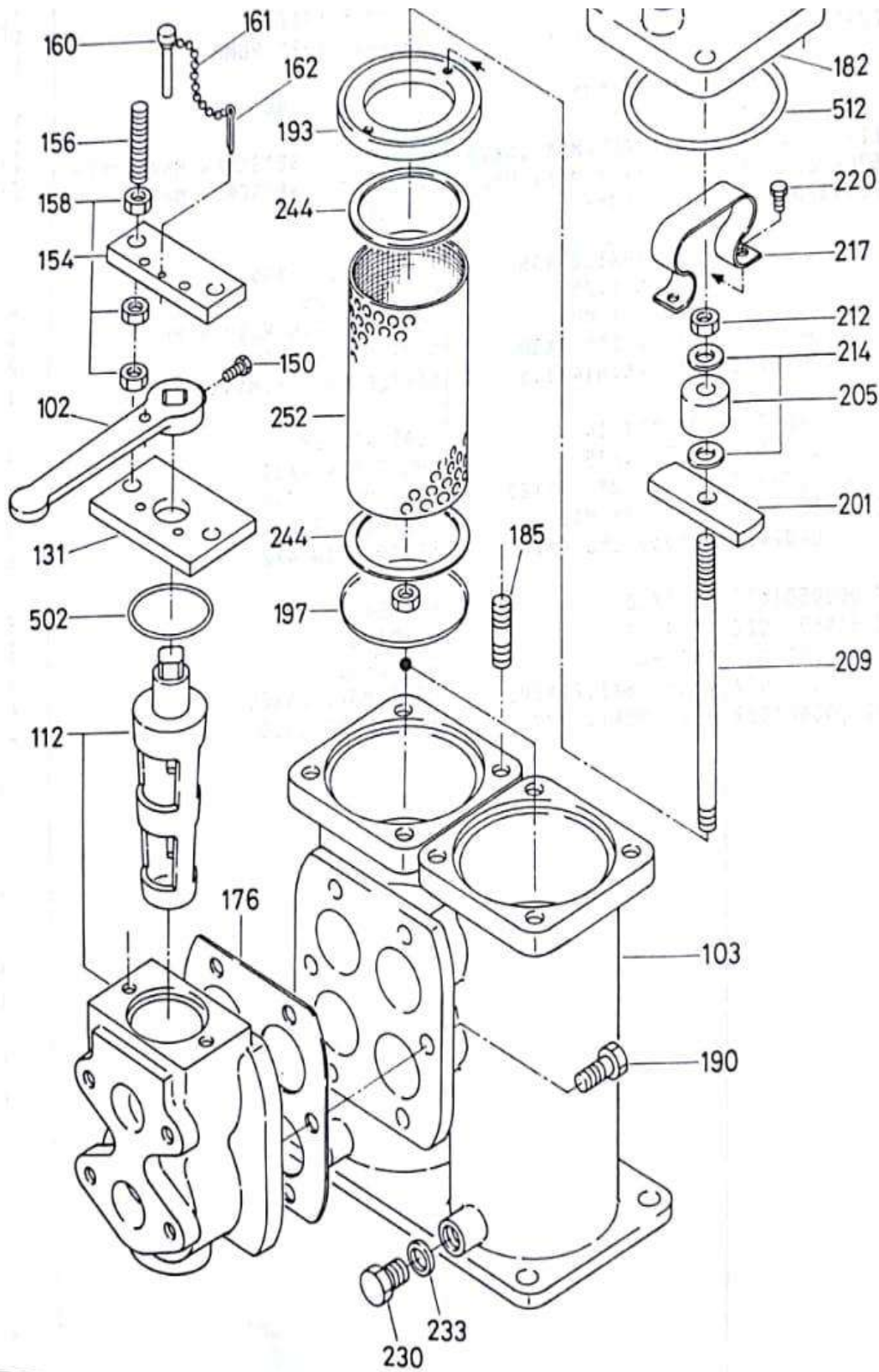
SECTION  
14  
SHEET  
30

TYPE  
DK-28

FUEL OIL FILTER

燃料濾器





DK-28 | Z 94-4 | 0200

<b>FUEL OIL FILTER</b>	TYPE	SECTION 13
	DK - 28	SHEET 31

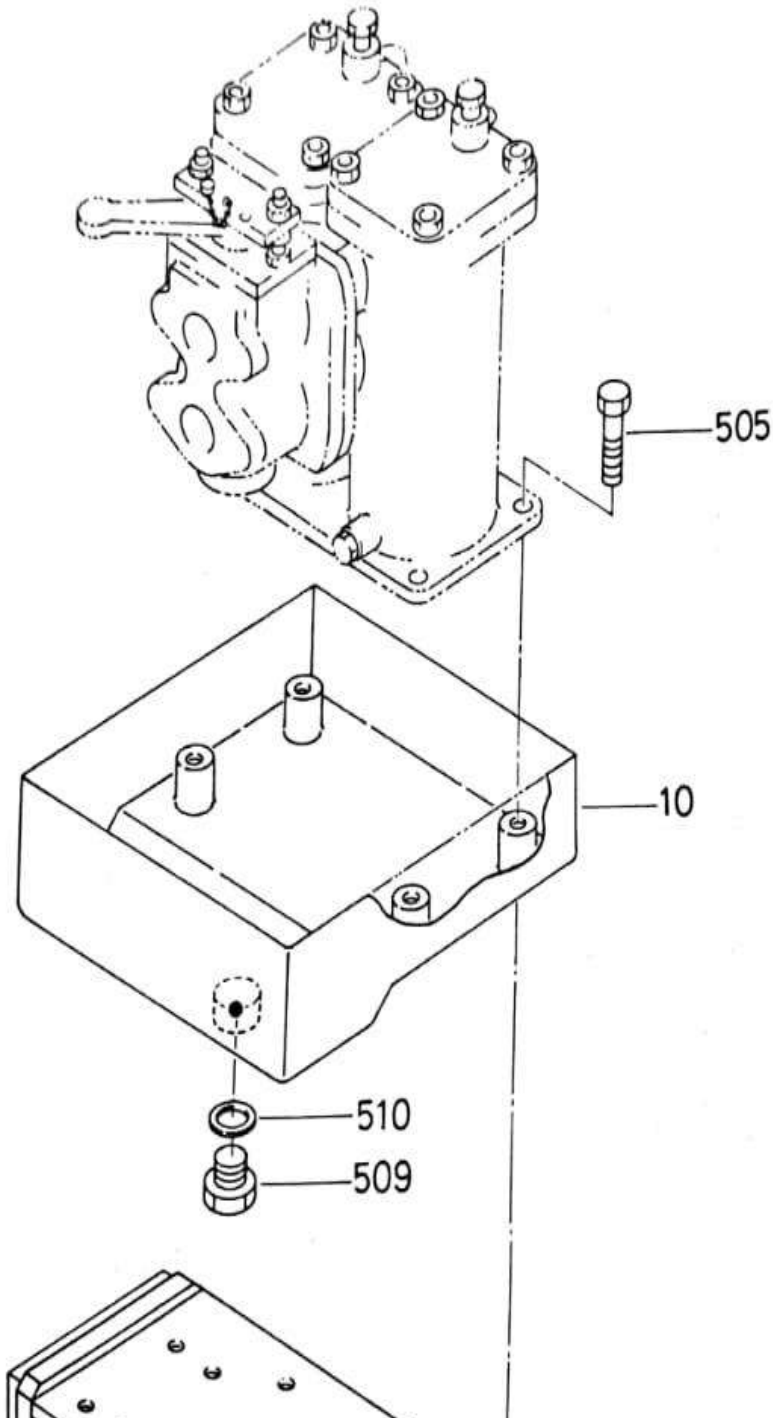
No.	Parts No.	Name Of Parts	Quantity
	C060100311A	FILTER S - 32US - T - 200ME	
103	C060101030Z	STRAINER BODY	
112	C060101120A	COCK ASSY.	
131	C060101310Z	COCK BODY COVER	
142	C060101420Z	COCK HANDLE	
150	C060101500Z	SET SCREW	
154	C060101540Z	COCK , COVER	
156	C060101560Z	STUD (COCK, COVER)	
158	C060101580Z	NUT (COCK COVER)	
160	C060101600Z	NOCK PIN	
161	C060203020	CHAIN	
162	C060203410Z	SPLIT PIN	
176	C060101760Z	GASKET (COCK BODY)	
182	C060101820Z	STRAINER COVER	
185	C060101850Z	STUD (STRAINER COVER)	
186	C060101860Z	NUT (STRAINER COVER)	
190	C060101900Z	BOLT (COCK BODY)	
193	C060101930Z	ELEMENT SEAT RING	
197	C060101970Z	ELEMENT COVER	
201	C060102010Z	LOCKING PLATE	
205	C060102050Z	MAGNET	
209	C060102090Z	ELEMENT TIE BOLT	
212	C060203290Z	NUT M10	
214	C060102140Z	WASHER	
217	C060202860Z	SPRING HANDLE	
220	C060203150Z	BOLT, SPRING HANDLE	
224	C060203340Z	AIR VENT PLUG	
226	C060203390Z	BALL	
230	C060203360Z	DRAIN PLUG	
233	C060203680Z	GASKET, DRAIN PLUG	
244	C060206540Z	GASKET, ELEMENT	
252	C060102520Z	ELEMENT	
502	Z560104435ZZ	O RING	
512	Z560211031ZZ	O RING	

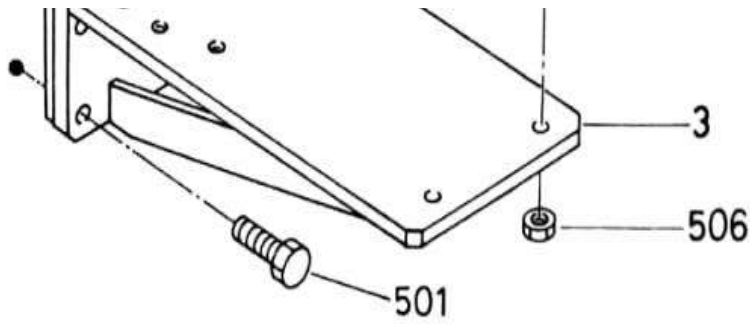
**DAIHATSU**

SECTION  
14  
SHEET  
40

TYPE  
DK-28

FUEL OIL FILTER FITTING  
燃料濾器取付



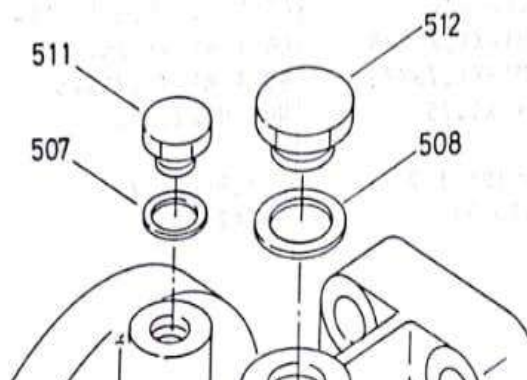


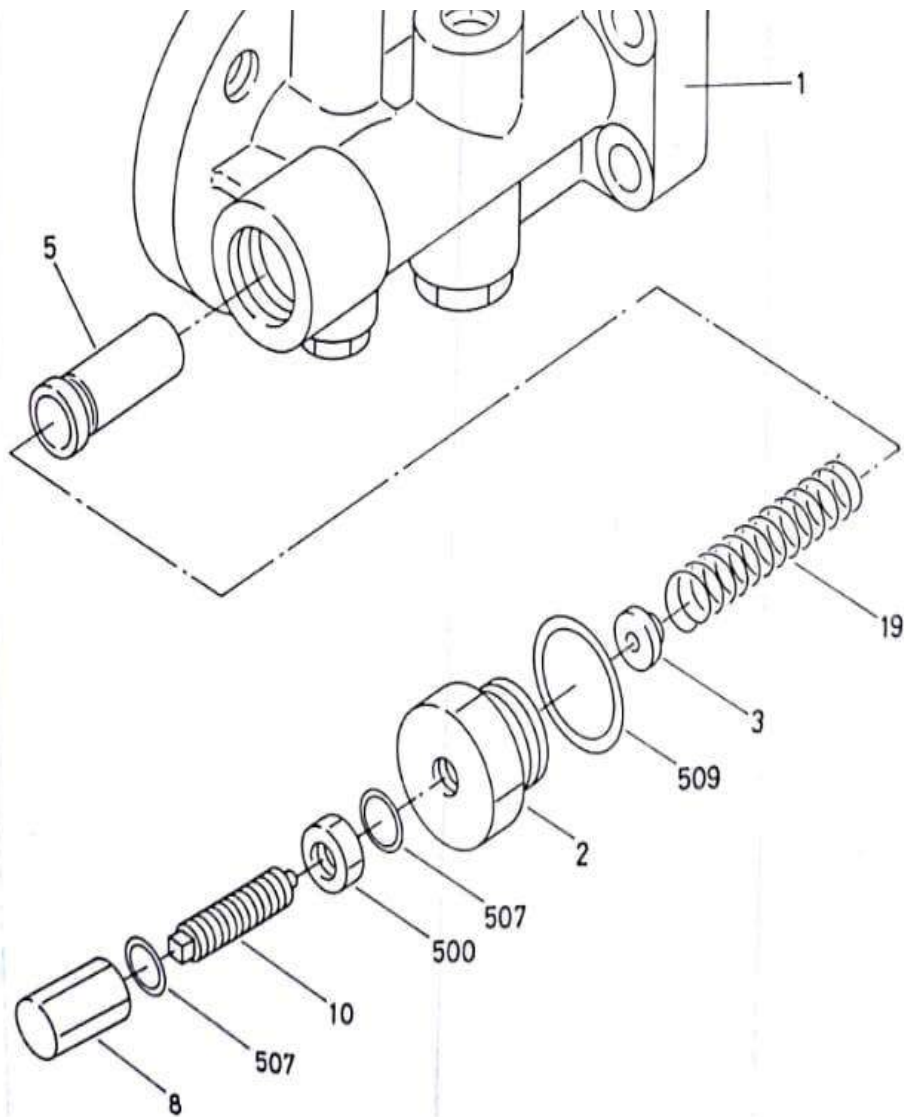
DK-28 Z 94-4 0400

FUEL OIL FILTER FITTING			TYPE DK - 28	SECTION 13 SHEET 41
No.	Parts No.	Name Of Parts	Quantity	
3	E294370030B	BRACKET, F.O. FILTER		
10	E294370100Z	COVER (1), F.O. FILTER		
501	X200012025ZZ	BOLT M12X1 . 75X25		
505	X200012075ZZ	BOLT M12X1 . 75X75		
506	X220012000ZZ	NUT M12X1 .75		
509	X570004000ZZ	HEX. PLUG 1/2		
510	Z565002100ZZ	GASKET 21		

**DAIHATSU**

SECTION 14	TYPE DK-28	FUEL OIL RELIEF VALVE 燃料調圧弁
SHEET 50		





DK-28 Z 94-4 0100

FUEL OIL RELIEF VALVE			TYPE DK - 28	SECTION 13
				SHEET 51
No.	Parts No.	Name Of Parts	Quantity	
1	C034500010Z	BODY - 1, OIL RELIEF VALVE		
2	C034500020Z	CAP, VALVE SPRING		
3	C034000030Z	SPRING SEAT		
5	C034040010Z	RELIEF VALVE		
8	C034500080Z	CAP NUT M12		
10	C034500100Z	ADJUSTING SCREW		

19	C034000191Z	SPRING 2.3X12 . 5X71	
500	X220312000ZZ	NUT (3) M12X1 . 75	
507	Z565001300CC	GASKET 13	
508	Z565002100CC	GASKET 21	
509	Z565003400CC	GASKET 34	
511	X570002000ZZ	HEX. PLUG 1/4	
512	X570004000ZZ	HEX. PLUG 1/2	

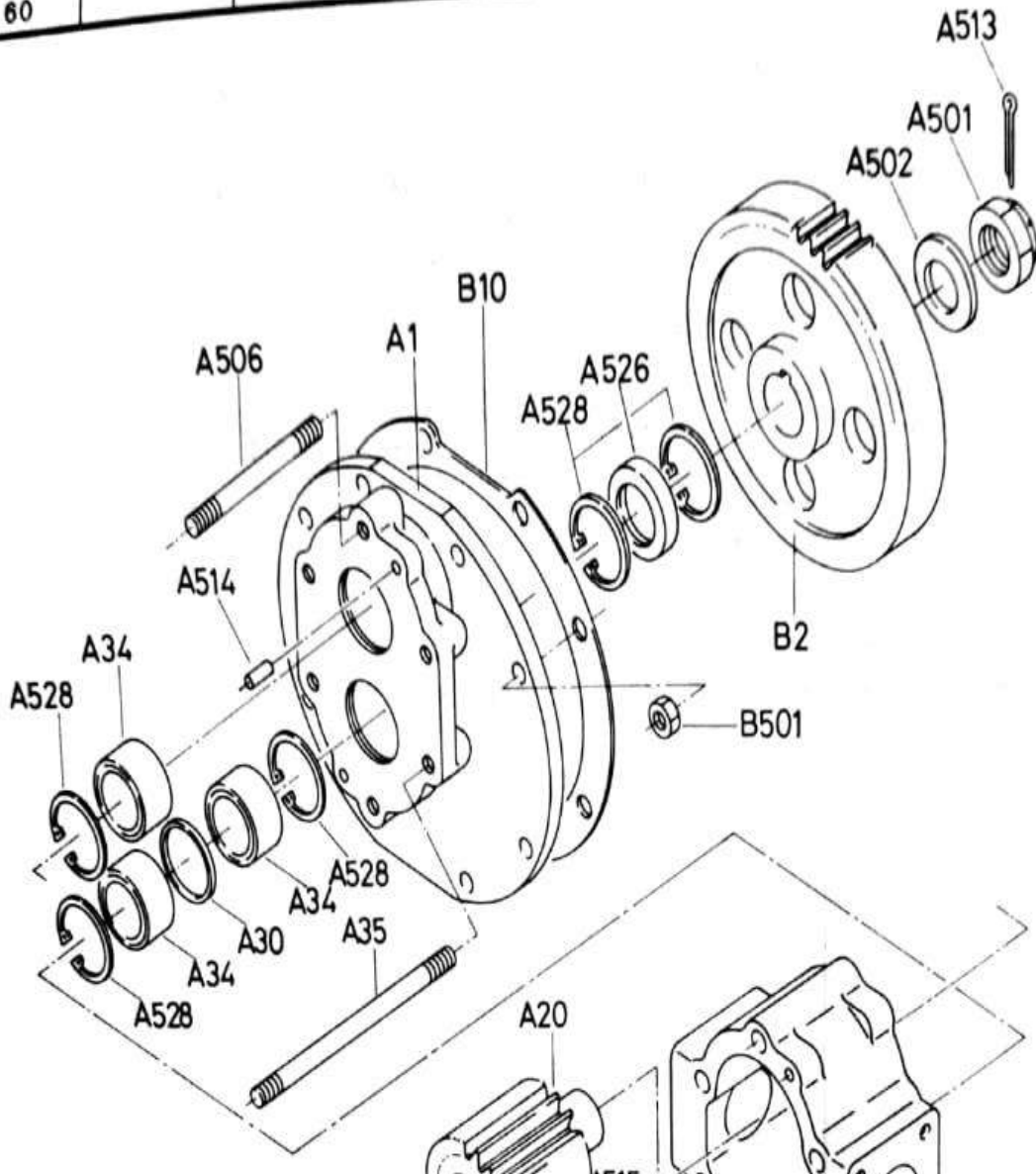
**DAIHATSU**

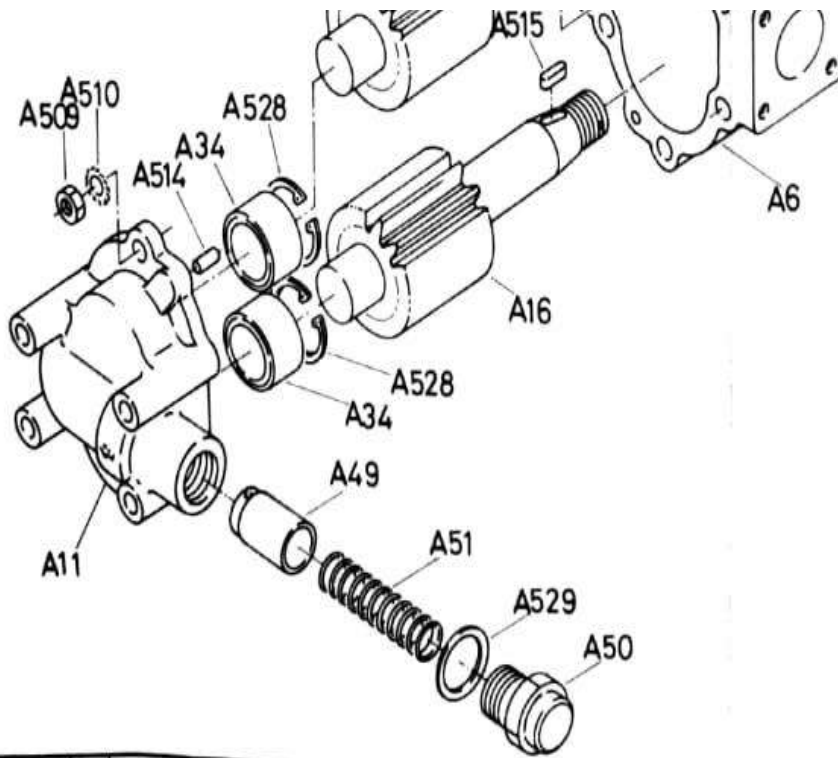
LUBRICATING OIL PUMP

潤滑油ポンプ

SECTION  
14  
SHEET  
60

TYPE  
DK-28





DK-28 | Z | 94-4 | A...130 | B...0001

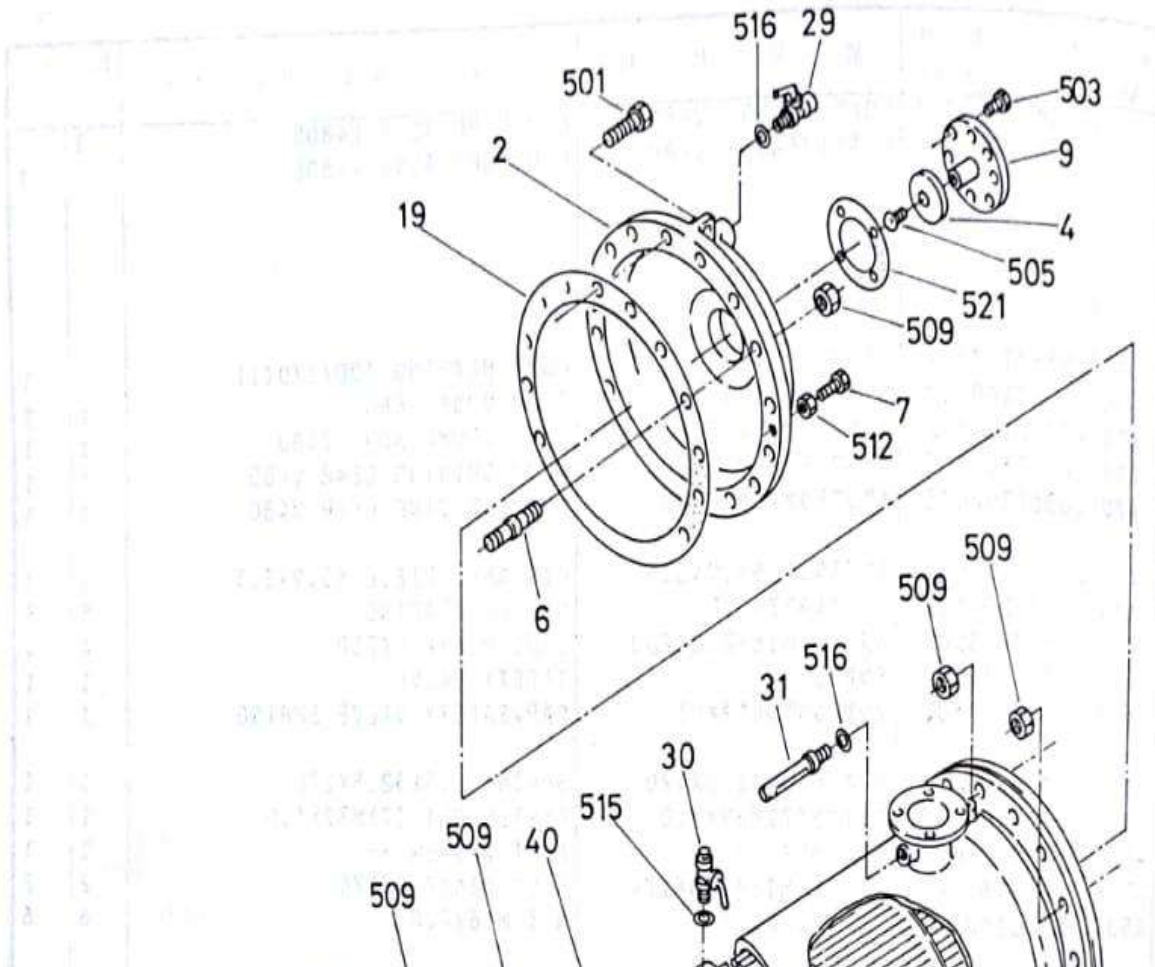
LUBRICANT OIL PUMP			TYPE DK - 28	SECTION 13 SHEET 61
No.	Parts No.	Name Of Parts	Quantity	
	C036790010ZF	L.O. PUMP ASSY V480R		
	C036790020ZF	L.O. PUMP ASSY V480L		
A1	C036710010Z	PUMP BEARING 300/370 (I)		
A6	C036710060Z	PUMP BODY V480		
A11	C036710110Z	COVER, PUMP BODY V480		
A16	C036730160Z	PUMP DRIVING GEAR V480		
A20	C036730200Z	PUMP DRIVING GEAR V480		
A30	C036740300Z	DISTANCE PIECE 65.9X3.5		
A34	G003100440Z	NEEDLE BEARING		
A35	C036770350Z	STUD M16X2 . 0X280		
A49	C036740490Z	SAFETY VALVE		
A50	C036640230Z	CAP, SAFETY VALVE SPRING		
A51	C036670371Z	SPRING 6.5X32 . 5X170		
A501	X225739000ZZ	CASTLE NUT (7) M39X3.0		
A502	Z300039000ZZ	FLAT WASHER 39		
A506	X210016174ZZ	STUD M16X2 . 0X174		
A509	X220016000ZZ	NUT M16X2.0		

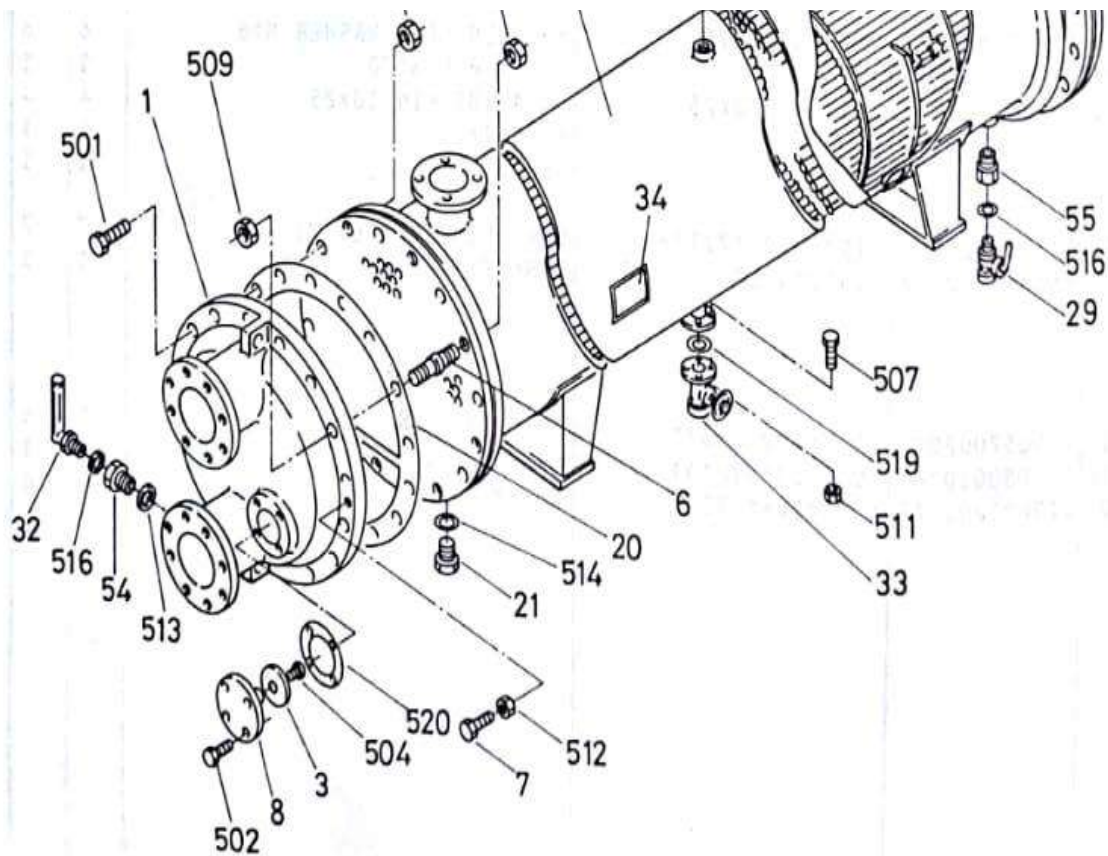


A510	Z315016000ZZ	TOOTHED LOCK WASHER M16	
A513	Z320005070ZZ	SPLIT PIN 5X70	
A514	Z335010025ZZ	STRAIGHT PIN 10X25	
A515	Z400012031ZZ	KEY 12X31	
A526	Z461507212SB	OIL SEAL	
A528	Z412007200ZZ	SNAP RING (HOLE) 72	
A529	Z665052000ZZ	GASKET 52	
B2	E290570020Z	PUMP GEAR (Z=57)	
B10	E290500100Z	GASKET, L.O. PUMP	
B501	X220012000ZZ	NUT M12X1.75	

**DAIHATSU**

SECTION 14	TYPE DK-28	LUBRICATING OIL COOLER 潤滑油冷却器
SHEET 70		





DK-28 | Z 94-4 | 0602

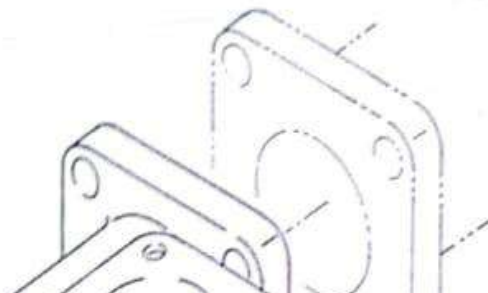
LUBRICANT OIL COOLER			TYPE DK - 28	SECTION 13 SHEET 71
No.	Parts No.	Name Of Parts	Quantity	
	C052690010B	OIL COOLER 400 - 22(1)		
1	C052510010A	SIDE COVER (A)		
2	C052510020Z	SIDE COVER (B)		
3	C052520030Z	ZINC PROTECTOR 55X12		
4	C052520040Z	ZINC PROTECTOR 120X19		
6	C052840060Z	COLLAR BOLT		
7	C052540070Z	JACK BOLT		
8	C052570080Z	HEAD, ZINC PROTECTOR (55)		
9	C052570090Z	HEAD, ZINC PROTECTOR (120)		
19	C052570190A	GASKET (1)		
20	C052570200A	GASKET (2)		
21	C052840210Z	DRAIN PLUG M24x2.0		
29	Y013220064B	SCREWED COCK 16KBC 6		

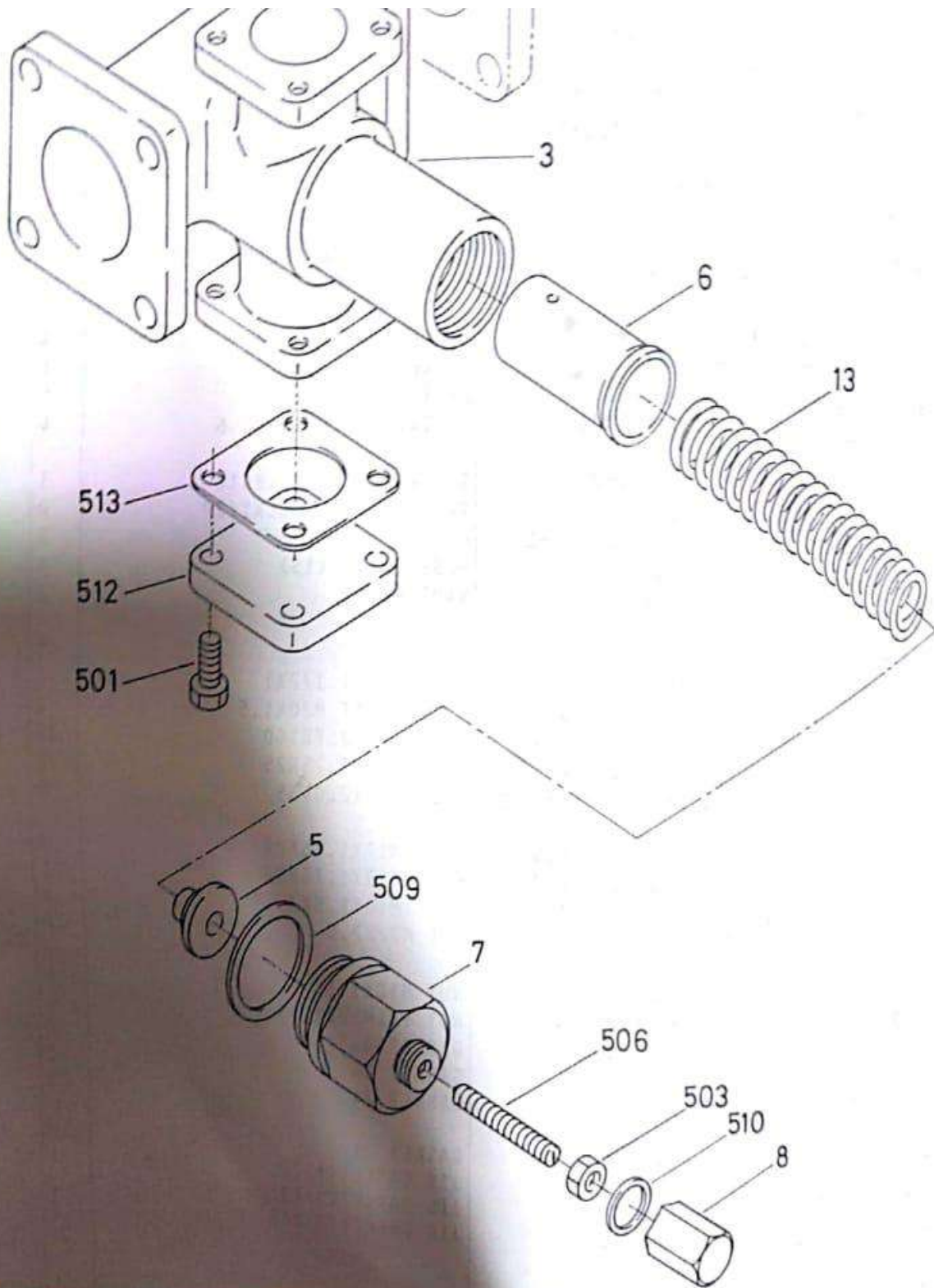
30	Y013220104B	SCREWED COCK 16KBC 10	
31	Y231004000Z	THERMOMETER 100CX1/2P	
32	Y241004000Z	-	
33	C052870310Z	HOSE VALVE (15)	
34	C052570340Z	NAME PLATE	
40	C052670400Z	SHELL (A)	
54	C052540540Z	JOINT SEAT 1/2X1	
55	C052540550Z	JOINT SEAT M20X1.5	
501	X200022100ZZ	BOLT M22X2 . 5X100	
502	X200012025ZZ	BOLT M12X1 . 75X25	
503	X200016035ZZ	BOLT M16X2 . 0X35	
504	X200012025JZ	BOLT M12X1 . 75X25	
505	X200012032JZ	BOLT M12X1 . 75X32	
507	X200010035ZZ	BOLT M10X1 . 5X35	
509	X220022000ZZ	NUT M22X2.5	
511	X220010000ZZ	NUT M10X1.5	
512	X220312000ZZ	NUT (3) M12X1.75	
513	Z565003400ZZ	GASKET 34	
514	Z565002400ZZ	GASKET 24	
515	Z565002400ZZ	GASKET 24	
516	Z565002100ZZ	GASKET 21	
519	Z501302200AZ	JIS GASKET (3) 22	
520	Z501302200AZ	JIS GASKET (3) 43	
521	Z501311500AZ	JIS GASKET (3) 115	

**DAIHATSU**

SECTION 14	TYPE DK-28
SHEET 80	

LUBRICATING OIL RELIEF VALVE  
潤滑油調圧弁





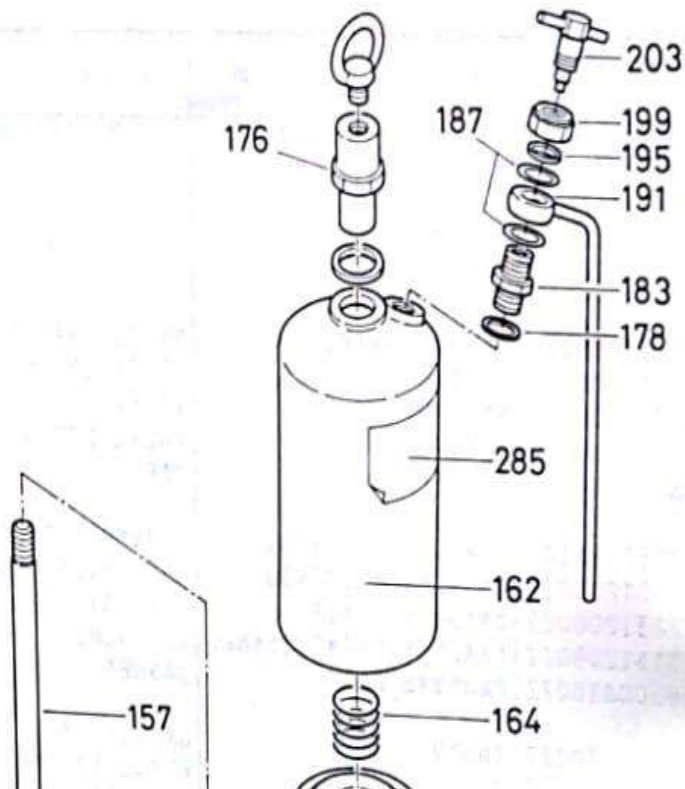
DK-28 Z 94-4 1000

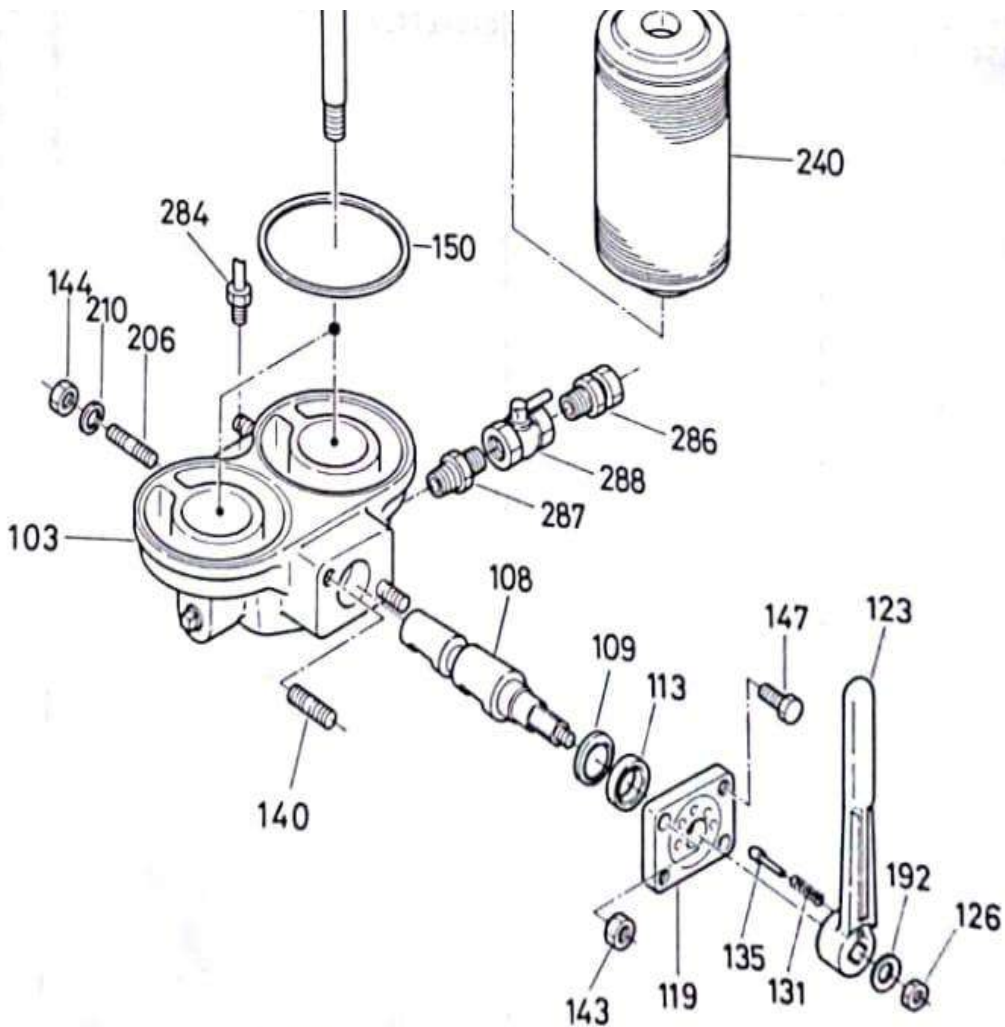
LUBRICANT OIL RELIEF VALVE			TYPE	SECTION 13
			DK - 28	SHEET 81
No.	Parts No.	Name Of Parts	Quantity	
	C037590040A	OIL RELIEF VALVE ASSY. 4		

3	C037510030Z	RELIEF VALVE BODY #4	
5	C037540050Z	RETAINER, VALVE SPRING	
6	C037540060Z	VALVE	
7	C037540070Z	VALVE SPRING CASE	
8	C037540080Z	CAP	
13	C037570151A	SPRING 5.5X36 . 5X209	
501	X200012030ZZ	BOLT M12X1 . 75X30	
503	X222312000ZZ	NUT (3) M12	
506	X251512080ZZ	SET SCREW (5) M12X1 . 25X80	
509	Z565006100ZZ	GASKET 61	
510	Z565002700ZZ	GASKET 27	
512	Z540200072ZZ	FLANGE (2) 0X72	
513	Z541206072AZ	GASKET (2) 60X72	

**DAIHATSU**

SECTION 14	TYPE	LUBRICATING OIL FILTER
SHEET 90	DK-28	潤滑油濾器





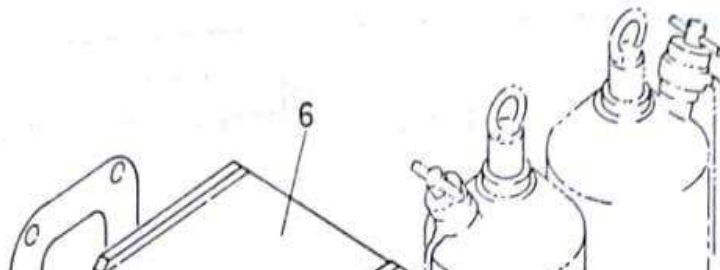
DK-28    Z 94-4    0301

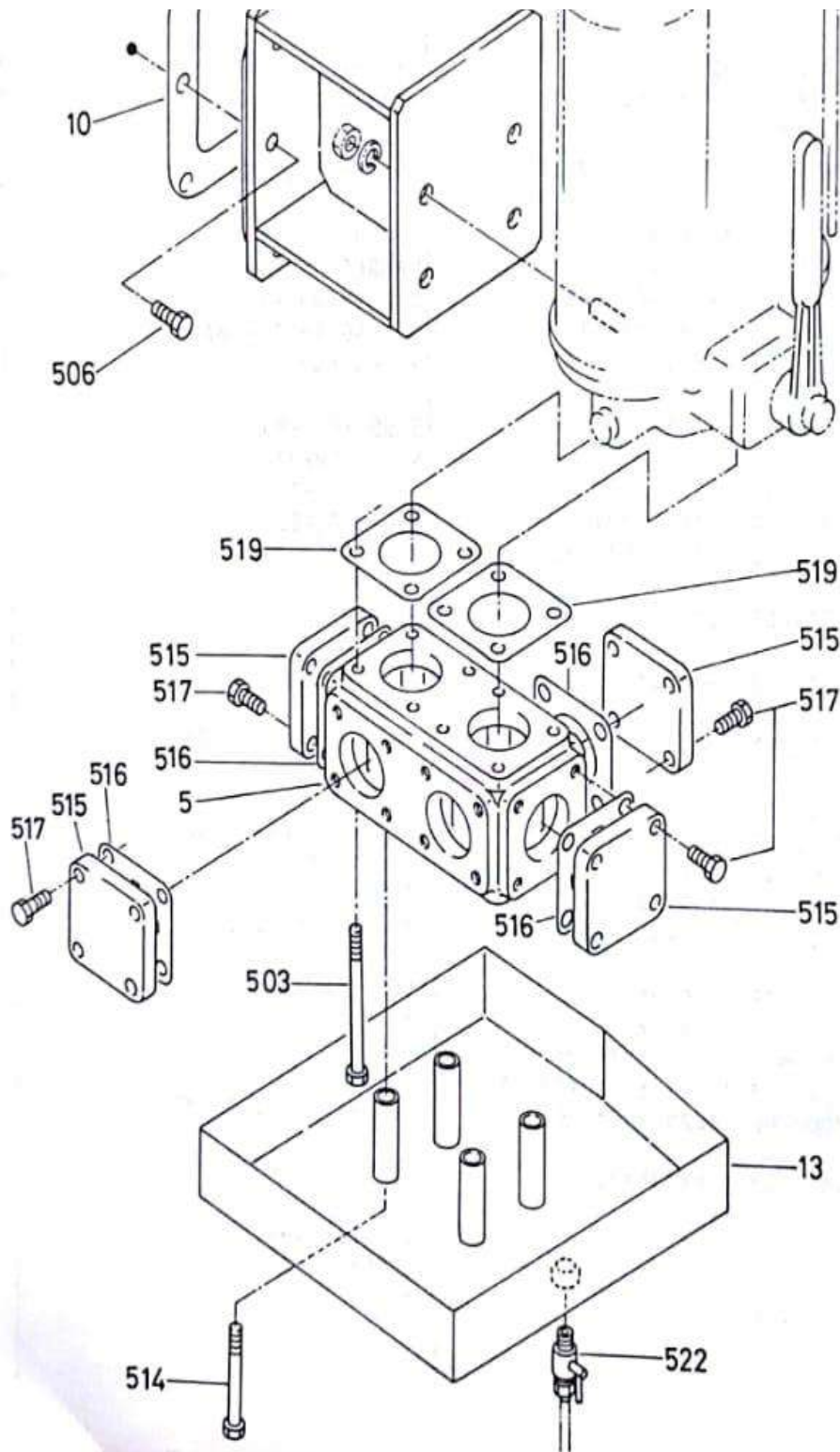
LUBRICANT OIL FILTER			TYPE DK - 28	SECTION 13
				SHEET 91
No.	Parts No.	Name Of Parts	Quantity	
	C060700130Z	FILTER 65 - PCB - #3LE - X/VZ		
103	C060901850Z	FILTER BODY		
108	C060901860Z	SWITCHING COCK		
109	Y529000024Z	PACKING SEAT		
113	Y529000033Z	PACKING (COCK)		
119	Y529000049Z	COVER		
123	Y529000059Z	HANDLE		
126	Y529000665Z	NUT (HANDLE)		
131	Y529000073Z	SPRING (NOTCH BAR)		
135	Y529000080Z	NOTCH BAR		

140	Y529000088Z	STUD (COVER)	
143	Y529000093Z	NUT (COVER)	
144	Y529000093Z	NUT (COVER)	
147	Y529000100Z	BOLT (COVER)	
150	Y529000109Z	PACKING (CASING)	
157	C060902020Z	SHAFT	
162	C060902050Z	CASING	
164	Y529000149Z	SPRING (CASING)	
176	C060902080Z	CAP NUT	
178	Y529000178Z	PACKING (VALVE SEAT)	
183	Y529000184Z	VALVE SEAT	
187	Y529000189Z	PACKING (CONNECTOR)	
191	Y529000195Z	CONNECTOR	
192	Y529000196Z	CONNECTOR	
195	Y529000200Z	PACKING (SLEEVE UNIT)	
199	Y529000207Z	SLEEVE UNIT	
203	Y529000211Z	AIR PLUG	
206	C060702060Z	STUD	
210	C060702100Z	SPRING WASHER	
240	C060700240Z	ELEMENT ASSY. -200ME	
284	C060902240Z	FILLING - UP ASSY.	
285	C060702850Z	NAME PLATE	
286	C060702860Z	PIPE FITTING	
287	C060702870Z	NIPPLE	
288	C060702880Z	VALVE	

**DAIHATSU**

SECTION 14	TYPE DK-28	LUBRICATING OIL FILTER FITTING 潤滑油濾器取付
SHEET 100		





DK-28	Z	94-4	0202
-------	---	------	------

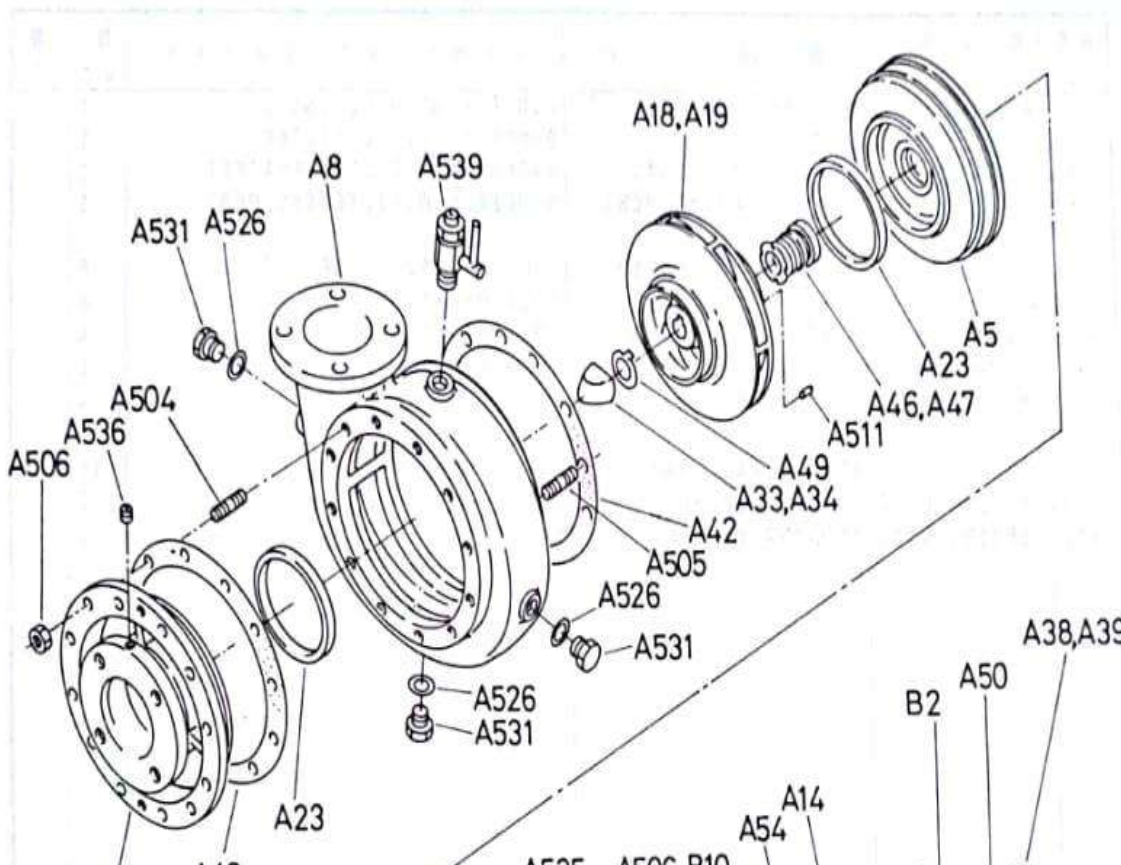
LUBRICANT OIL FILTER FITTING			TYPE	SECTION 13
			DK - 28	SHEET 101
No.	Parts No.	Name Of Parts	Quantity	

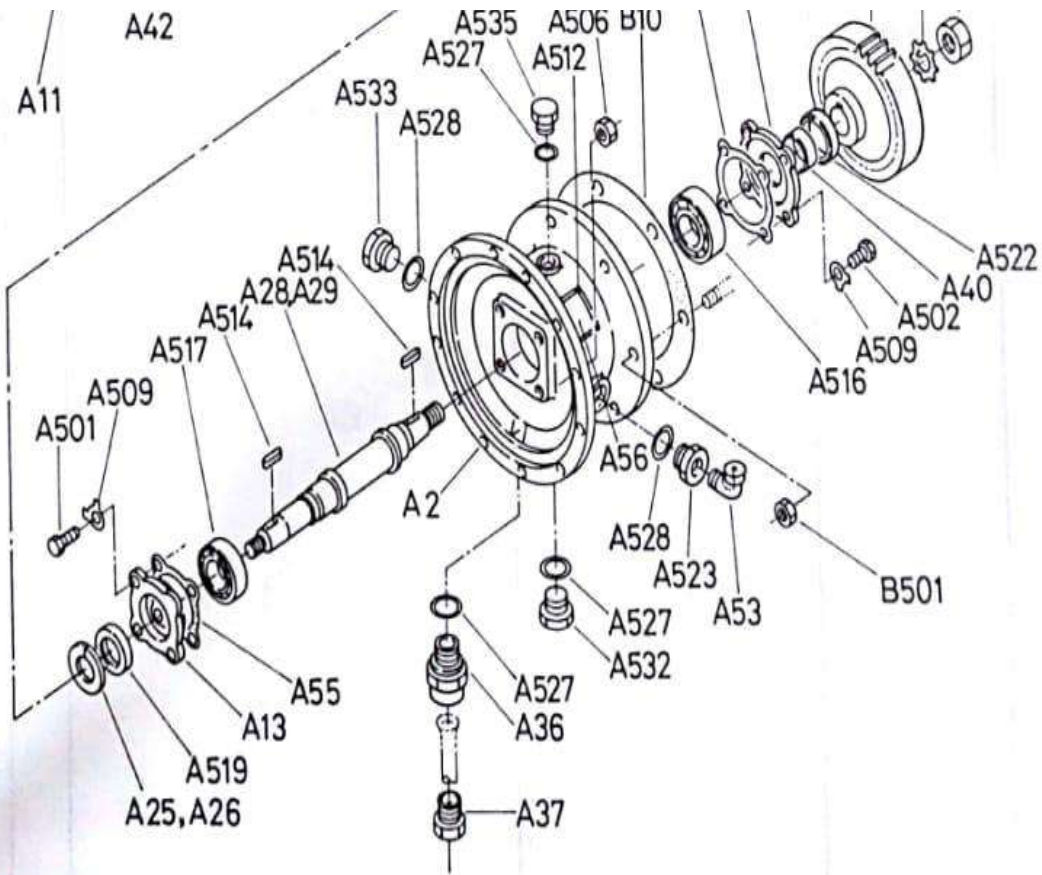


5	A245012460Z	L.O. PIPING BLOCK (65X)	
6	E264170060Z	BRACKET (3), L.O. FILTER	
10	E294170100Z	GASKET, L.O. FILTER BRACKET	
15	E294170130Z	SAUCER, L.O. FILTER (65 - PCB)	
503	X200012160ZZ	BOLT M12X1 . 75X160	
506	X200012035ZZ	BOLT M12X1 . 75X35	
514	X200012100ZZ	BOLT M12X1 . 75X100	
515	Z540200085ZZ	FLANGE (2) 0X85	
516	Z541207585ZZ	GASKET (2) 75X85	
517	X200012032ZZ	BOLT M12X1 . 75X32	
519	Z501209000ZZ	JIS GASKET (2) 90	
522	Z580103000ZZ	DRAIN COCK (1) 3/8	

# DAIHATSU

SECTION 14	TYPE DK-28	COOLING WATER PUMP 冷却水ポンプ
SHEET 110		





DK-28 Z 94-4 A...0400 B...0001

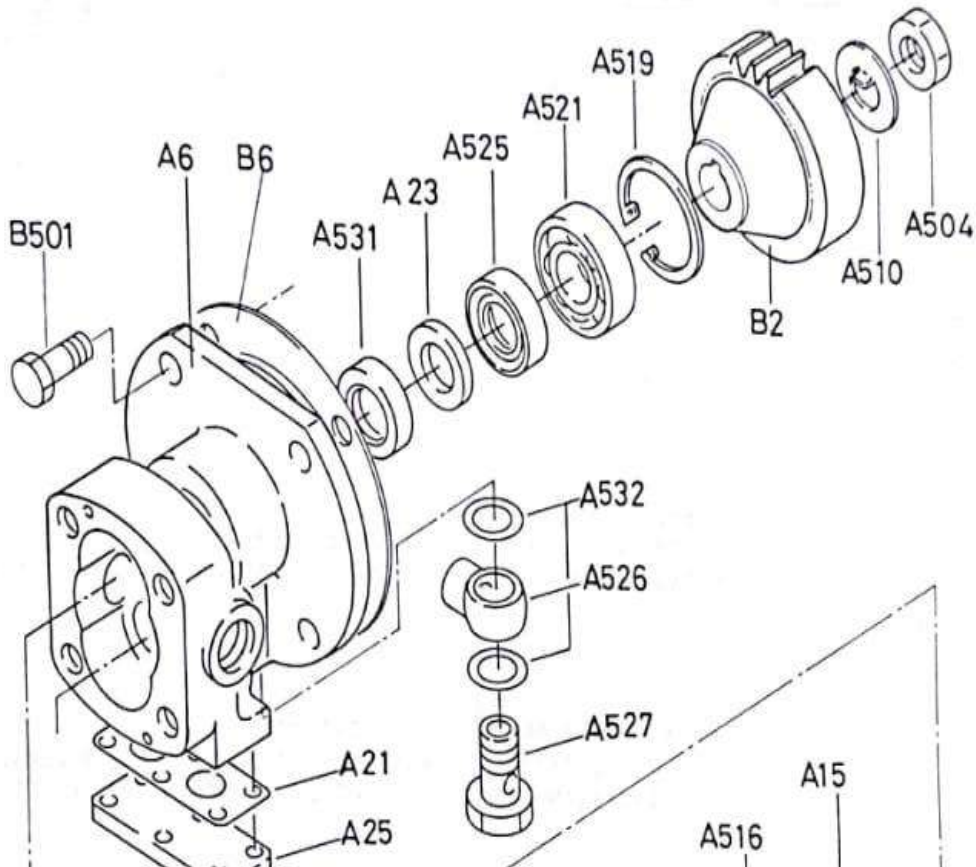
COOLING WATER PUMP			TYPE DK - 28	SECTION 13 SHEET 101
No.	Parts No.	Name Of Parts	Quantity	
	C038590090A	C.W. PUMP ASSY. FC95R - 3		
	C038590100A	C.W. PUMP ASSY. FC95L - 3		
A2	C038510020Z	BEARING CASE #2		
A5	C038510051Z	HOLDER - FC, MECHANICAL SEAL		
A8	C038510081Z	PUMP BODY - FC		
A11	C038510111Z	COVER - FC, PUMP BODY		
A13	C038110120Z	BEARING STOPPER (PUMP SIDE)		
A14	C038310120A	BEARING STOPPER (GEAR SIDE)		
A18	C038520160Z	IMPELLER - R		
A19	C038520170Z	IMPELLER - L		
A23	C038520190Z	MOUTH RING		
A25	C038120220Z	CUT RING ( R )		

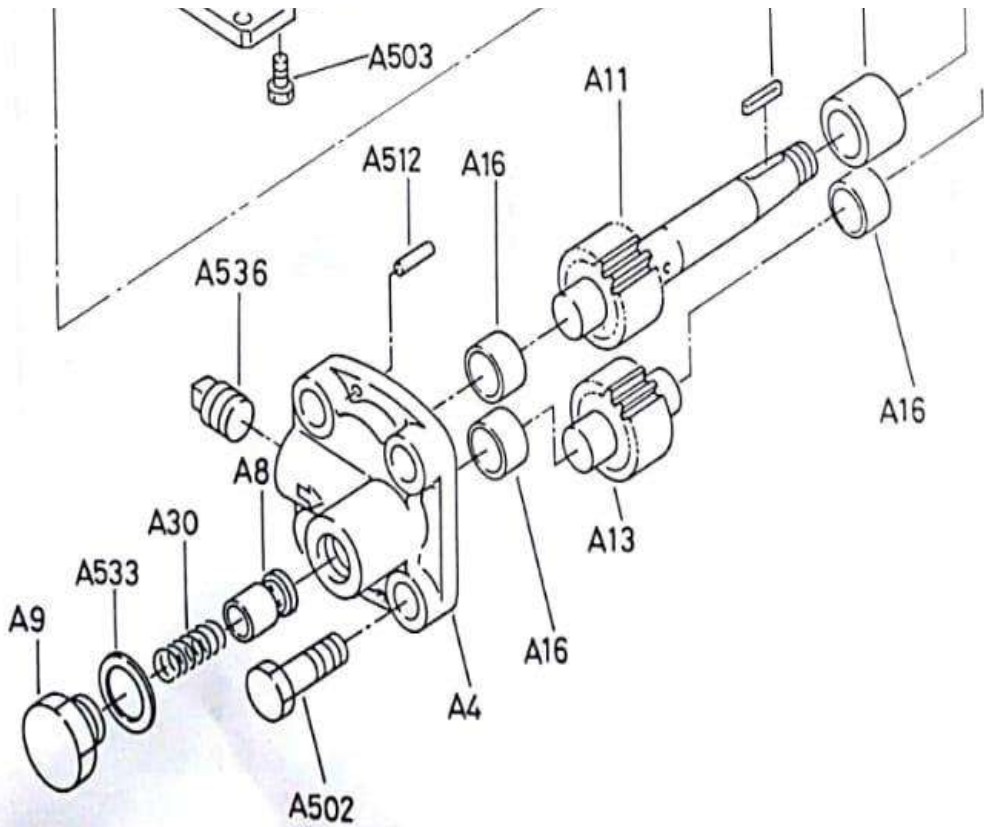
A26	C038120230Z	CUT RING (L)	
A28	C038340250A	PUMP SHAFT ( R )	
A29	C038340260B	PUMP SHAFT ( L )	
A33	C038140290Z	NUT, IMPELLER ( R )	
A34	C038140300Z	NUT, IMPELLER ( L )	
A36	C038140320Z	JOINT, DRAIN PIPE	
A37	C038140330Z	RETAINER, DRAIN PIPE	
A38	C038340340Z	SPECIAL NUT M24X2.0 ( R )	
A39	C038340350Z	SPECIAL NUT M24X2.0 ( L )	
A40	C038340240Z	RING - 34, OIL SEAL	
A42	C038570420Z	GASKET, PUMP BODY	
A46	C038470650Z	MECHANICAL SEAL	
A47	C038470360Z	MECHANICAL SEAL	
A49	C038170390Z	SPECIAL CLAW WASHER 19X38	
A50	C038370420Z	SPECIAL CLAW WASHER 24	
A53	C038170411Z	OIL CUP PT3/8	
A54	C038370460Z	GASKET, BEARING STOPPER (GEAR)	
A55	C038170460Z	GASKET, BEARING STOPPER (PUMP)	
A56	A506470040Z	CW. PUMP CAUTION LABEL	
A501	X200010020DZ	BOLT M10X1 . 5X20	
A502	X200010022ZZ	BOLT M10X1 . 5X22	
A504	X210010040DZ	STUD M10X1 . 5X40	
A505	X210010043DZ	STUD M10X1 . 5X40	
A506	X220010000JZ	NUT M10X1.5	
A509	Z318210000ZG	TONGUED WASHER (2) 10	
A511	Z335603008JZ	STRAIGHT PIN (6) 3X8	
A512	Z352025500ZZ	RIVET 2.5X5	
A514	Z400007025DZ	KEY 7X25	
<b>COOLING WATER PUMP</b>			<b>TYPE</b>
			<b>DK - 28</b>
			<b>SECTION 13</b>
			<b>SHEET 112</b>
<b>No.</b>	<b>Parts No.</b>	<b>Name Of Parts</b>	<b>Quantity</b>
A516	Z451162080ZZ	BEARING	
A517	Z451162070ZZ	BEARING	
A519	Z461355511TC	OIL SEAL	
A522	Z461405205VB	OIL SEAL	
A523	X555003060ZZ	JOINT SEAT 3/8X3/4	
A526	Z565001700ZZ	GASKET 17	

A527	Z565002100ZZ	GASKET 21	
A528	Z565002700ZZ	GASKET 27	
A531	X570003000JZ	HEX. PLUG 3/8	
A532	X570004000ZZ	HEX. PLUG 1/2	
A533	X570006000ZZ	HEX. PLUG 3/4	
A535	X570104000ZZ	HEX. PLUG (1) 1/2	
A536	Z571501000JZ	TAPER PLUG (5) 1/8	
A539	Z580203000ZZ	DRAIN COCK (2) 3/8	
B2	E290170020Z	PUMP GEAR (Z=35)	
B10	E283300120A	GASKET 205/270	
B501	X220012000ZZ	NUT M12X1.75	

**DAIHATSU**

SECTION 14	TYPE DK-28	NOZZLE COOLING OIL PUMP ノズル冷却油ポンプ
SHEET 120C		





DK-28 | Z | 94-4 | A...0803 B...0101

NOZZLE COOLING OIL PUMP			TYPE DK - 28	SECTION 13 SHEET 121C
No.	Parts No.	Name Of Parts	Quantity	
	C0331190070CC	OIL PUMP ASSY. V06R - 1B		
	C033190080CC	OIL PUMP ASSY. V06R - 1B		
A4	C033110040A	COVER, BODY PUMP		
A6	C033110060A	PUMP BODY V06 - 1B		
A8	C033140070A	RELIEF VALVE		
A9	C033140080Z	CAP, SAFETY VALVE SPRING		
A11	C033140090Z	PUMP DRIVING GEAR SHAFT V06 - 1B		
A13	C033140110A	PUMP DRIVING GEAR SHAFT V06		
A15	C033170130Z	PUMP BUSH (2) - 1B		
A16	C033170140Z	PUMP BUSH (1)		
A21	C033170190A	GASKET, CHECK VALVE BODY		
A23	C033170220Z	OIL CUT RING (2)		
A25	C033370200Z	BLANK PLATE		

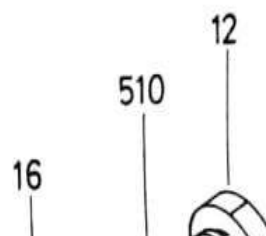
A30	C033179800Z	SPRING 1.6X8 . 5X39.4	
A502	X200010032ZZ	BOLT M10X1 . 5X32	
A503	X200005012ZZ	BOLT M5X0 . 8X12	
A504	X220312000ZZ	NUT (3) M12X1.75	
A510	Z319113028ZZ	VLAW WASHER (1) 13X28	
A512	Z335004016ZZ	STRAIGHT PIN 4X16	
A516	Z400005020ZZ	KEY 5X20	
A519	Z412004000ZZ	SNAP RING (HOLE) 40	
A521	Z451162030ZZ	BEARING	
A525	Z461173208SB	OIL SEAL	
A526	Z545110020ZZ	BANJO 10X1/4	
A527	X545202000ZZ	BANJO PLUG 1/4	
A531	Z461173008TB	OIL SEAL	
A532	Z565001300BZ	GASKET 13	
A533	Z565001700BZ	GASKET 17	
A536	Z571103000ZZ	TAPER PLUG (1) 3/8	
B2	E290770020Z	PUMP GEAR (Z=24)	
B6	C263400060A	GASKET 81/114	
B501	X200008016ZZ	BOLT M8X1. 25X16	

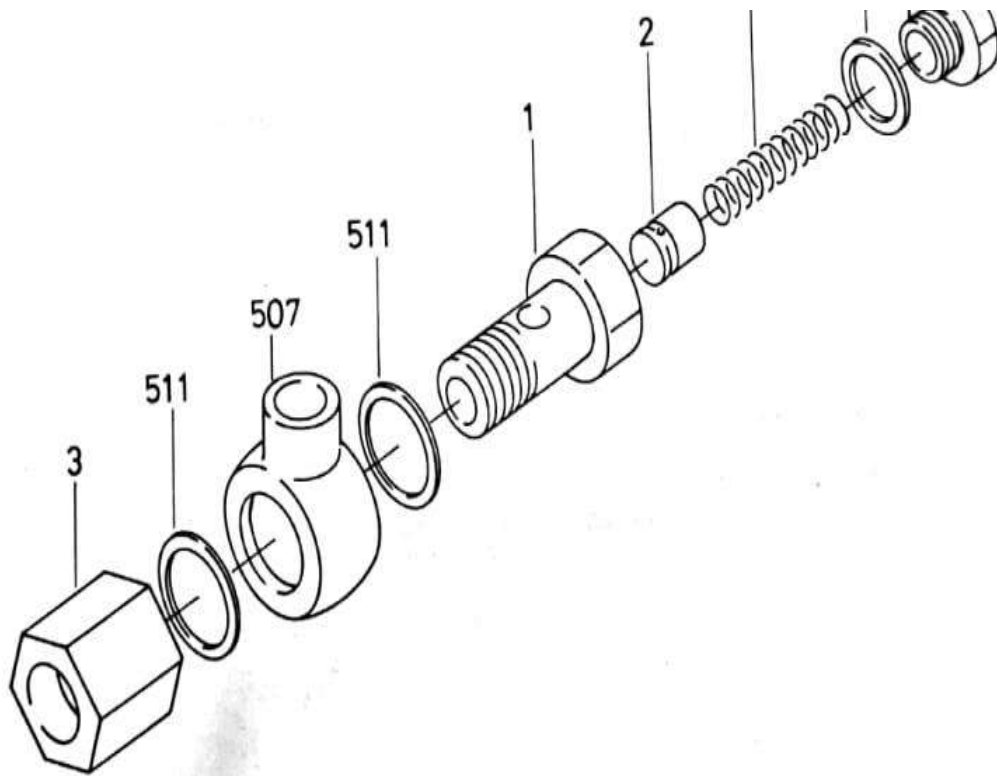
**DAIHATSU**

SECTION  
14  
SHEET  
130C

TYPE  
DK-28

NOZZLE COOLING OIL RELIEF VALVE  
ノズル冷却油調圧弁





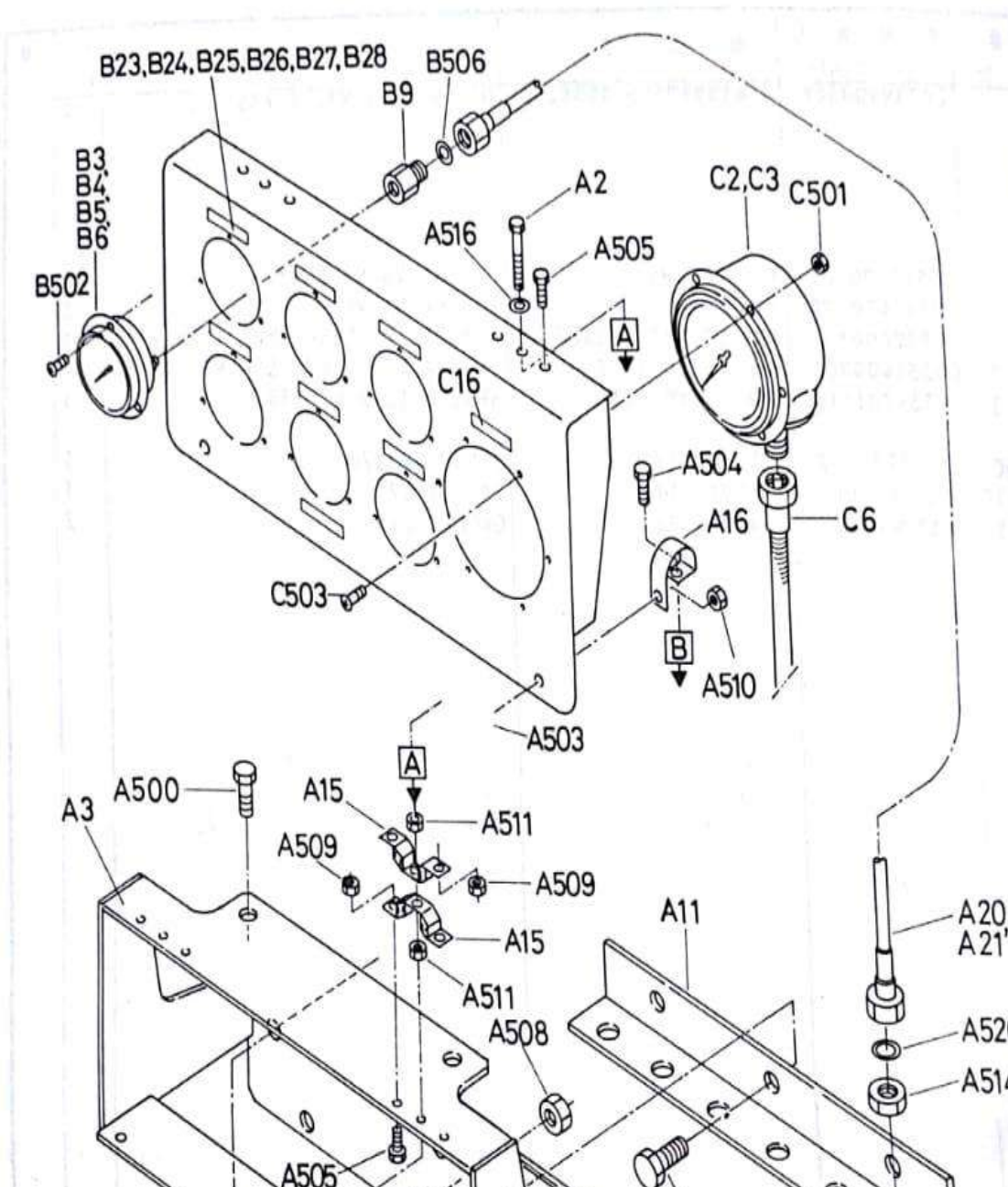
DK-28 Z 94-4 1801 9-2080

NOZZLE COOLING OIL RELIEF VALVE			TYPE DK - 28	SECTION 13 SHEET 131C
No.	Parts No.	Name Of Parts	Quantity	
	C033990030B	OIL RELIEF VALVE ASSY. 3		
1	C033940010Z	RELIEF VALVE BODY		
2	C033140070A	RELIEF VALVE		
3	C033940030Z	SPECIAL WELDING SEAT 1/2X22		
12	C033140080Z	CAP, SAFETY VALVE SPRING		

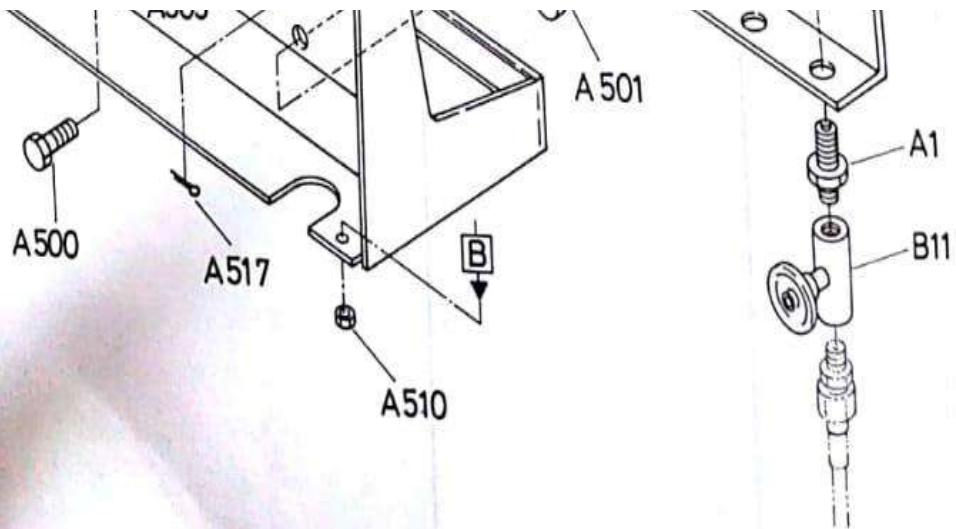
16	C033970151Z	SPRING 1.2X9 . 0X38	
507	Z545122040ZZ	BANJO 22X1/2	
510	Z565001700BZ	GASKET 17	
511	Z565002100BZ	GASKET 21	

**DAIHATSU**

SECTION 14	TYPE DK-28	GAUGE BOARD 計器板
SHEET 140		







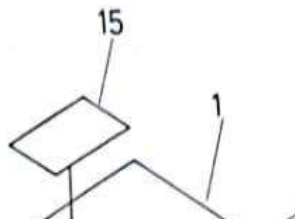
DK-28 Z 94-4 A...0300 B...0105 C...0200

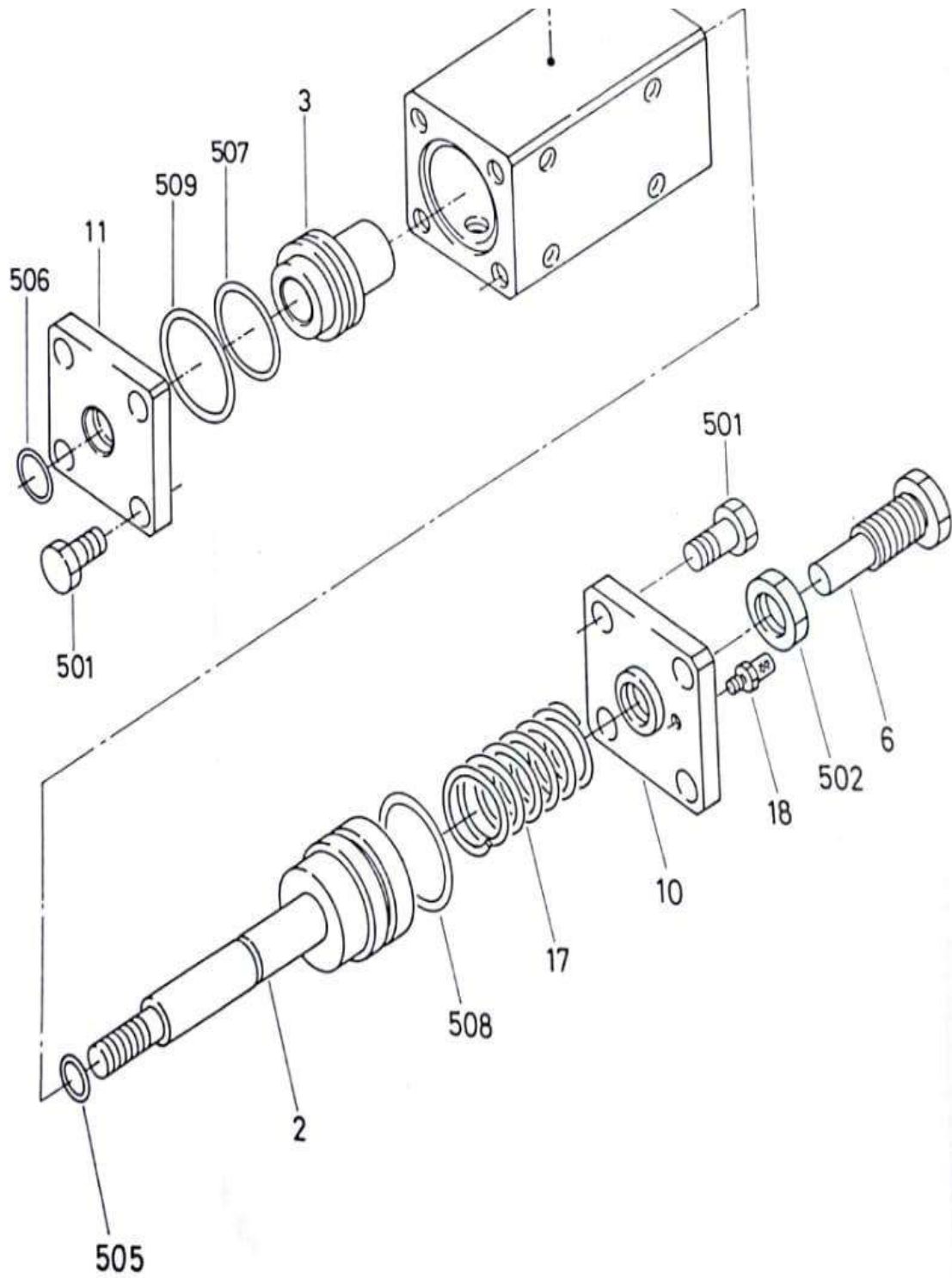
GAUGE BOARD			TYPE DK - 28	SECTION 13 SHEET 141
No.	Parts No.	Name Of Parts	Quantity	
A1	E213650250A	JOINT PF 3/8 - PT 1/4		
A12	C047040030Z	BOLT (M6X50) GAUGE BOARD		
A3	E293070030Z	BRACKET, GAUGE - 6		
A5	E293070050Z	GAUGE BOARD - 6		
A11	E293070110Z	COCK HOLDER (6PCS)		
A15	C047070240Z	CUSHION RUBBER (1)		
A16	C047070360Z	SPECIAL SPRING, GAUGE BOARD		
A20	Y190303210Z	HOSE 3/8X3X8X210		
A21	Y190303340Z	HOSE 3/8X3X8X340		
A500	X200012018ZZ	BOLT M12X1 . 75X18		
A501	X200012022ZZ	BOLT M12X1 . 75X22		
A503	X200006010ZZ	BOLT M6X1 . 0X10		
A504	X200006016ZZ	BOLT M6X1 . 0X16		
A505	X200006016ZZ	BOLT M6X1 . 0X16		
A508	X220012000ZZ	NUT M12X1.75		
A509	X220006000ZZ	NUT M6X1.0		
A510	X220006000ZZ	NUT M6X1.0		
A511	X220006000ZZ	NUT M6X1.0		
A514	X230303000ZZ	SPECIAL NUT (3) 3/8		
A516	Z300006000ZZ	FLAT WASHER 6		

A517	Z320001615ZZ	SPLIT PIN 1.6X15	
A520	Z665006000ZZ	GASKET 6	
B3	Y134020040Z	PRESS. GAUGE DU1 / 4X60X4	
B4	Y134020060Z	PRESS. GAUGE DU1 / 4X60X6	
B5	Y134220103Z	PRESS. GAUGE DU1 / 4X60X10 (23)	
B6	Y134020100Z	PRESS. GAUGE DU1 / 4X60X10	
B9	M153000060Z	P.G. CONNECTOR, 1/4X3/8	
B11	Y012350085Z	NEEDLE VALVE 10KBS 8	
B23	A506471462Z	NAME PLATE, LUB.OIL	
B24	A506471463Z	NAME PLATE, FUEL OIL	
B25	A506471464Z	NAME PLATE, BOOST AIR	
B26	A506471465Z	NAME PLATE, NOZZLE COOLING OIL	
B27	A506471581Z	NAME PLATE, JACKET C.W.	
B28	A506471587Z	NAME PLATE, TURBO CHARGER L.O.	
B502	X245204008ZZ	PAN MACHINE SCREW M4X0 . 7X8	
B506	Z665006000ZZ	GASKET 6	
<b>GAUGE BOARD</b>			<b>TYPE</b>
			<b>DK - 28</b>
			<b>SECTION 13</b>
			<b>SHEET 142</b>
<b>No.</b>	<b>Parts No.</b>	<b>Name Of Parts</b>	<b>Quantity</b>
C2	C061500131Z	TACOHMETER 100 (1) 2 : 1R1000	
C3	C061500132Z	TACOHMETER 100 (1) 2 : 1L1000	
C6	C061501932Z	FLEX. CABLE L = 700	
C10	A506471671Z	NAME PLATE, TACHOMETER	
C501	X220004000ZZ	NUT M4X0.7	
C503	X245204014ZZ	PAN MACHINE SCREW M4X0 . 7X14	

**DAIHATSU**

SECTION 14	TYPE DK-28	FUEL OIL SHUTDOWN & FUEL CONTROL PISTON DEVICE
SHEET 150		燃料遮断・抑制装置





DK-28	Z	94-4	0000
-------	---	------	------

**FUEL OIL SHUTDOWN & FUEL CONTROL  
PISTON DEVICE**

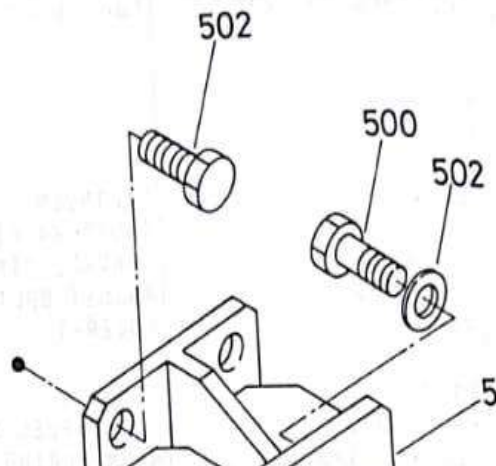
TYPE  
DK - 28

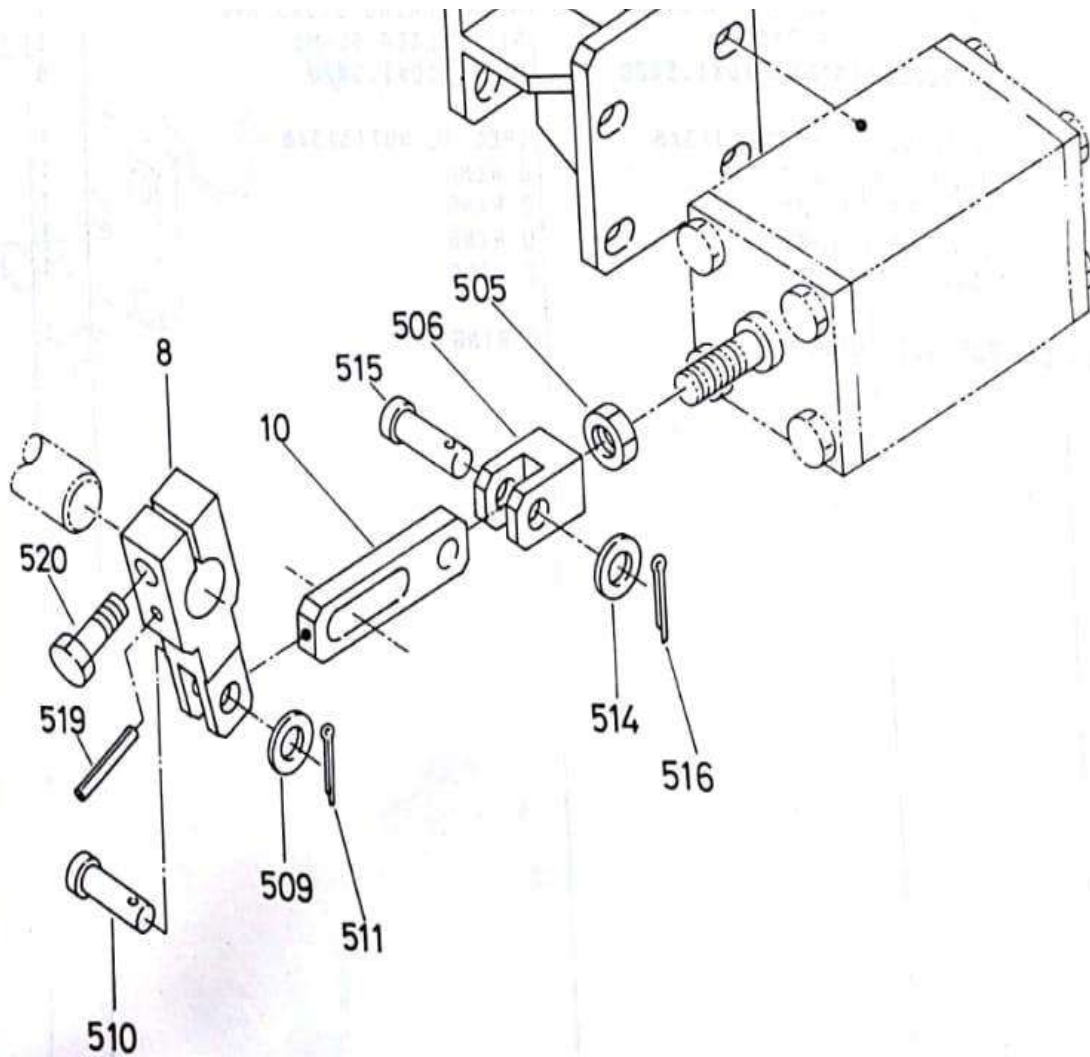
SECTION 13
SHEET 152

No.	Parts No.	Name Of Parts	Quantity
	S107909010Z	FUEL SHUTDOWN DEVICE G2	
1	S107900010Z	CYLINDER	
2	S107900020Z	SHUTDOWN PISTON	
3	S107900030Z	CONTROL PISTON	
6	S107900060Z	ADJUST BOLT	
10	S107900100Z	COVER - 1	
11	S107900110Z	COVER - 2	
15	A226570160Z	LABEL, FUEL SHUTDOWN DEVICE	
17	S107900170Z	MAIN SPRING 3.5X31X90	
18	S107900180Z	AIR FILTER SL - M5	
501	X200010020ZZ	BOLT M10X1.5X20	
502	X230303000ZZ	SPECIAL NUT (3) 3/8	
505	Z560102024ZZ	O RING	
506	Z560102435ZZ	O RING	
507	Z560104435ZZ	O RING	
508	Z560104935ZZ	O RING	
509	Z560205531ZZ	O RING	

**DAIHATSU**

SECTION 14	TYPE DK-28	FUEL OIL SHUTDOWN & FUEL OIL CONTROL PISTON DEVICE FITTING 燃料遮断・抑制装置取付
SHEET 160		





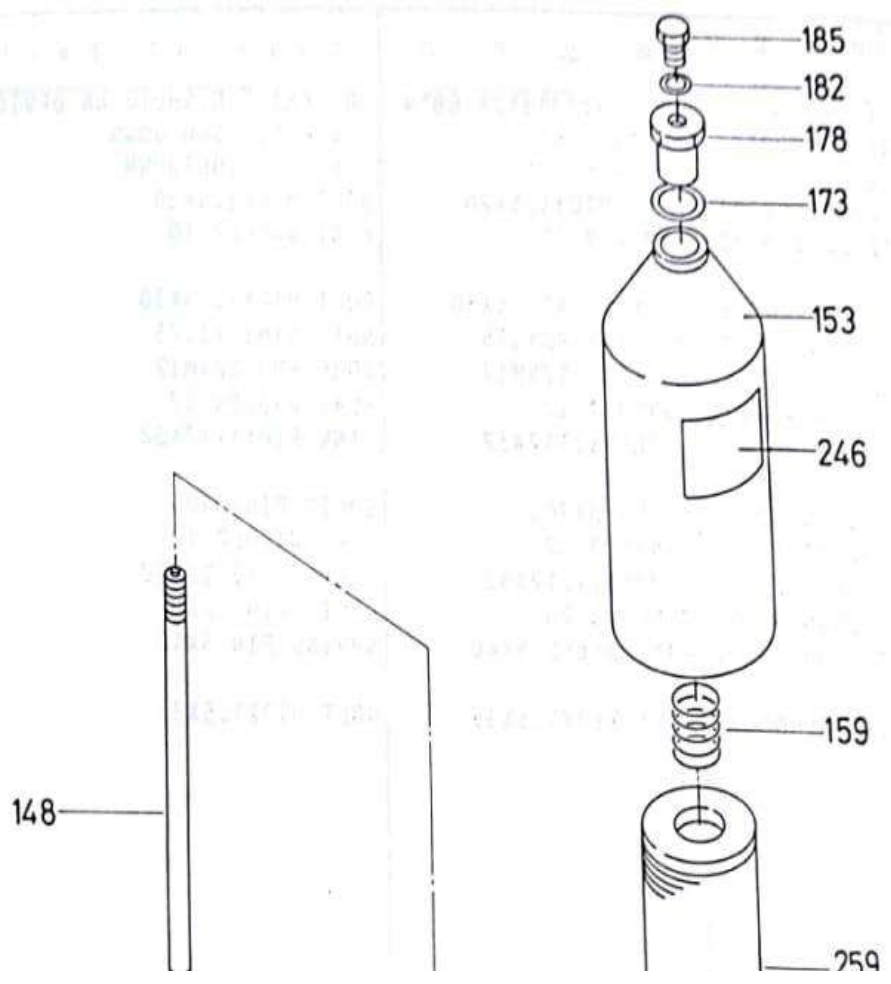
DK-28	Z	94-4	0102
-------	---	------	------

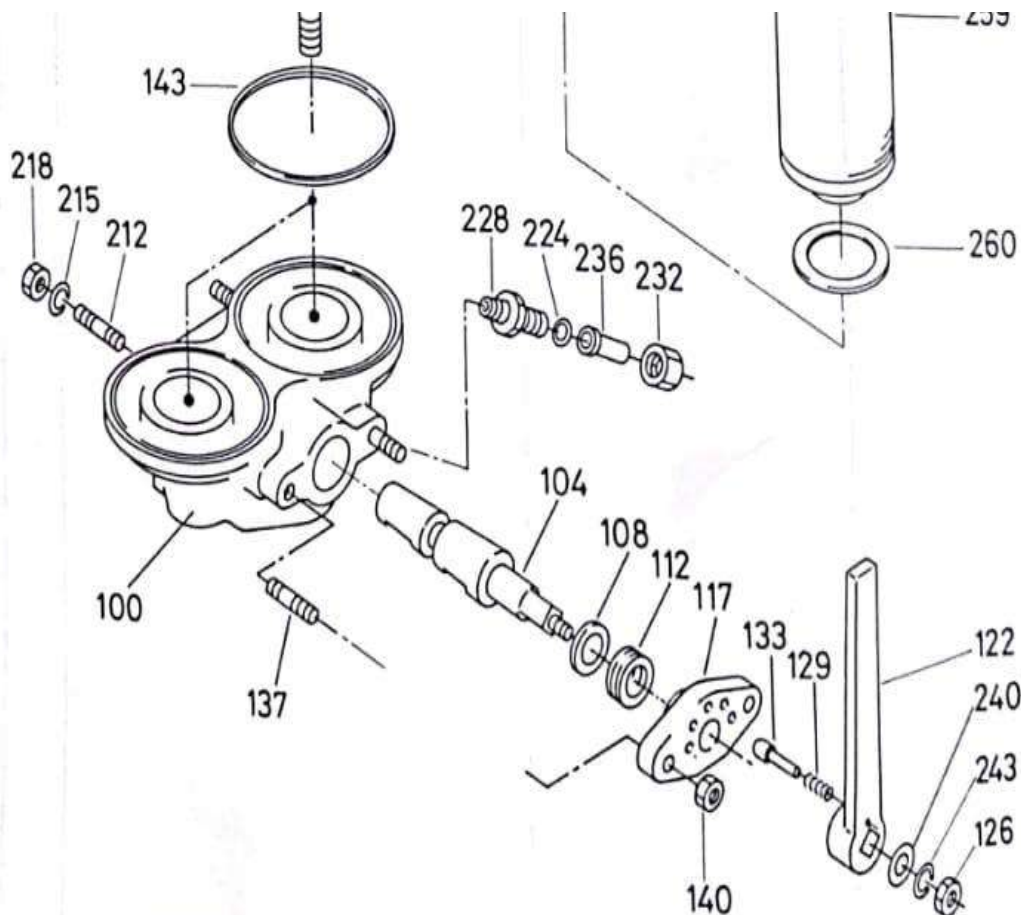
FUEL OIL SHUTDOWN & FUEL OIL CONTROL PISTON DEVICE FITTING			TYPE DK - 28	SECTION 13 SHEET 161
No.	Parts No.	Name Of Parts	Quantity	
5	E296070050A	BRACKET, F.O. SHUTDOWN DEVICE - G		
8	E2960700E0A	LEVER, F.O. SHUTDOWN		
10	E296070100A	LINK, F.O. SHUTDOWN		
500	X200010020ZZ	BOLT M10X1 . 5X20		
501	Z300010000ZZ	FLAT WASHER 10		

502	X200012030ZZ	BOLT M12X1 . 75X30	
505	X220312000ZZ	NUT (3) M12X1.75	
506	Z420012120ZZ	FORK END 12XM12	
509	Z300012000ZZ	FLAT WASHER 12	
510	Z425112032ZZ	LINK PIN (1) 12X32	
511	Z320003020ZZ	SPLIT PIN 3X20	
514	Z300012000ZZ	FLAT WASHER 12	
515	Z425112032ZZ	LINK PIN (1) 12X32	
516	Z320003020ZZ	SPLIT PIN 3X20	
519	Z415005040ZZ	SPRING PIN 5X40	
520	Z200010035ZZ	BOLT M10X1 . 5X35	

**DAIHATSU**

SECTION 14	TYPE DK-28	TURBOCHARGER (MET) LUBRICATING OIL FILTER 過給機 (MET) 潤滑油 淨器
SHEET 170		





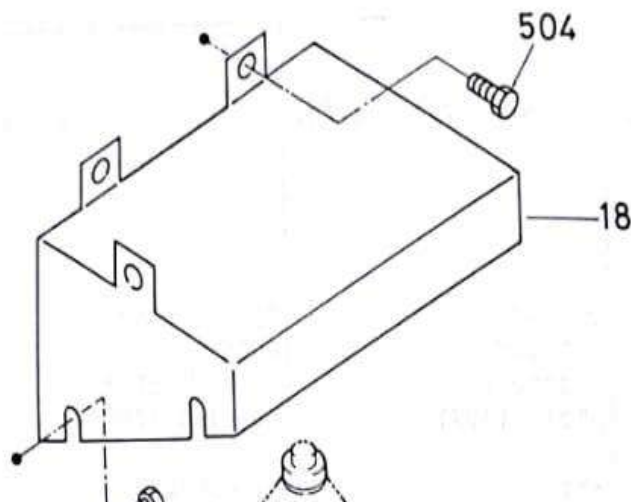
DK-28 | Z | 94-4 | 0302

TURBOCHARGER (MET) LUBRICATING OIL FILTER			TYPE DK - 28	SECTION 13 SHEET 171
No.	Parts No.	Name Of Parts	Quantity	
	C060500013A	FILTER 20XPL/FW50/1-X/ADZ		
100	C060501000Z	FILTER BODY		
104	Y529000011Z	COCK		
108	Y529000021Z	PACKING SEAT		
112	Y529000029Z	PACKING (COCK)		
117	Y529000042Z	COCK COVER		
122	Y529000053Z	HANDLE		
126	Y529000063Z	NUT (HANDLE)		
129	Y529000070Z	SPRING (NOTCH BAR)		
133	Y529000077Z	NOTCH BAR		
137	Y529000084Z	STUD		
140	Y529000092Z	NUT (COVER)		

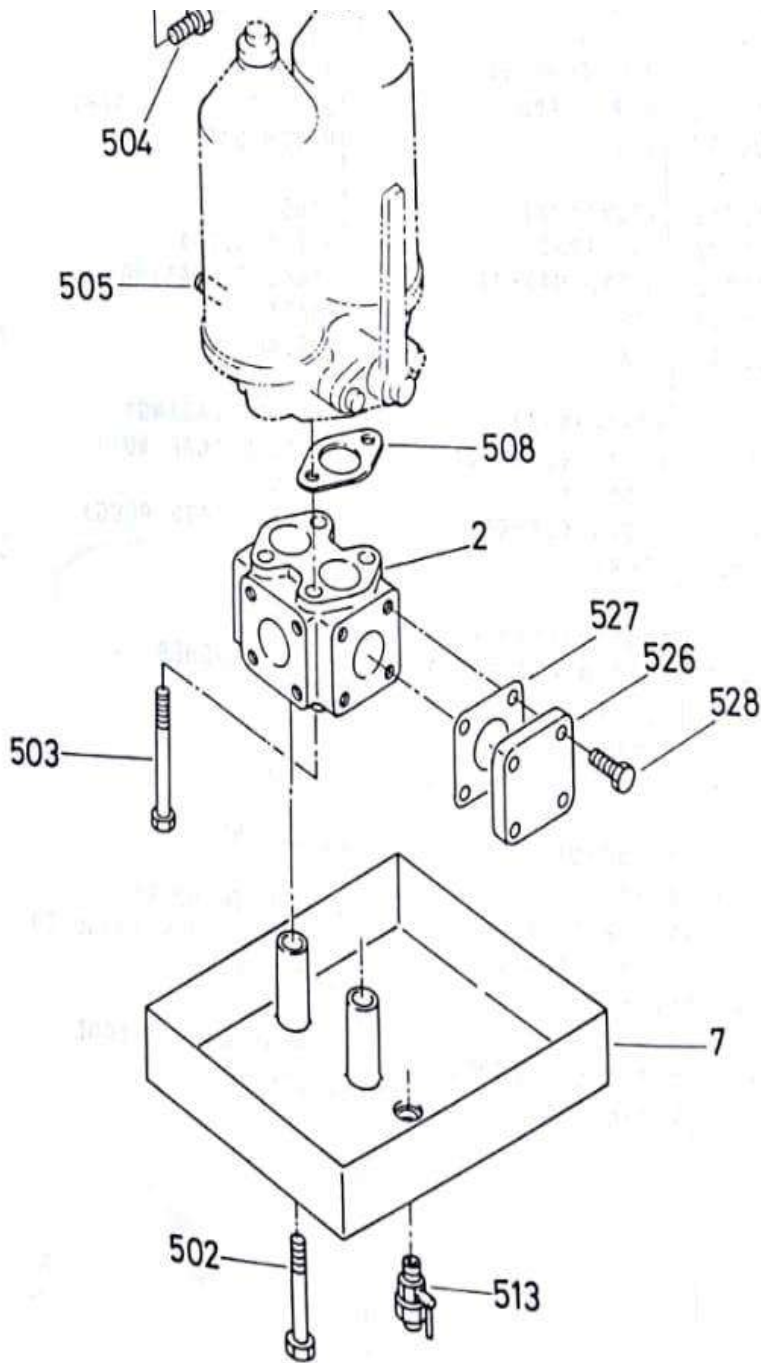
143	Y529000140Z	PACKING (CASING)	
148	Y529000114Z	SHAFT	
153	Y529000133Z	CASING	
159	Y529000148Z	SPRING (CASING)	
173	Y529000154Z	PACKING (CAP NUT)	
178	Y529000162Z	CAP UNIT	
182	Y529000170Z	PACKING (AIR PLUG)	
185	Y529000174Z	AIR PLUG	
212	Y529000216Z	STUD	
215	Y529000223Z	SPRING WASHER	
218	Y529000228Z	NUT	
224	Y529000237Z	PACKING	
228	Y529000241Z	NIPPLE	
232	Y529000250Z	SLEEVE UNIT	
236	Y529000255Z	SLEEVE	
240	Y529000260Z	WASHER (HANDLE)	
243	Y529000267Z	SPRING WASHER (HANDLE)	
246	Y529000272Z	NAME PLATE	
259	C060502590Z	ELEMENT ASSY. - 280ME	
260	Y529000306Z	PACKING	

**DAIHATSU**

SECTION 14	TYPE DK-28	TURBOCHARGER (MET) LUBRICATING OIL FILTER FITTING 過給機 (MET) 潤滑油濾器取付
SHEET 180		







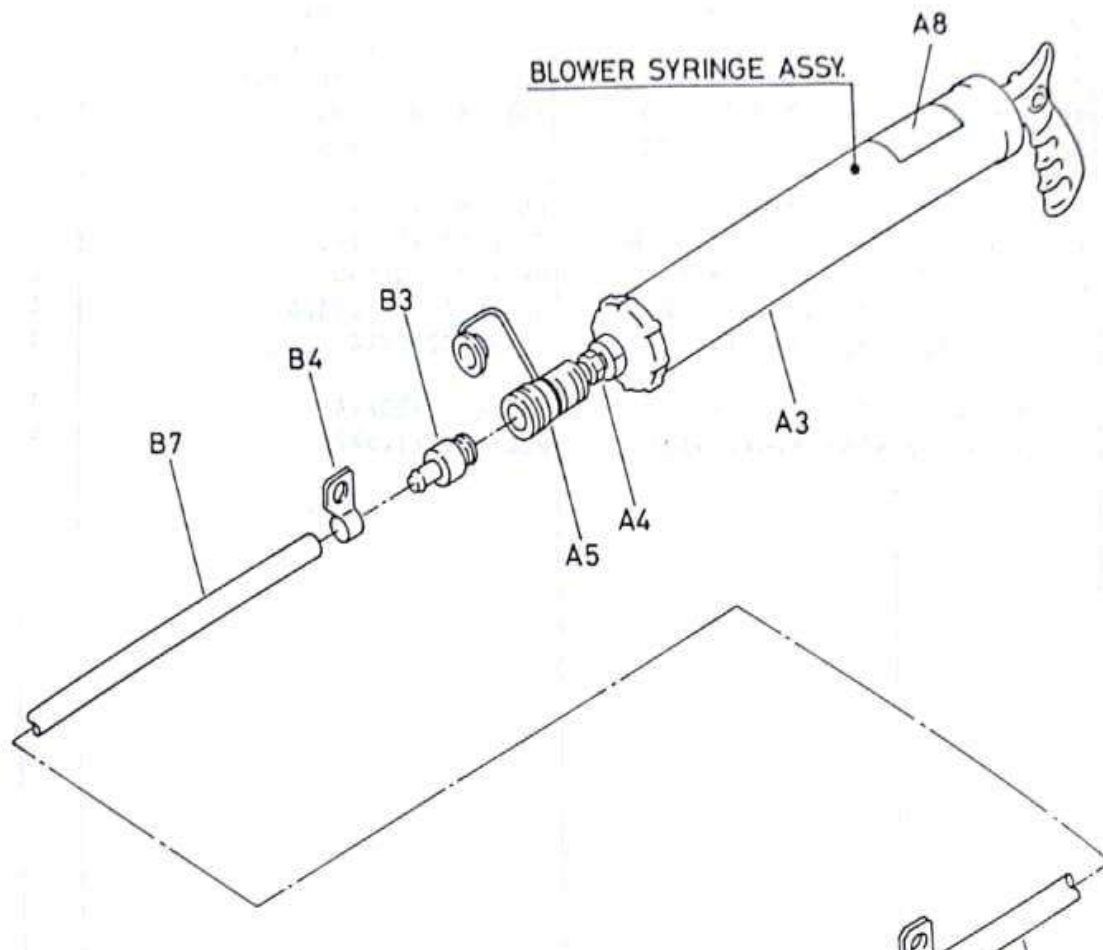
DK-28 Z 94-4 0200

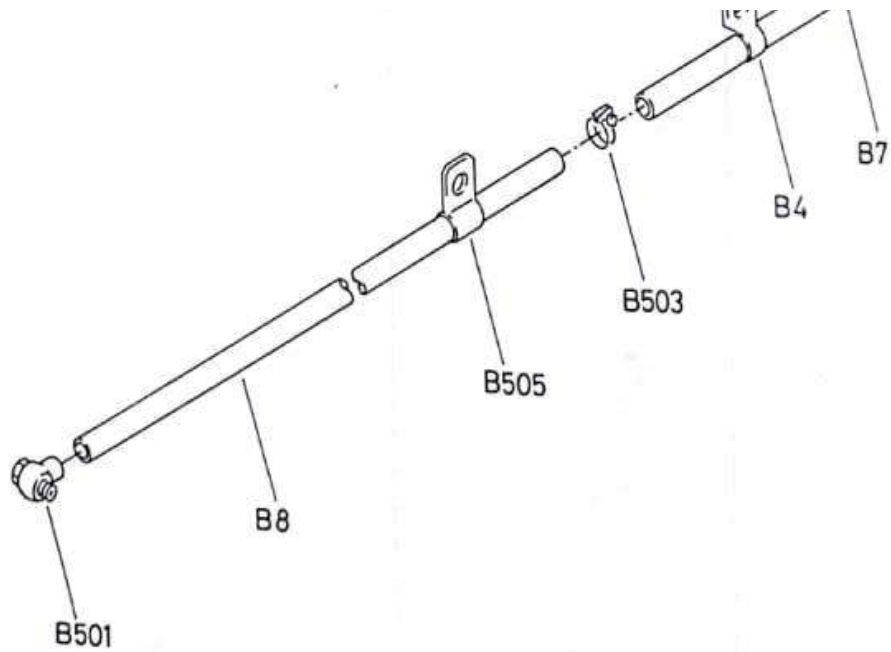
TURBOCHARGER (MET) LUBRICATING OIL FILTER FITTING			TYPE DK - 28	SECTION 13 SHEET 181
No.	Parts No.	Name Of Parts	Quantity	
2	A245012270Z	PIPING BLOCK (20X) - 2		
7	E294940070Z	SAUCER, L.O. FILTER		
18	E294970180Z	COVER, L.O. FILTER - 20X		
502	X200010070ZZ	BOLT M10X1 . 5X70		

503	X200010090ZZ	BOLT M10X1 . 5X90	
504	X200010020ZZ	BOLT M10X1 . 5X20	
505	X210010040ZZ	STUD M10X1.5X40	
508	Z541103060AZ	GASKET (1) 30X60	
513	Z580203000ZZ	DRAIN COCK (2) 0X44	
526	Z540200044ZZ	FLANGE (2) 0X44	
527	Z541203044AZ	GASKET (2) 30X44	
528	X200010028ZZ	BOLT M10X1 . 5X28	

**DAIHATSU**

SECTION 15	TYPE DK-28	BLOWER CLEANING PARTS
SHEET 10		ブロー洗浄部品



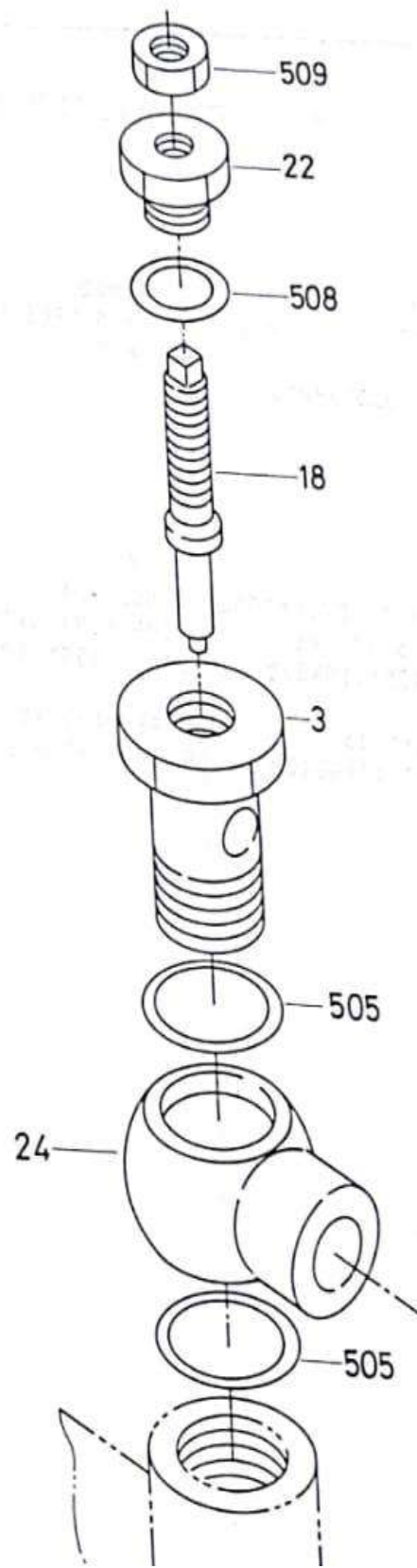


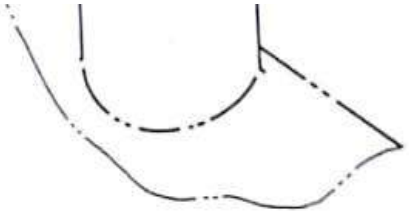
DK-28 | Z | 94-4 | A...0200 B...0700

BLOWER CLEANING PARTS			TYPE DK - 28	SECTION 13
				SHEET 11
No.	Parts No.	Name Of Parts	Quantity	
	C044090010Z	BLOWER SYRINGE ASSY.		
A3	C044070030Z	SYRINGE		
A4	C044070040A	HOSE NIPPLE PT1/4X11		
A5	C044070050A	SOCKET		
A8	A506470150Z	-		
B3	C044170030Z	PLUG		
B4	C044170040Z	CLUMP		
B7	C044170070Z	VINYL HOSE 10/14X1000		
B8	C044170080Z	PIPE 6.8/10X1000		
B501	X546110030JZ	BANJO ASSY. 10X3/8		
B503	Z584001500ZZ	HOSE BAND 15		
B505	Z585110003ZZ	PIPE SUPPORTER (1) 10 (3TYPE)		

**DAIHATSU**

SECTION 15	TYPE DK-28	TURBOCHARGER CLEANING NOZZLE タービン洗浄ノズル
SHEET 20C		



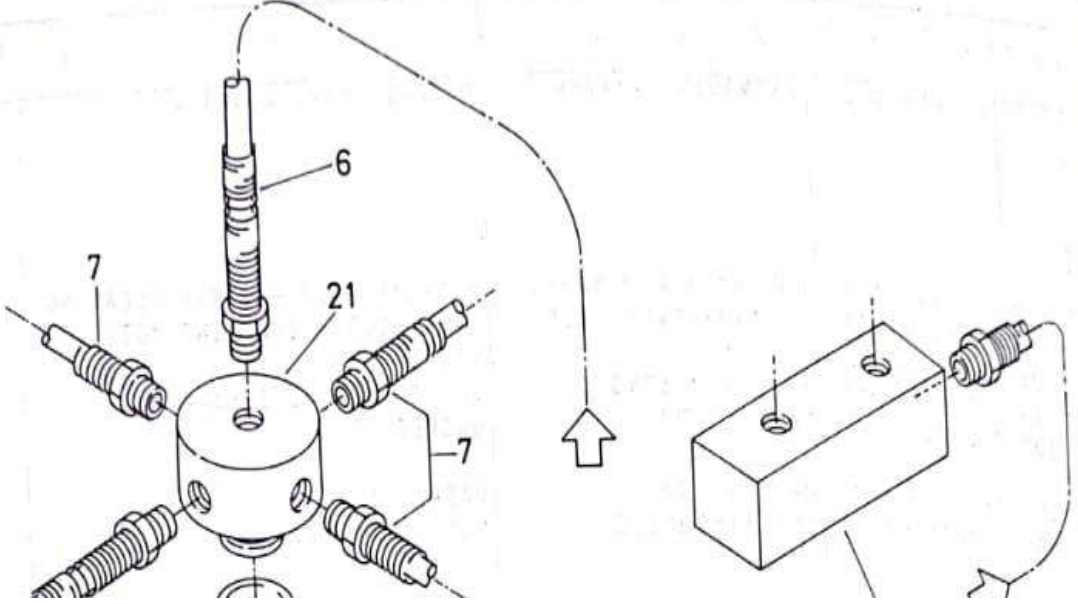


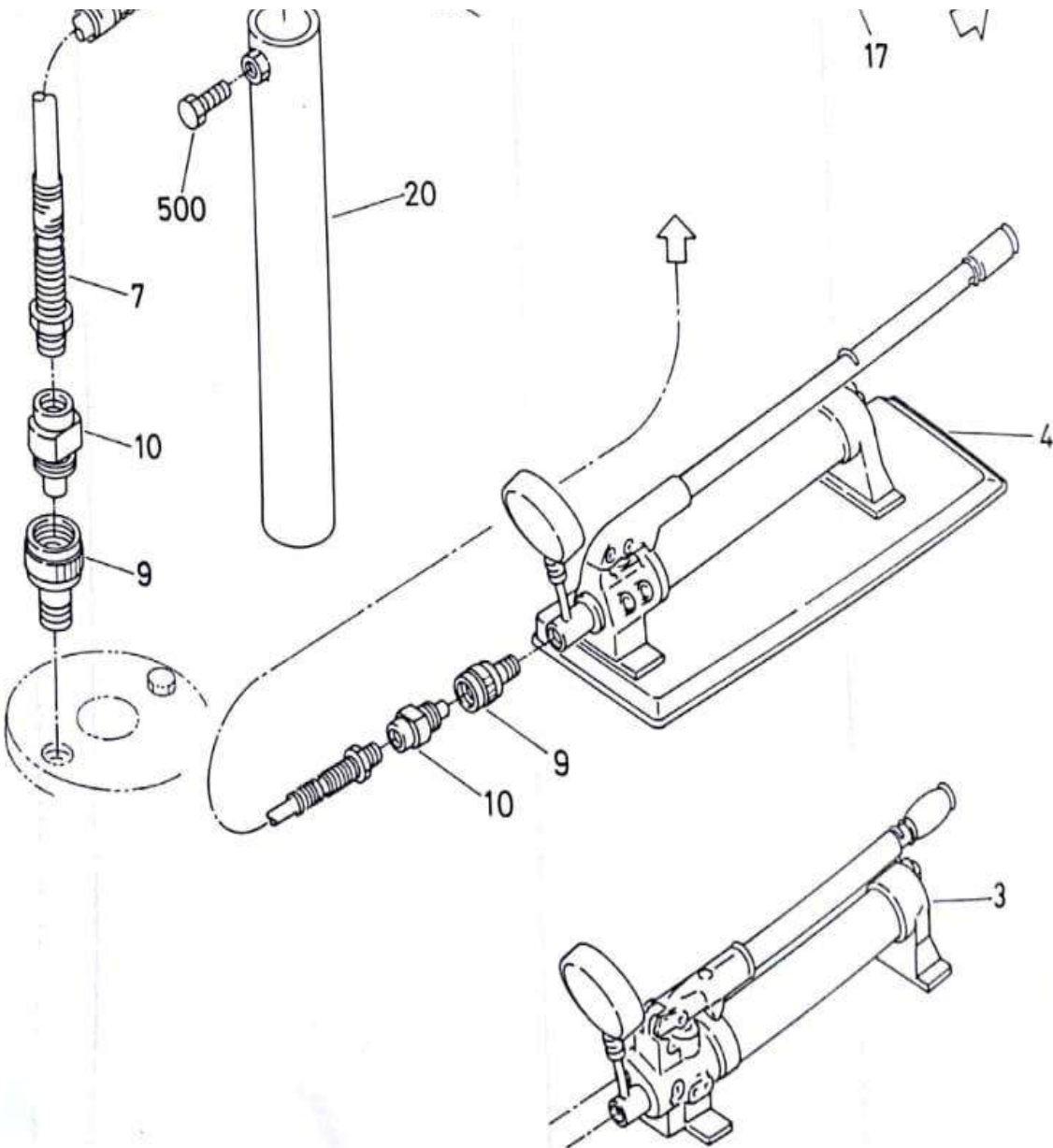
DK-28	Z	94-4	0100
-------	---	------	------

BLOWER CLEANING PARTS			TYPE DK - 28	SECTION 13 SHEET 11
No.	Parts No.	Name Of Parts	Quantity	
	A519190050A	NOZZLE ASSY. 2.5X3/4		
3	A519140013A	2.5X3/4 NOZZLE, T/C CLEANING		
18	A519140163A	VALVE - 2.5, CLEANING NOZZLE		
22	A519140220Z	VALVE SEAT		
24	A519140240Z	SPECIAL BANJO 15X3/4		
505	Z565002700ZZ	GASKET 27		
508	Z665016000ZZ	GASKET 16		
509	X220310000DZ	NUT (3)M10x1.5		

**DAIHATSU**

SECTION 16	TYPE DK-28	OIL PRESS. PUMP 油圧ポンプ
SHEET 10		





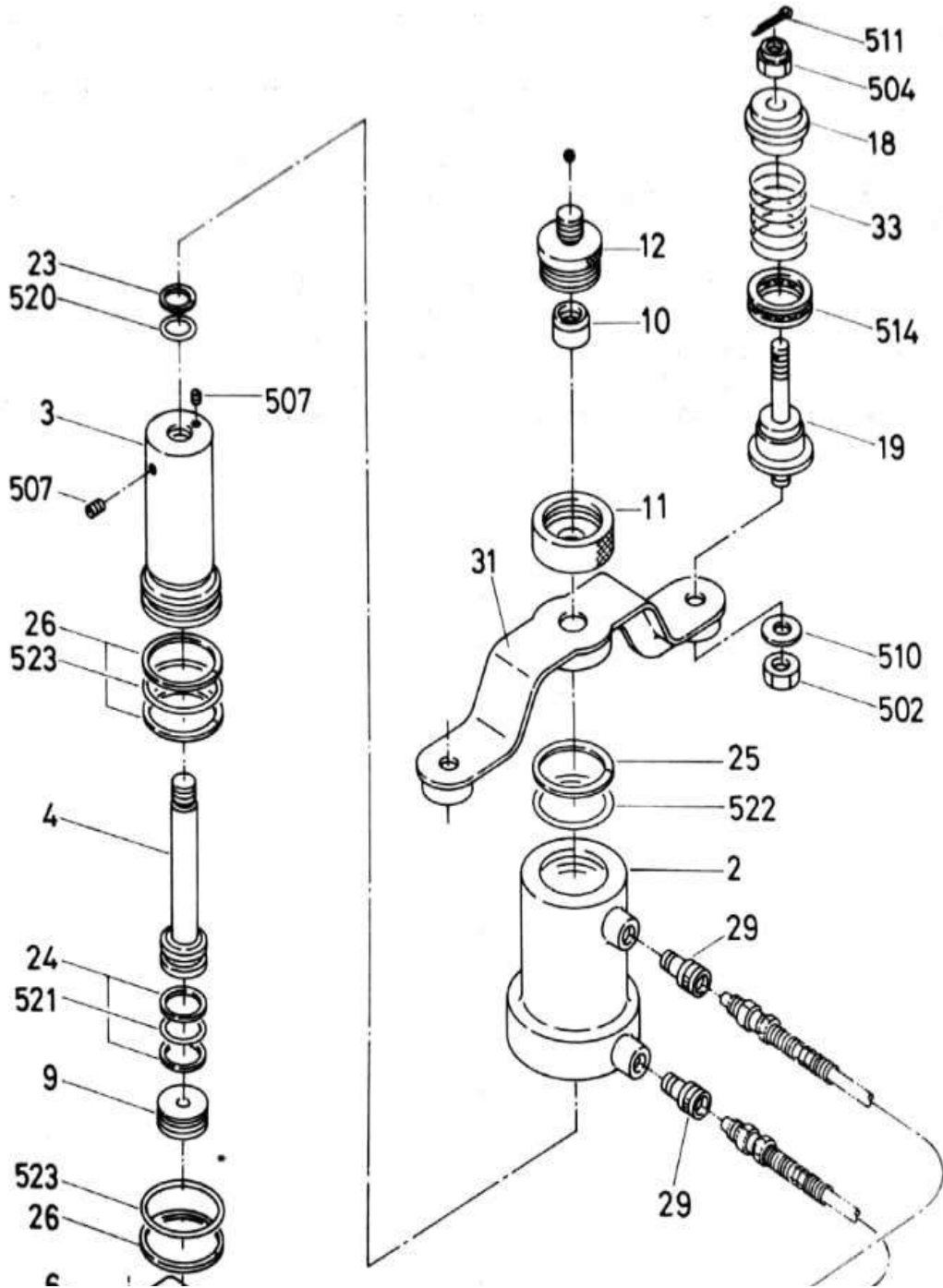
DK-28 | Z | 94-4 | 0800

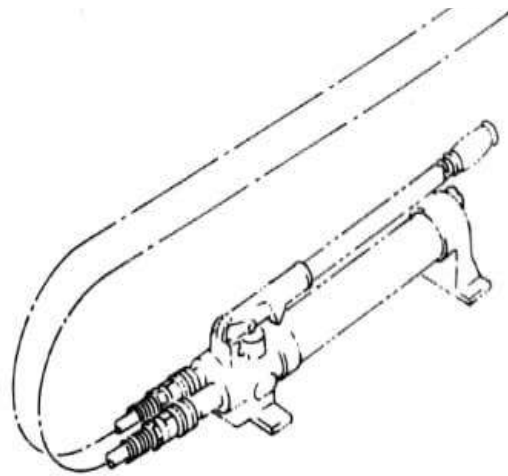
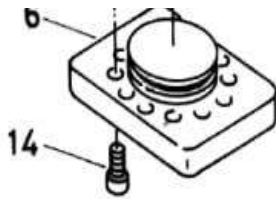
BLOWER CLEANING PARTS			TYPE	SECTION 13
			DK - 28	SHEET 11
No.	Parts No.	Name Of Parts	Quantity	
3	E339600030Z	OIL PRESS. PUMP		
4	E339600040A	OIL PRESS. PUMP		
6	E339600060B	HIGH PRESS. HOSE - 200		
7	E339600070A	HIGH PRESS. HOSE - 500		
9	E339600090Z	SOCKET COUPLING		
10	E339600100Z	PLUG COUPLING		
17	E339600170Z	TERMINAL (2T)		

20	E339600200Z	TERMINAL SUPPORT (6T)	
21	E339600210Z	TERMINAL (4T)	
500	X250108014ZZ	HEX. SET SCREW (1) M8X14	

**DAIHATSU**

SECTION 16	TYPE DK-28	OIL PRESS. RAM 油圧ラム
SHEET 20		





**DK-28** | **Z** | **94-4** | **0000**

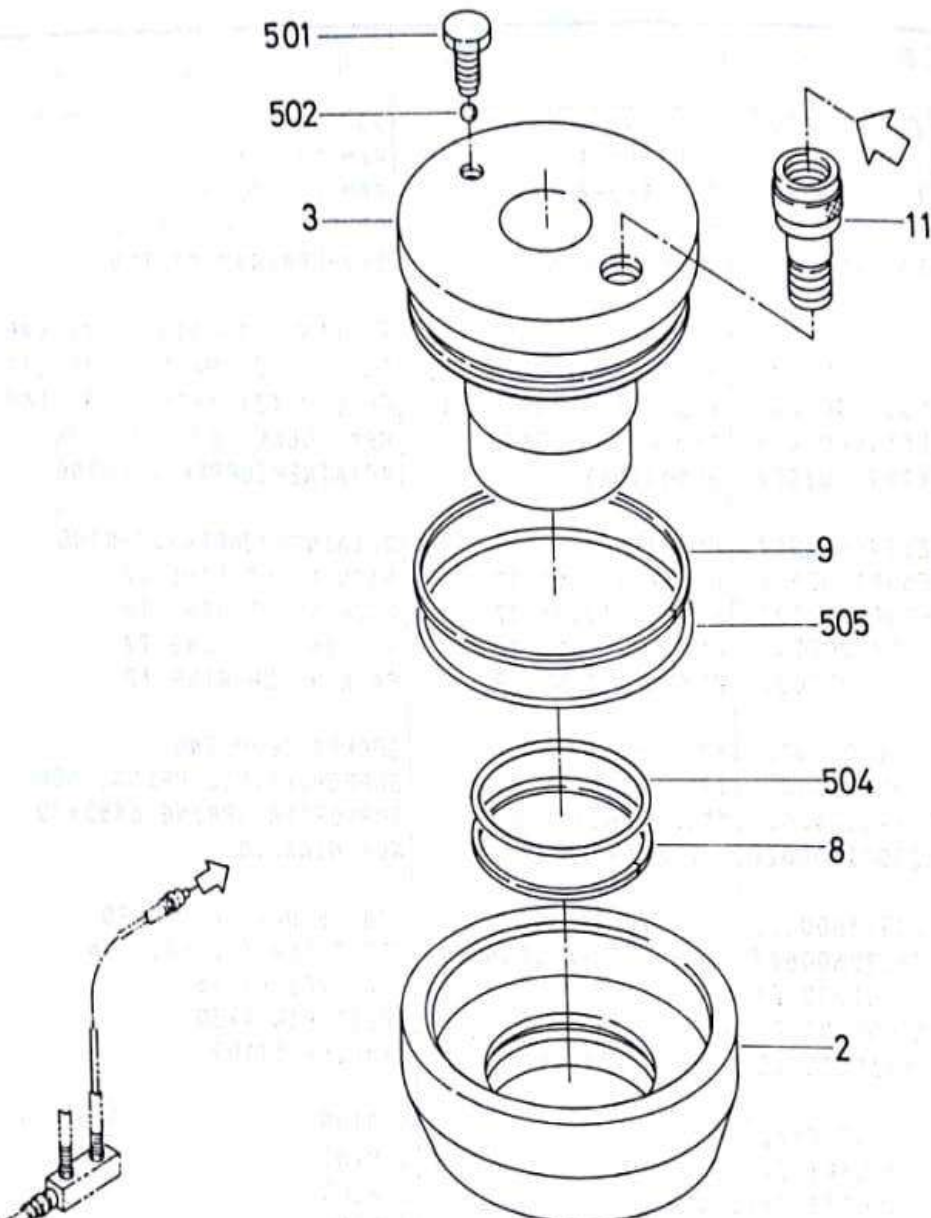
<b>OIL PRESS. RAM</b>			<b>TYPE</b>	<b>SECTION 13</b>
			<b>DK - 28</b>	<b>SHEET 11</b>
<b>No.</b>	<b>Parts No.</b>	<b>Name Of Parts</b>	<b>Quantity</b>	
2	E299470020Z	RAM CYLINDER		
3	E299470030Z	RAM PISTON - 1		
4	E299470040Z	RAM PISTON - 2		
6	E299470060Z	COVER, OIL PRESS. RAM		
9	E659400090Z	STOPPER, RAM PISTON		
10	E659400100Z	PULLER (1), MAIN METAL CAP		
11	E659400110Z	PULLER (2), MAIN METAL CAP		
12	E659400120Z	PULLER (3), MAIN METAL CAP		
14	E659400140Z	HEX. SOCKET BOLT M12X28		
18	E299470180Z	RETAINER (UPPER), SPRING		
19	E659400190Z	RETAINER (UNDER), SPRING		
23	E659400230Z	BACKING - UP RING T2		
24	E659400240Z	BACKING - UP RING T2		
25	E659400250Z	BACKING - UP RING T2		
26	E659400260Z	BACKING - UP RING T2		
29	E339600090Z	SOCKET COUPLING		
31	E299470310Z	SUPPORTER, OIL PRESS. JACK		
33	E659400400Z	SUPPORTER SPRING 6X55X70		
502	X220016000ZZ	NUT M16X2.0		
504	X225216000ZZ	CASTLE NUT (2) M16X20		
507	X251206006ZZ	SET SCREW (2) M6X1 . 0X6		
510	Z300016000ZZ	FLAT WASHER 16		

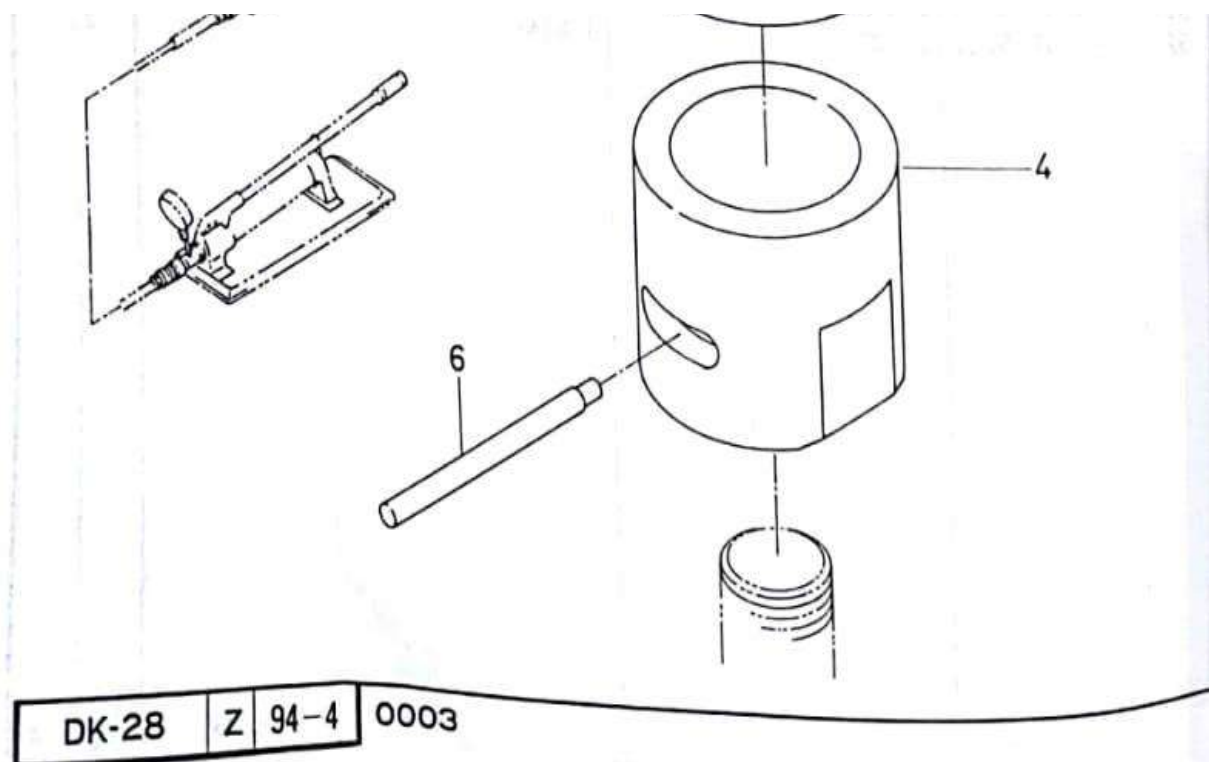


511	Z320004030ZZ	SPLIT PIN 4X30	
514	Z457151109ZZ	BEARING 51109	
520	Z560102524ZZ	O RING	
521	Z560109395ZZ	O RING	
522	Z560106757ZZ	O RING	
523	7560107557ZZ	O RING	

**DAIHATSU**

SECTION 16	TYPE DK-28	OIL PRESS. JACK (HEAD) 油圧ジャッキ(ヘッド)
SHEET 30		





OIL PRESS. JACK (HEAD)			TYPE DK - 28	SECTION 13
				SHEET 31
No.	Parts No.	Name Of Parts	Quantity	
2	E299570020Z	JACK CYLINDER (125/75)		
3	E299570030Z	JACK PISTON (125/75)		
4	E299570040Z	JACK STAND (HEAD)		
6	E339500140A	JACK HANDLE		
8	E299570080Z	BACKUP RING T2		
9	E299570090Z	BACKUP RING T2		
11	E339600090Z	SOCKET COUPLING		
501	X250110018ZZ	HEX. SET SCREW (1) M10X18		
502	Z445002000ZZ	BALL 1/4		
504	Z560207531ZZ	O RING		
505	Z560212031ZZ	O RING		































































































































































































































































